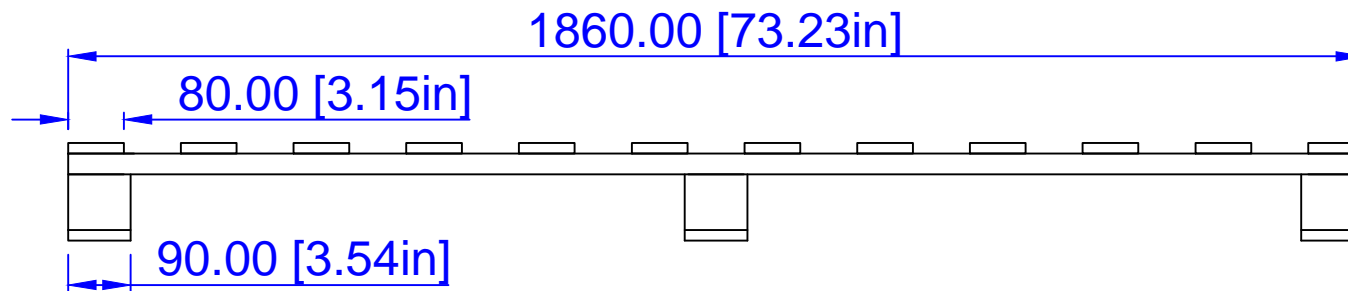


End view



Side view

REVISED BY: Lina.L  
REVISED DATE:

PAGE NO:

**dassoXTR**  
Fused Bamboo® for Exterior Use

6060 Boat Rock Blvd SW  
Atlanta, GA 30336  
www.dassoxtf.com  
Tel: 1-404-691-6872

PRODUCT: Wood Pallet Type 1120

TITLE: Wood Pallet Type 1120

DRAWN BY: Lina.L DATE: Jan 01, 2018

SCALE: 1:1

CONTACT: 1-404-691-6872

FILE: EPC-DK20-G1-PP.DWG

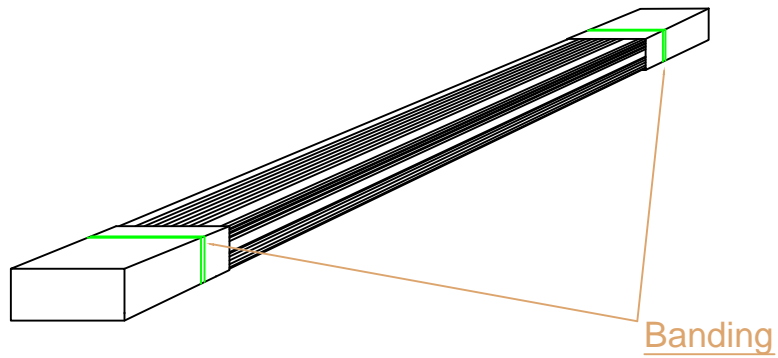
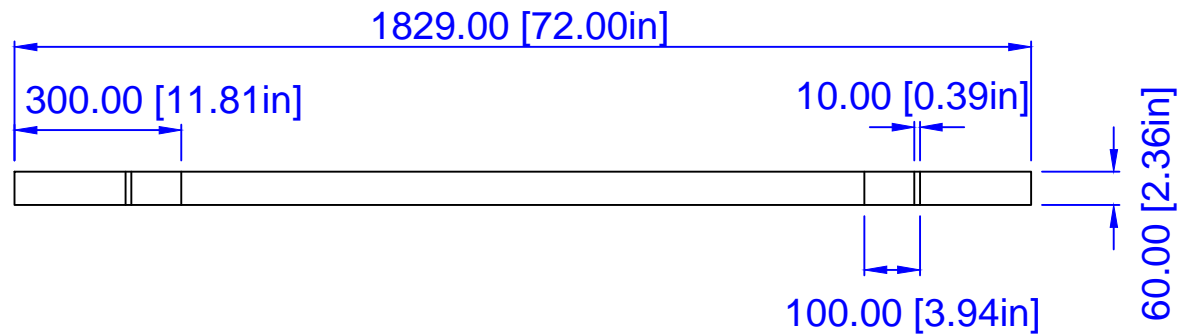
PRINTED:

Thickness tolerance: ±1mm

Width tolerance: ±1mm

length tolerance: ±1mm

SAP V:  
dasso XTR



REVISED BY: Lina.L  
REVISED DATE:

PAGE NO:



6060 Boat Rock Blvd SW  
Atlanta, GA 30336  
www.dassoxt.com  
Tel: 1-404-691-6872

PRODUCT: EPC-DK20-G1-PP starter & boarder decking plank : 20mm x 137mm

TITLE: Bundle Dimension

DRAWN BY: Lina.L DATE: Jan 01, 2018

SCALE: 1:1

CONTACT: 1-404-691-6872

FILE: EPC-DK20-G1-PP.DWG

PRINTED:

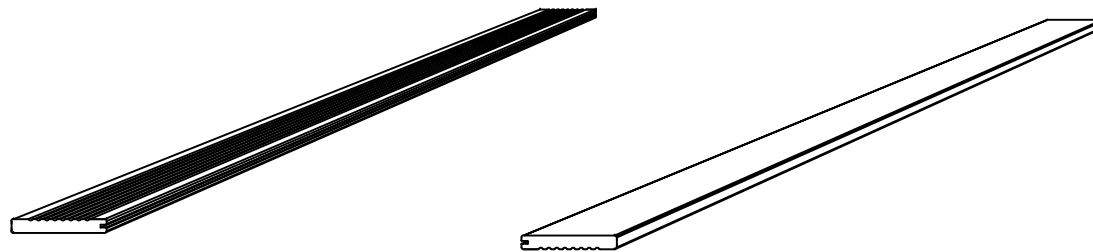
Thickness tolerance: ±0.2mm

Width tolerance: ±0.2mm

length tolerance: ±1mm

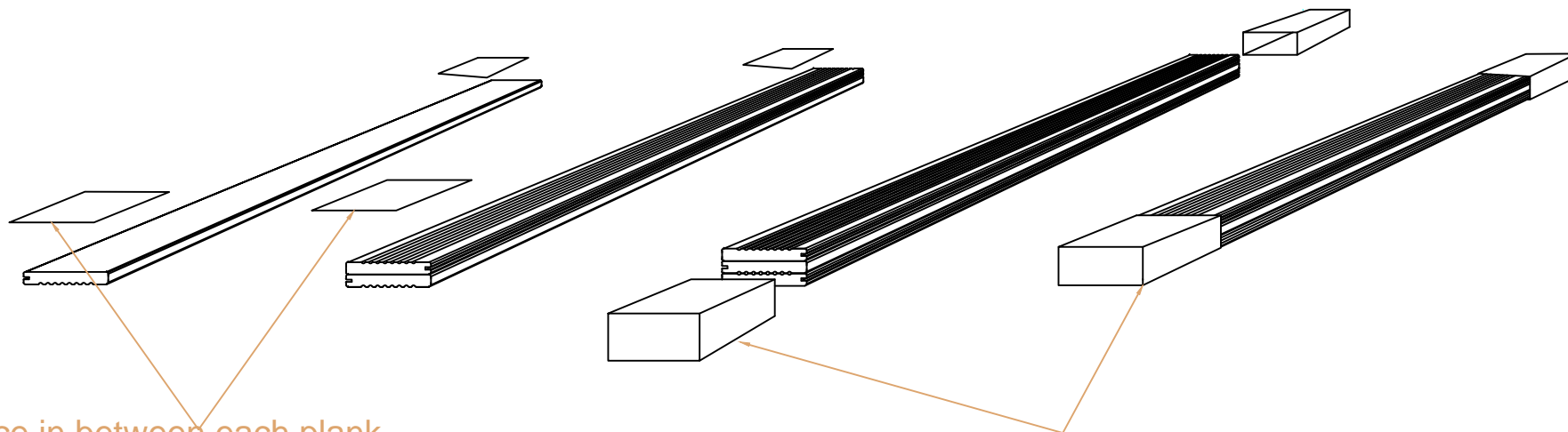
SAP V:

dasso XTR



Front view

Back view



Place in between each plank

Paper sleeves: place on each end of the bundle

REVISED BY: Lina.L  
REVISED DATE:

PAGE NO:



6060 Boat Rock Blvd SW  
Atlanta, GA 30336  
www.dassoxt.com  
Tel: 1-404-691-6872

PRODUCT: EPC-DK20-G1-PP starter & boarder decking plank : 20mm x 137mm

TITLE: Decking Bundle Package Layout

DRAWN BY: Lina.L DATE: Jan 01, 2018 SCALE: 1:1 CONTACT: 1-404-691-6872

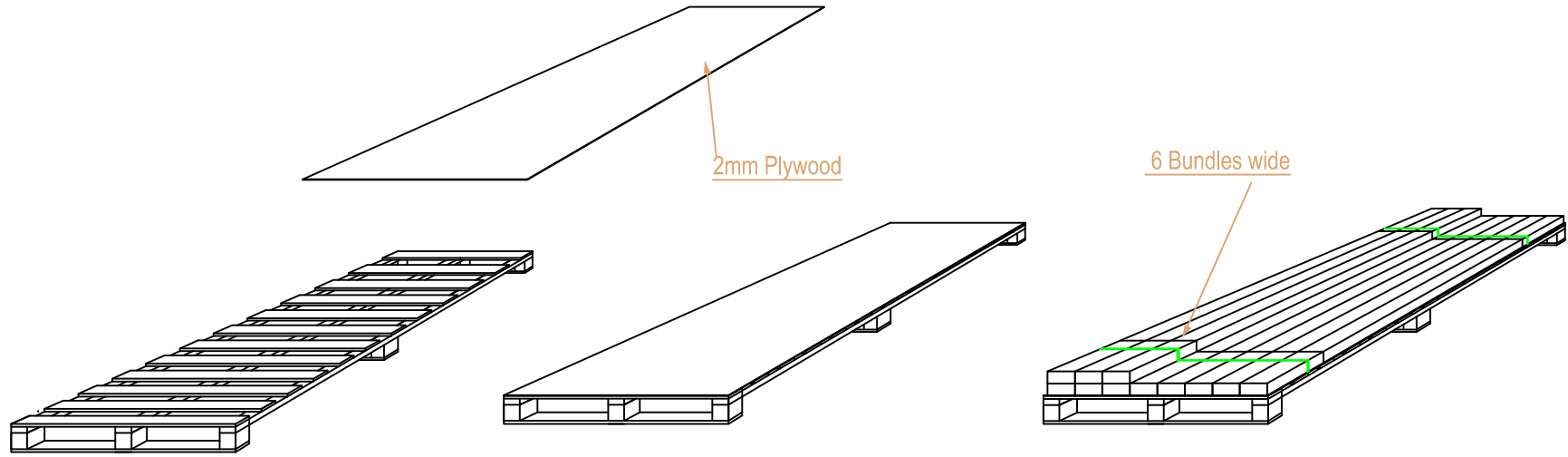
FILE: EPC-DK20-G1-PP.DWG

Thickness tolerance:  $\pm 0.2\text{mm}$

Width tolerance:  $\pm 0.2\text{mm}$

length tolerance:  $\pm 1\text{mm}$

SAP V:  
dasso XTR

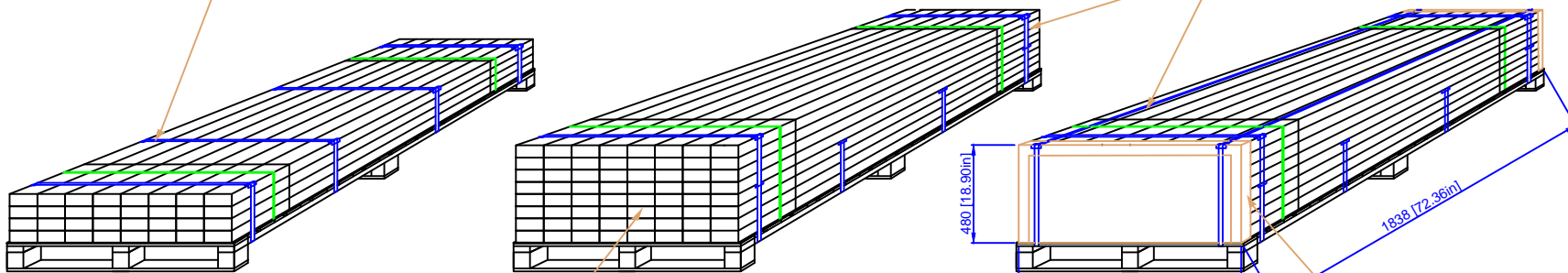


2mm Plywood

6 Bundles wide

There are 4 band in the middle of the pallet

There are 4 belts out of the pallet: before packaging the 4 belts, the wrap film is at least three layers and ensure full of the decking.



Layout: 8 rows x 8 layers

Corner guard on each corner

REVISOR: Lina.L  
REVISION: 1

PAGE NO:



6060 Boat Rock Blvd SW  
Atlanta, GA 30336  
www.dassoxttr.com  
Tel: 1-404-691-6872

PRODUCT: EPC-DK20-G1-PP starter & boarder decking plank: 20mm x 137mm

TITLE: Pallet Layout

DRAWN BY: Lina.L DATE: Jan 01, 2018

SCALE: 1:1

CONTACT: 1-404-691-6872

FILE: EPC-DK20-G1-PP.DWG

PRINTED:

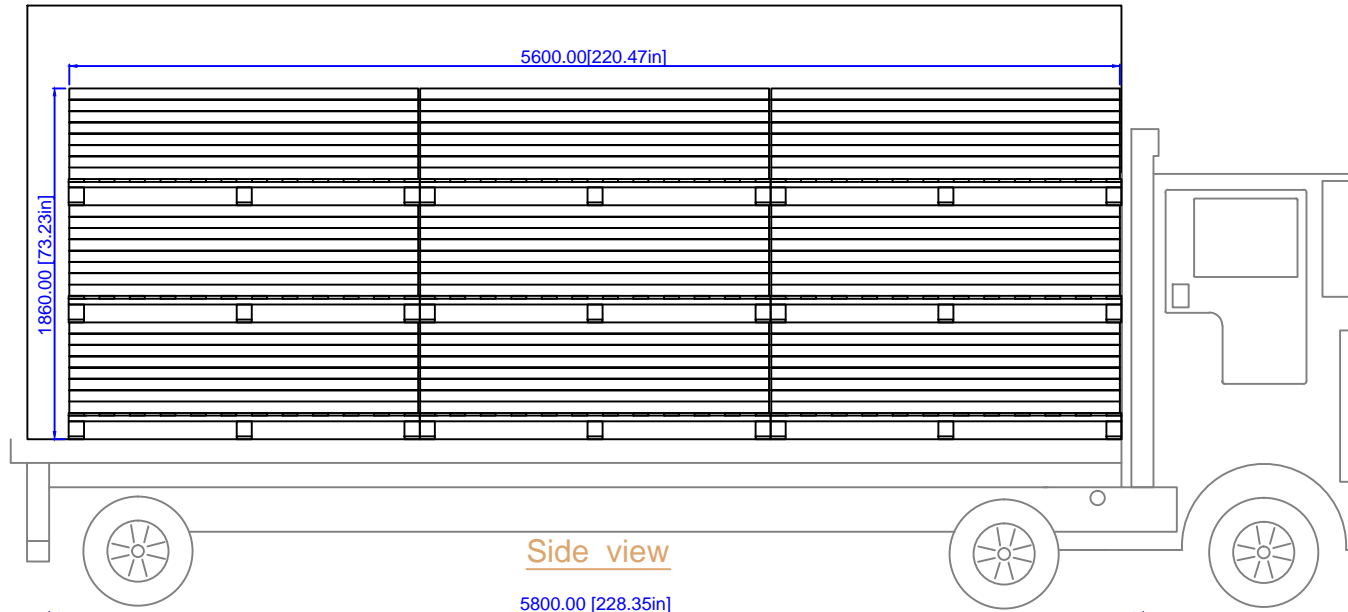
Thickness tolerance: ±1mm

Width tolerance: ±1mm

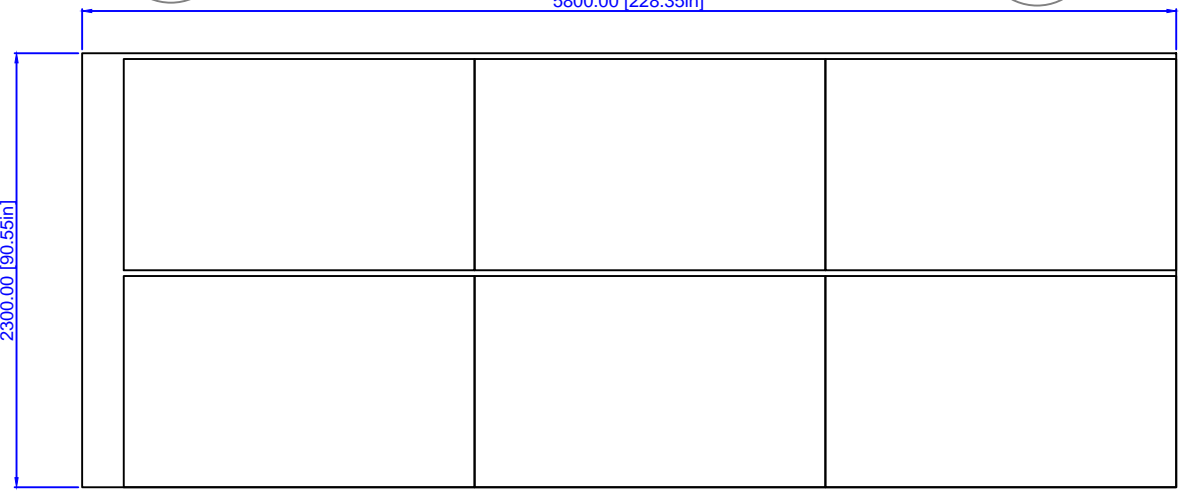
length tolerance: ±1mm

SAP V:

dasso XTR

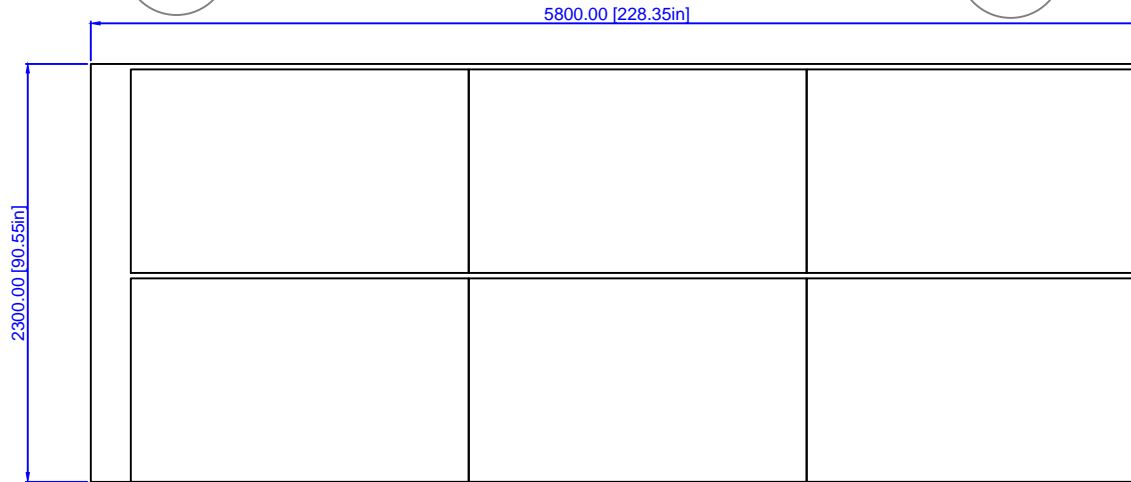
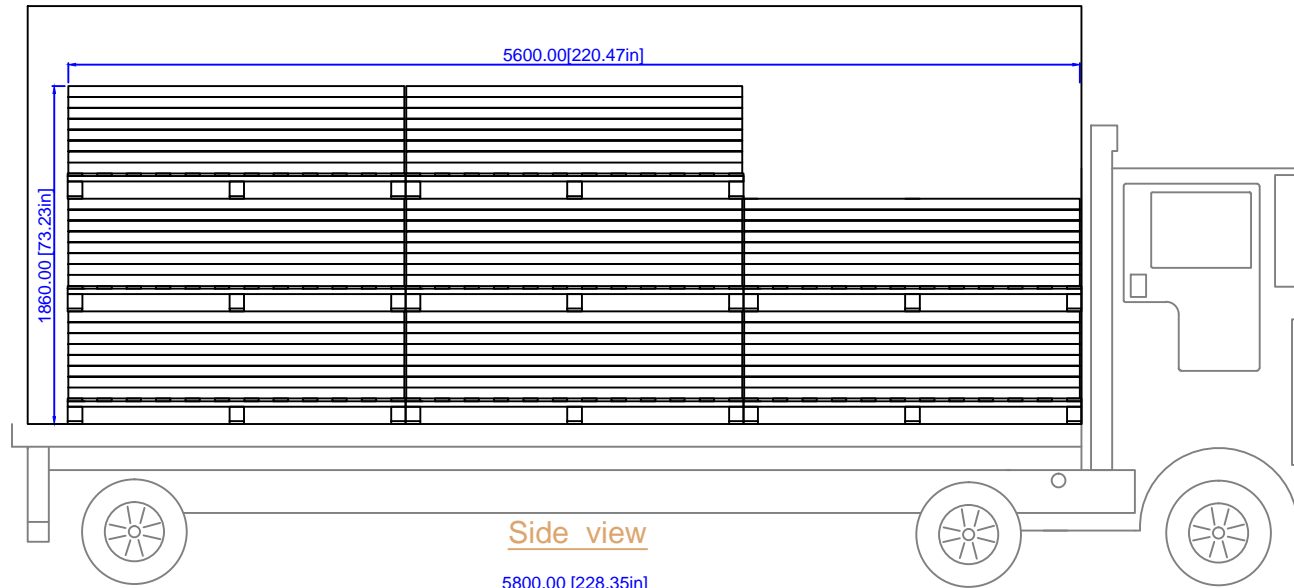


Side view



Top view

REVISED BY: Lina.L REVISED DATE:	REVISION:	PAGE NO.:	<b>dassoXTR</b> <i>Fused Bamboo® for Exterior Use</i> <small>6960 Boat Rock Blvd SW          Atlanta, GA 30336  <a href="http://www.dassoxtf.com">www.dassoxtf.com</a>          Tel: 1-404-691-6872</small>	PRODUCT: EPC-DK20-G1-PP starter & boarder decking plank: 20mm x 137mm TITLE: 20' Container Loading—18 Pallet Max DRAWN BY: Lina.L    DATE: Jan 01, 2018    SCALE: 1:1    CONTACT: 1-404-691-6872 FILE: EPC-DK20-G1-PP.DWG	Dimensions: Interior
SAP V: dasso XTR					



REVISED BY: <b>Lina.L</b> <small>REVISED DATE:</small>	REVISE ON: 	PAGE NO.:	<b>dassoXTR</b> <i>Fused Bamboo® for Exterior Use</i> <small>690 Boat Rock Blvd SW          Atlanta, GA 30336  <a href="http://www.dassoxtf.com">www.dassoxtf.com</a>          Tel: 1-404-691-6872</small>	<b>PRODUCT:</b> EPC-DK20-G1-PP starter & boarder decking plank : 20mm x 137mm <b>TITLE:</b> 20' Container Loading—17 Pallet	<b>Dimensions:</b> Interior
SAP V: <b>dasso XTR</b>				<b>DRAWN BY:</b> Lina.L <b>DATE:</b> Jan 01, 2018 <b>SCALE:</b> 1:1 <b>CONTACT:</b> 1-404-691-6872 <b>FILE:</b> EPC-DK20-G1-PP.DWG <b>PRINTED:</b>	