

REVISED BY: Lina.L	REVISE ON:	PAGE NO.:
REVISED DATE:		
SAP V.:	dasso XTR	



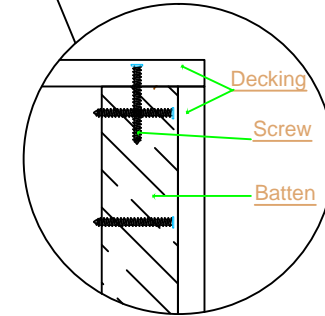
PRODUCT: EPC-DK20-G2-PP decking plank: 20mm x 137mm			Thickness tolerance: ±0.2mm
TITLE: Decking Installation			Width tolerance: ±0.2mm
DRAWN BY: Lina.L DATE: Jan 01, 2018 SCALE: 1:1 CONTACT: 1-404-691-6872			length tolerance: ±1mm
FILE: EPC-DK20-G2-PP.DWG			PRINTED:

Min 152.4 [6.00in]

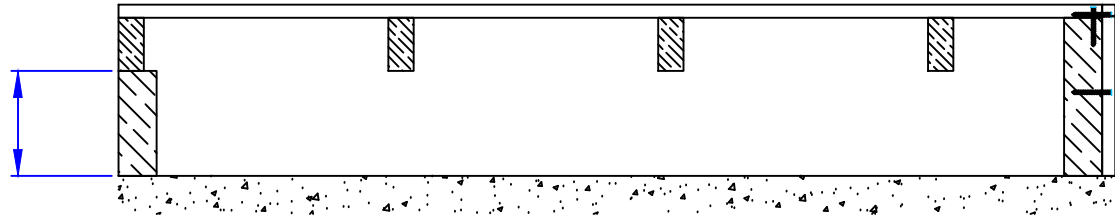
406.40 [16.00in]



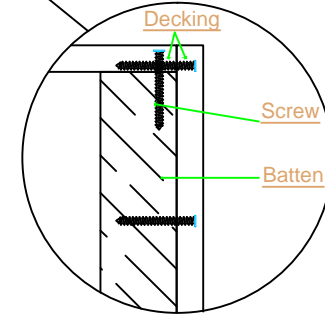
Option A



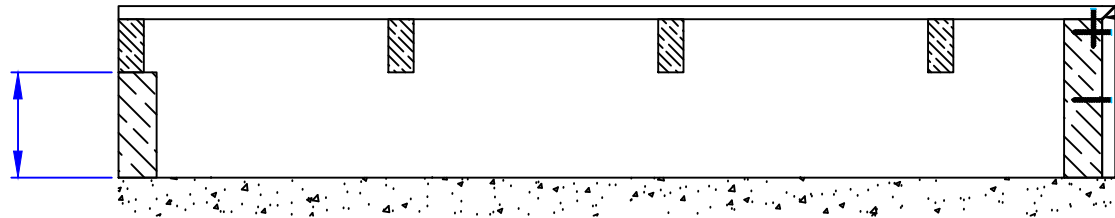
Min 152.4 [6.00in]



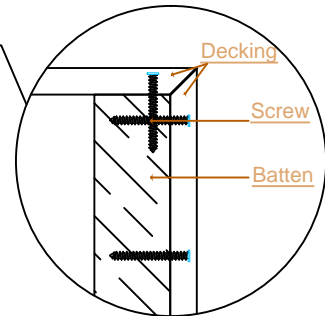
Option B



Min 152.4 [6.00in]



Option C



REVISED BY: Lina.L	REVISE ON:	PAGE NO.:
SAP V.:	dasso XTR	



PRODUCT: EPC-DK20-G2-PP decking plank: 20mm x 137mm

TITLE: Decking Edges

DRAWN BY: Lina.L DATE: Jan 01, 2018

SCALE: 1:1

CONTACT: 1-404-691-6872

FILE: EPC-DK20-G2-PP.DWG

PRINTED:

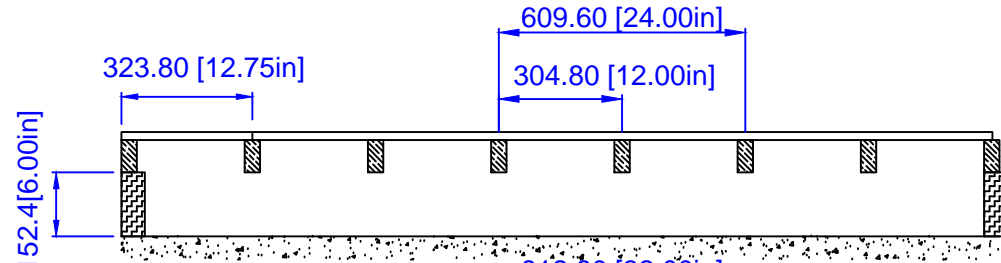
Thickness tolerance: ±0.2mm

Width tolerance: ±0.2mm

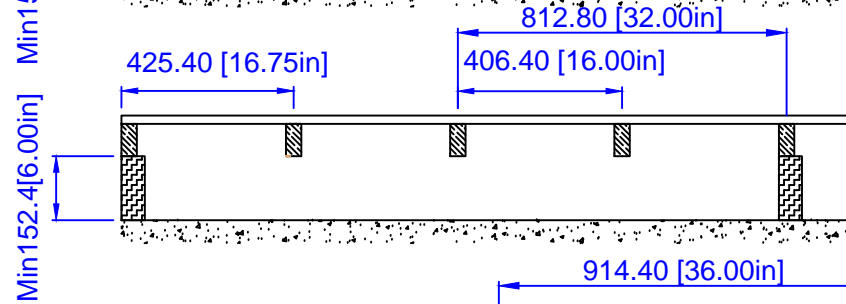
length tolerance: ±1mm

## Joist spacing option

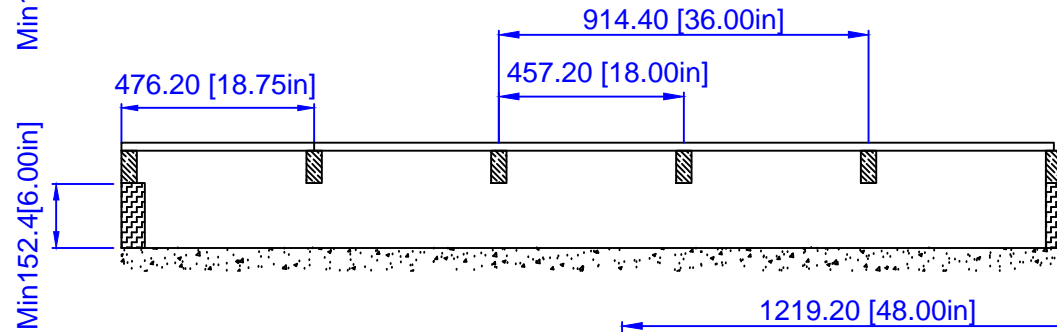
(a) 12" center to center



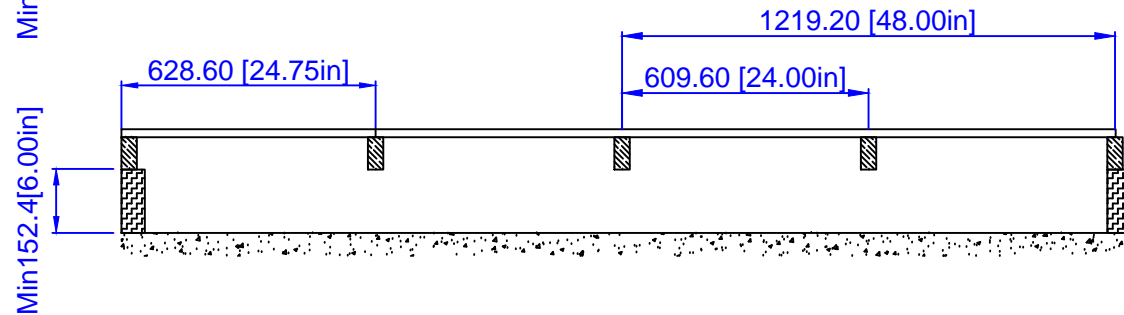
(b) 16" center to center



(c) 18" center to center



(d) 24" center to center



REVISED BY: Lina.L  
REVISED DATE:

PAGE NO:

**dassoXTR**  
Fused Bamboo® for Exterior Use

6060 Boat Rock Blvd SW  
Atlanta, GA 30336  
www.dassoxt.com  
Tel: 1-404-691-6872

PRODUCT: EPC-DK20-G2-PP decking plank: 20mm x 137mm

TITLE: Joist Spacing

DRAWN BY: Lina.L DATE: Jan 01, 2018

SCALE: 1:1

CONTACT: 1-404-691-6872

FILE: EPC-DK20-G2-PP.DWG

PRINTED:

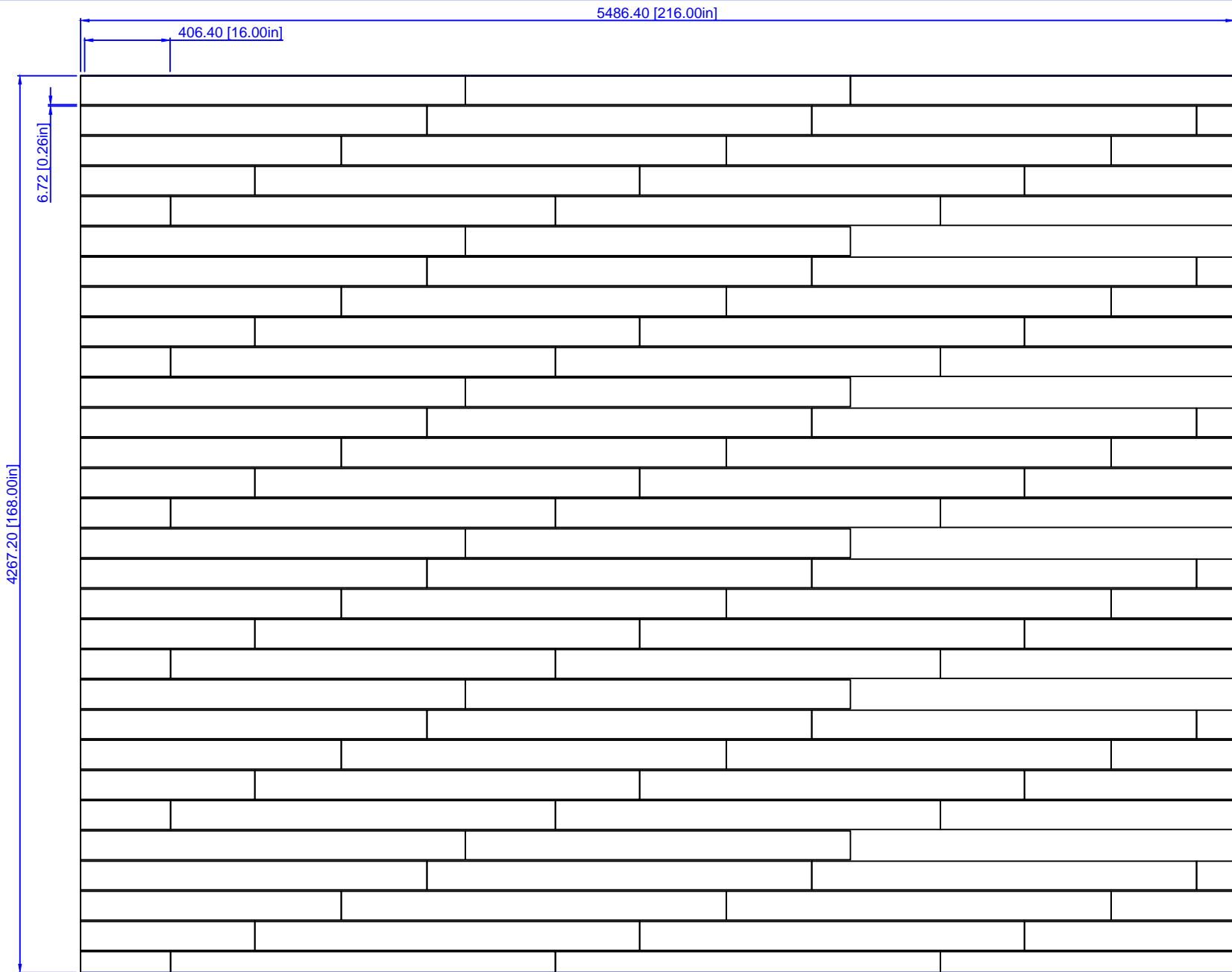
Thickness tolerance: ±0.2mm

Width tolerance: ±0.2mm

length tolerance: ±1mm

SAP V:

dasso XTR



REVISED BY: Lina.L  
 REVISED DATE:

PAGE NO:



6060 Boat Rock Blvd SW  
 Atlanta, GA 30336  
 www.dassoxttr.com  
 Tel: 1-404-691-6872

SAP V:

dasso XTR

PRODUCT: EPC-DK20-G2-PP decking plank: 20mm x 137mm

TITLE: Random 12", 16", 24" Center to Center

DRAWN BY: Lina.L DATE: Jan 01, 2018

SCALE: 1:1

CONTACT: 1-404-691-6872

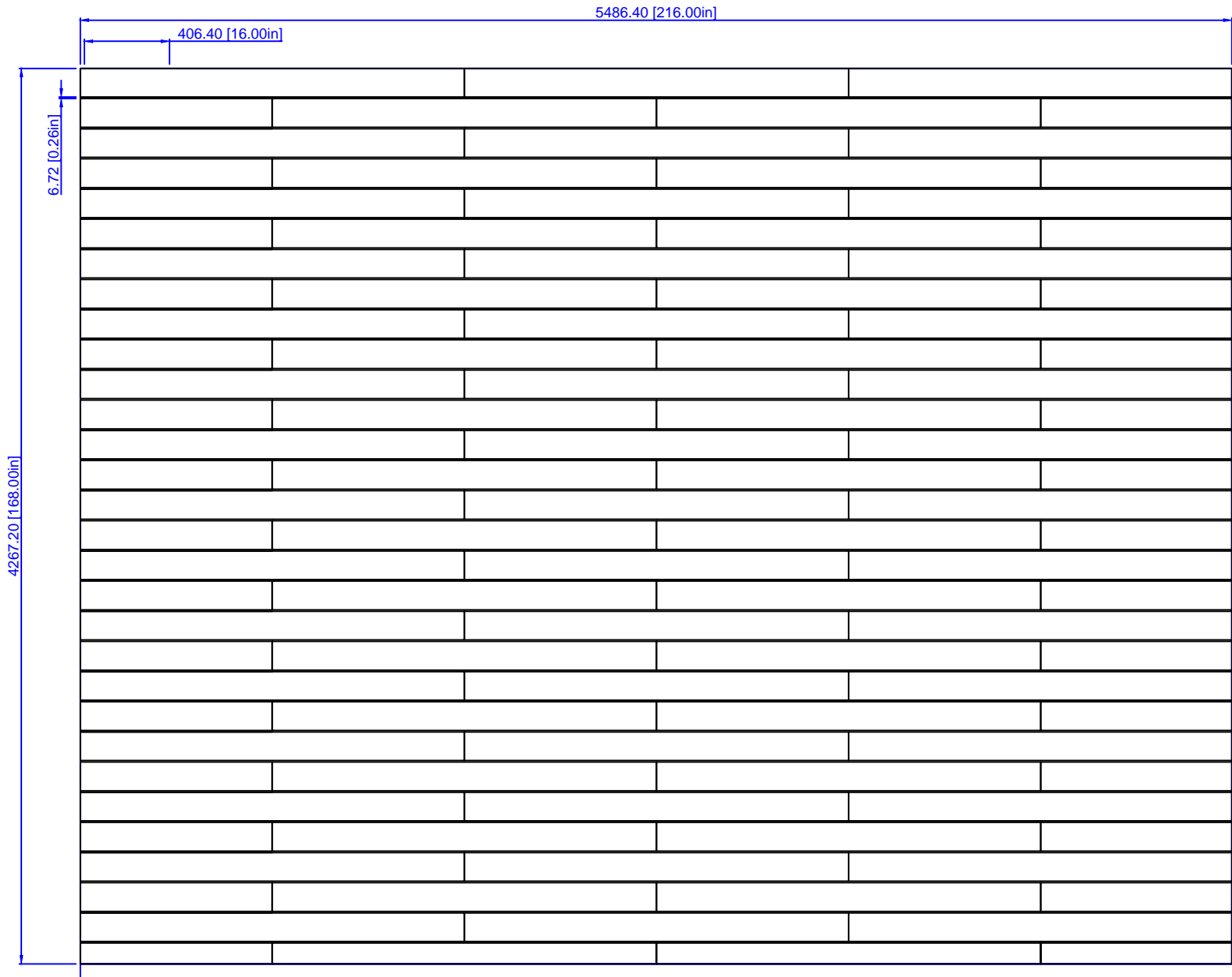
FILE: EPC-DK20-G2-PP.DWG

PRINTED:

Thickness tolerance: ±0.2mm

Width tolerance: ±0.2mm

length tolerance: ±1mm



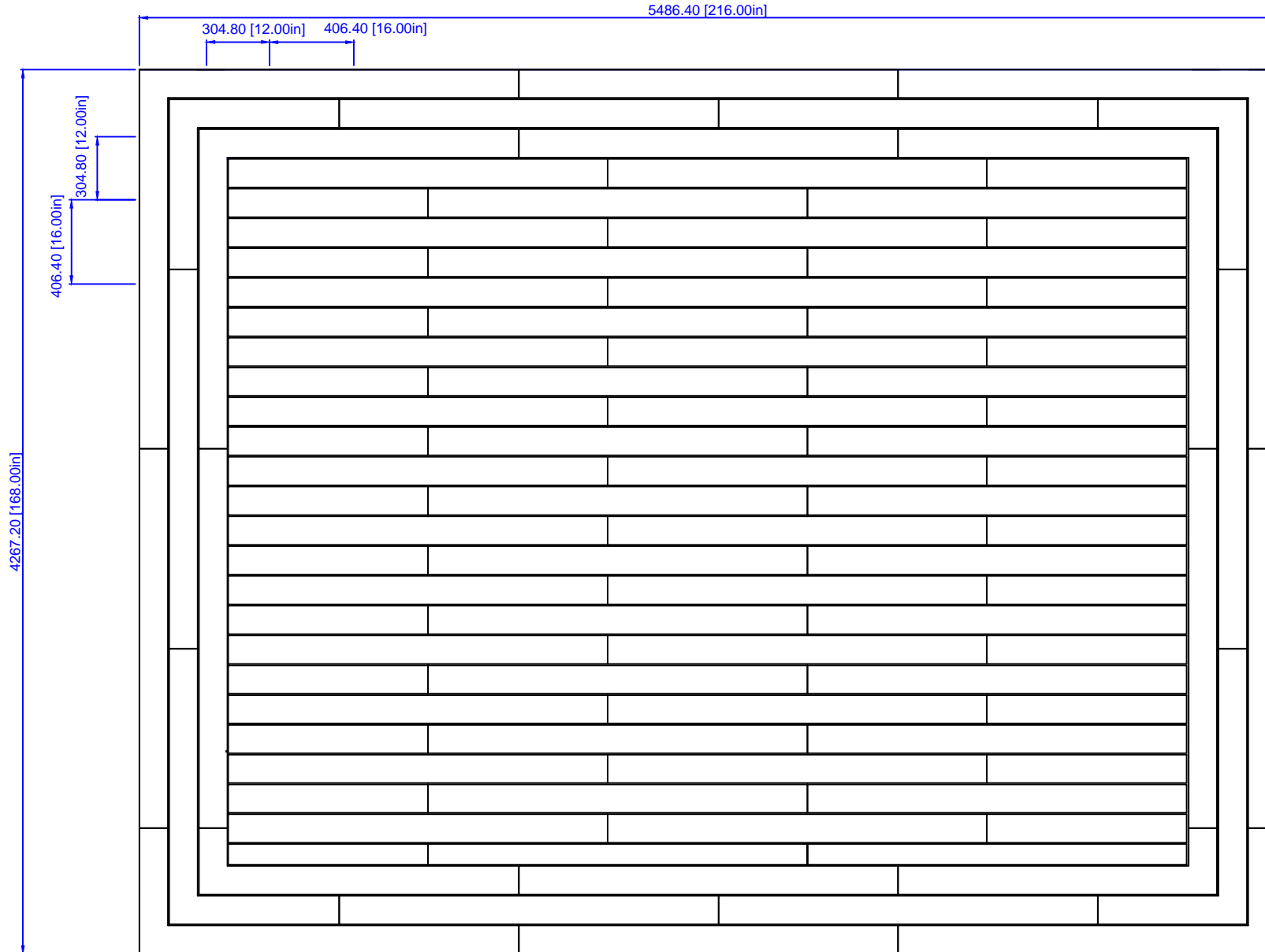
REVISED BY: Lina.L  
 REVISED DATE:  
 SAP V:  
 dasso XTR

REVISE ON:  
 PAGE NO:



PRODUCT: EPC-DK20-G2-PP decking plank: 20mm x 137mm  
 TITLE: Staggered 12", 16", 24" Center to Center  
 DRAWN BY: Lina.L DATE: Jan 01, 2018 SCALE: 1:1 CONTACT: 1-404-691-6872  
 FILE: EPC-DK20-G2-PP.DWG PRINTED:

Thickness tolerance: ±0.2mm  
 Width tolerance: ±0.2mm  
 length tolerance: ±1mm



Four sides:3 rows are reeded face, in the middle are smooth face

REVISED BY: Lina.L  
REVISED DATE:

PAGE NO:

**dassoXTR**  
Fused Bamboo® for Exterior Use

6090 Boat Rock Blvd SW  
Atlanta, GA 30336  
www.dassoxt.com  
Tel: 1-404-691-6872

PRODUCT: EPC-DK20-G2-PP decking plank: 20mm x 137mm

TITLE: Framing 12", 16", 24" Center to Center

DRAWN BY: Lina.L DATE: Jan 01, 2018

SCALE: 1:1

CONTACT: 1-404-691-6872

FILE: EPC-DK20-G2-PP.DWG

PRINTED:

Thickness tolerance: ±0.2mm

Width tolerance: ±0.2mm

length tolerance: ±1mm

SAP V:

dasso XTR