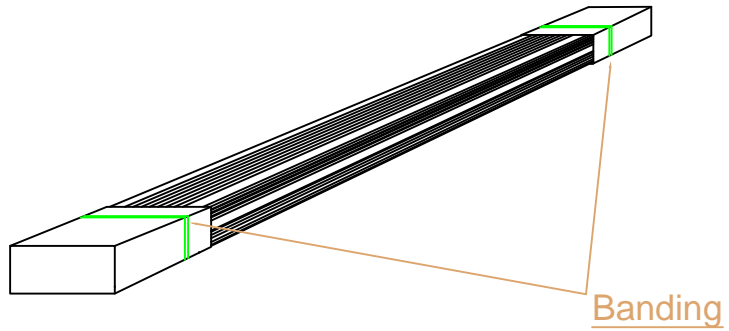
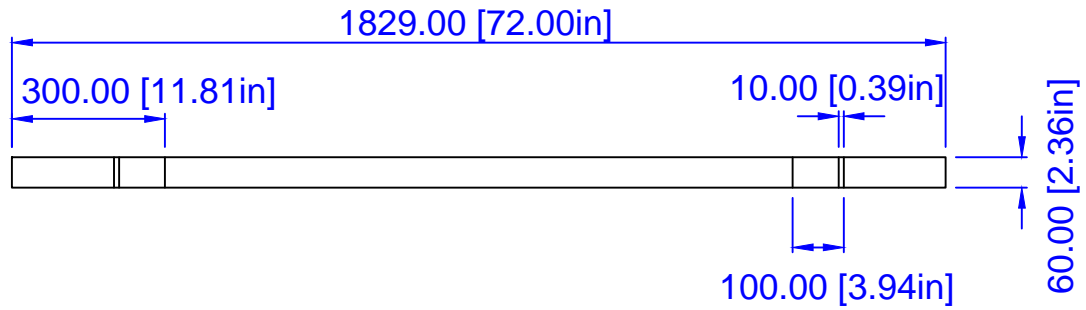


REVISED BY: Lina.L REVISION DATE:	REVISION ON:	PAGE NO:	<b>dassoXTR</b> <i>Fused Bamboo® for Exterior Use</i> <small>6060 Boat Rock Blvd SW          Atlanta, GA 30336  <a href="http://www.dassoxtf.com">www.dassoxtf.com</a>          Tel: 1-404-691-6872</small>	PRODUCT: Wood Pallet Type 1120 TITLE: Wood Pallet Type 1120 DRAWN BY: Lina.L DATE: Jan 01, 2018 SCALE: 1:1 CONTACT: 1-404-691-6872 FILE: EPC-DK20-G2-PP.DWG	Thickness tolerance: ±1mm Width tolerance: ±1mm length tolerance: ±1mm
dasso XTR					



REVISED BY: Lina.L  
REVISED DATE:

PAGE NO:



6980 Boat Rock Blvd SW  
Atlanta, GA 30336  
www.dassoxttr.com  
Tel: 1-404-691-6872

PRODUCT: EPC-DK20-G2-PP decking plank: 20mm x 137mm

TITLE: Bundle Dimension

DRAWN BY: Lina.L DATE: Jan 01, 2018

SCALE: 1:1

CONTACT: 1-404-691-6872

FILE: EPC-DK20-G2-PP.DWG

PRINTED:

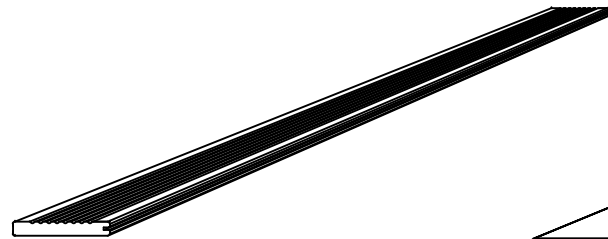
Thickness tolerance: ±0.2mm

Width tolerance: ±0.2mm

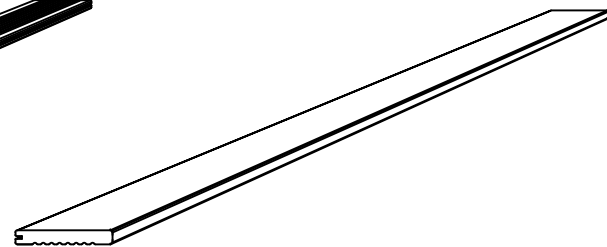
length tolerance: ±1mm

SAP V:

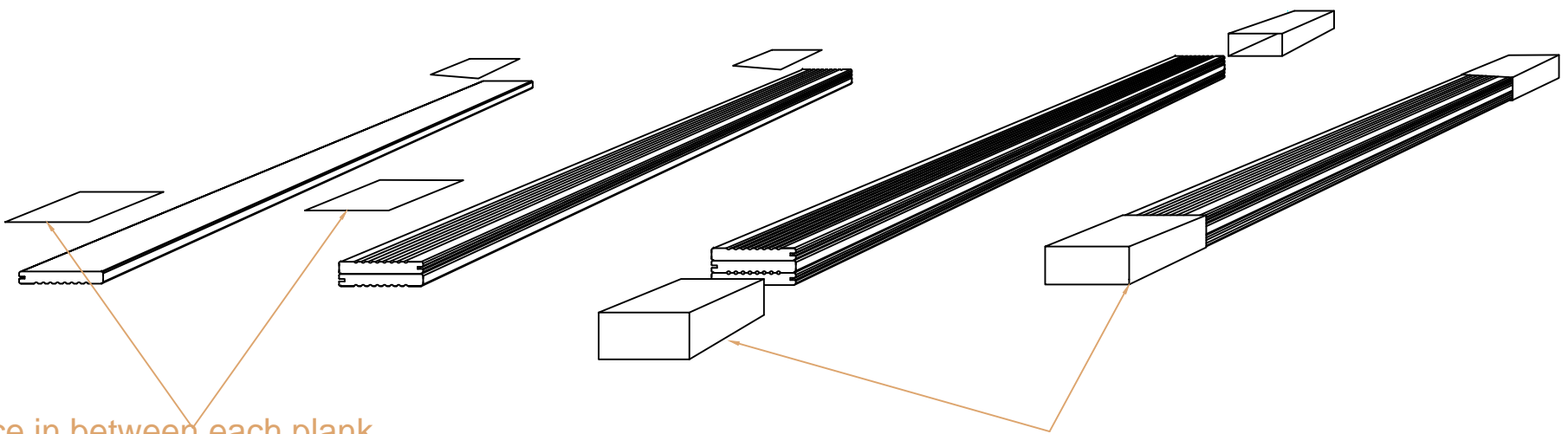
dasso XTR



Front view



Back view



Place in between each plank

Paper sleeves: place on each end of the bundle

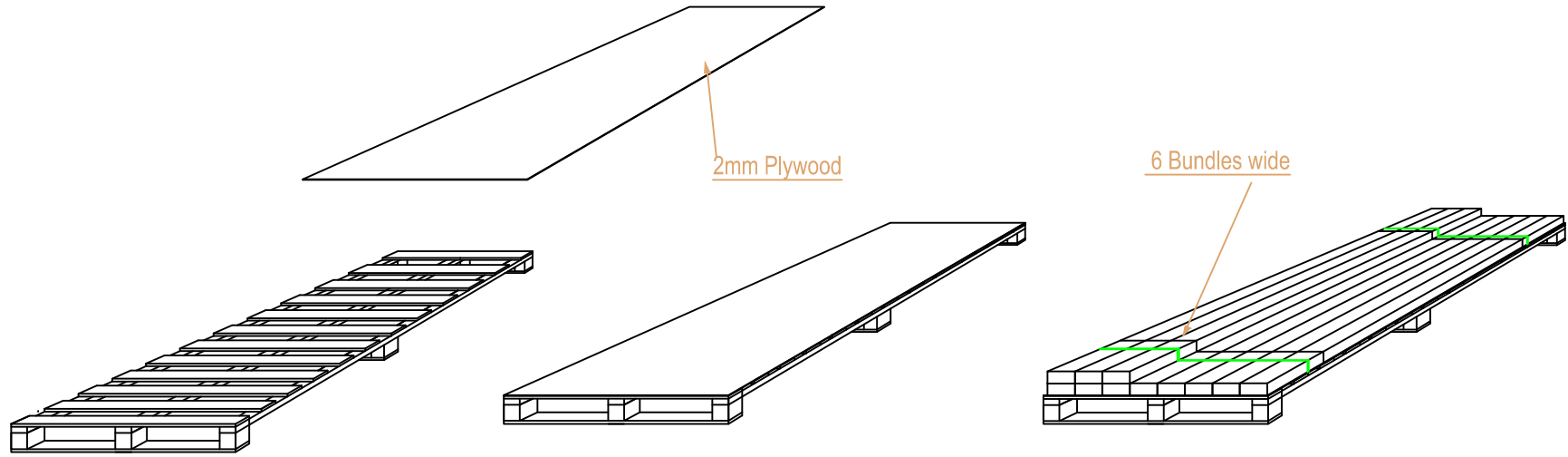
REVISOR: Lina.L  
 REVISION: REVISION DATE:  
 dasso XTR

PAGE NO:



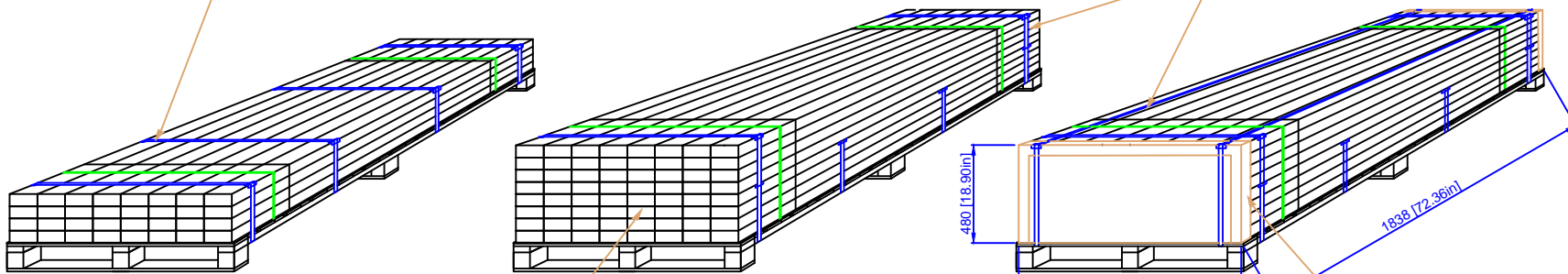
PRODUCT: EPC-DK20-G2-PP decking plank: 20mm x 137mm  
 TITLE: Decking Bundle Package Layout  
 DRAWN BY: Lina.L DATE: Jan 01, 2018 SCALE: 1:1 CONTACT: 1-404-691-6872  
 FILE: EPC-DK20-G2-PP.DWG PRINTED:

Thickness tolerance: ±0.2mm  
 Width tolerance: ±0.2mm  
 length tolerance: ±1mm



There are 4 band in the middle of the pallet

There are 4 belts out of the pallet: before packaging the 4 belts, the wrap film is at least three layers and ensure full of the decking.



REVISED BY: Lina.L  
REVISED DATE:

REVISE ON:

PAGE NO:

**dassoXTR**  
Fused Bamboo® for Exterior Use

6960 Boat Rock Blvd SW  
Atlanta, GA 30336  
www.dassoxttr.com  
Tel: 1-404-691-6872

PRODUCT: EPC-DK20-G2-PP decking plank: 20mm x 137mm

TITLE: Pallet Layout

DRAWN BY: Lina.L DATE: Jan 01, 2018

SCALE: 1:1

CONTACT: 1-404-691-6872

FILE: EPC-DK20-G2-PP.DWG

PRINTED:

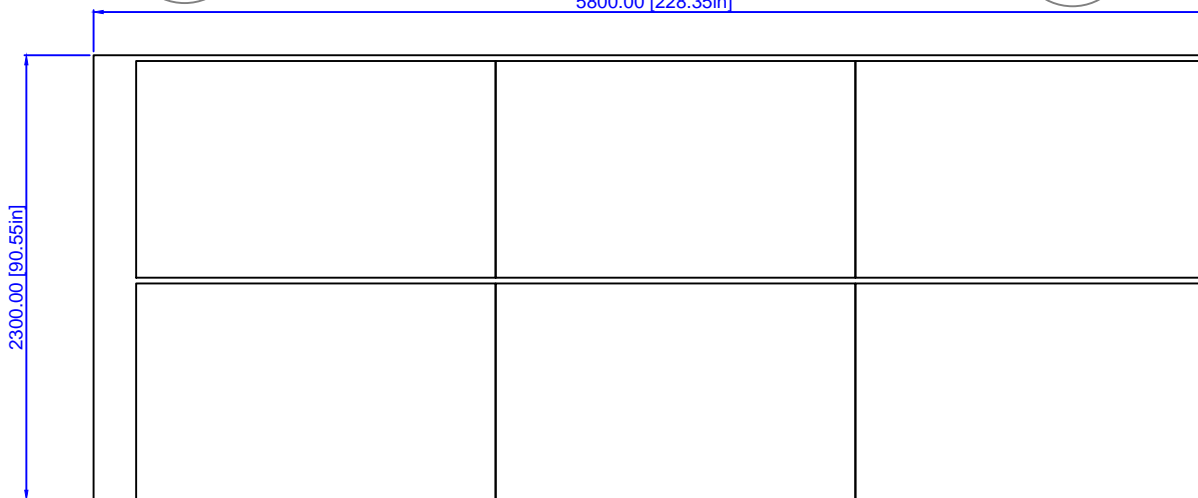
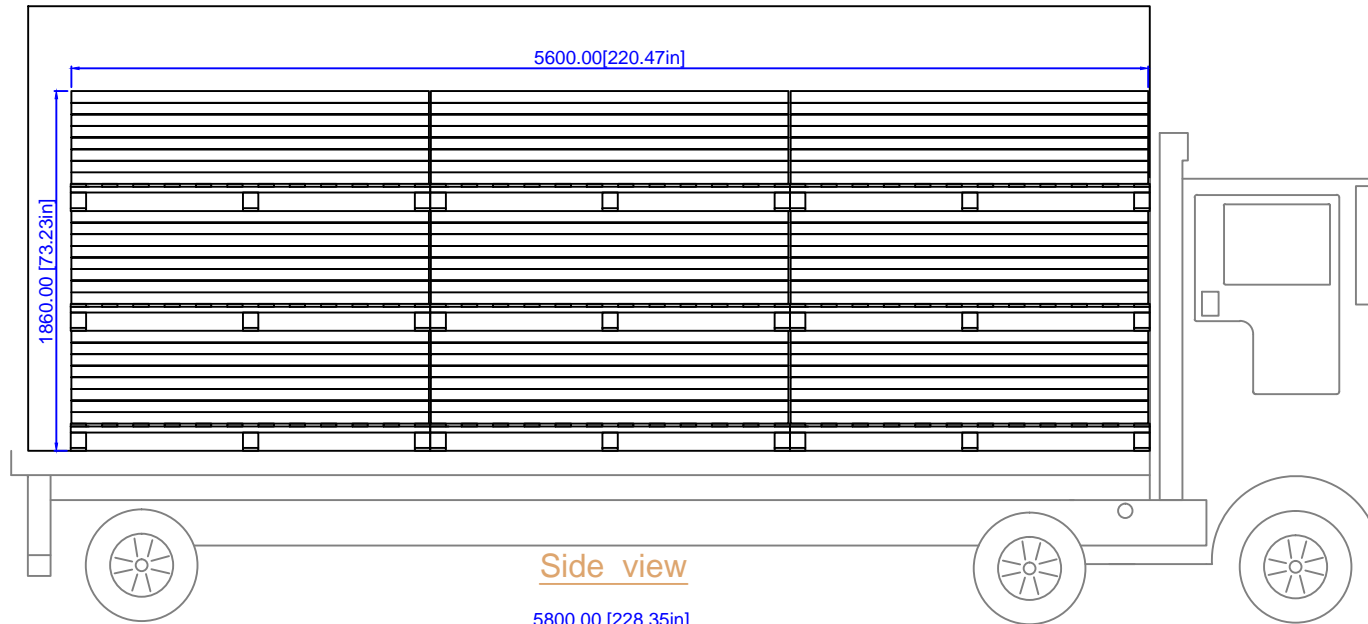
Thickness tolerance: ±1mm

Width tolerance: ±1mm


length tolerance: ±1mm

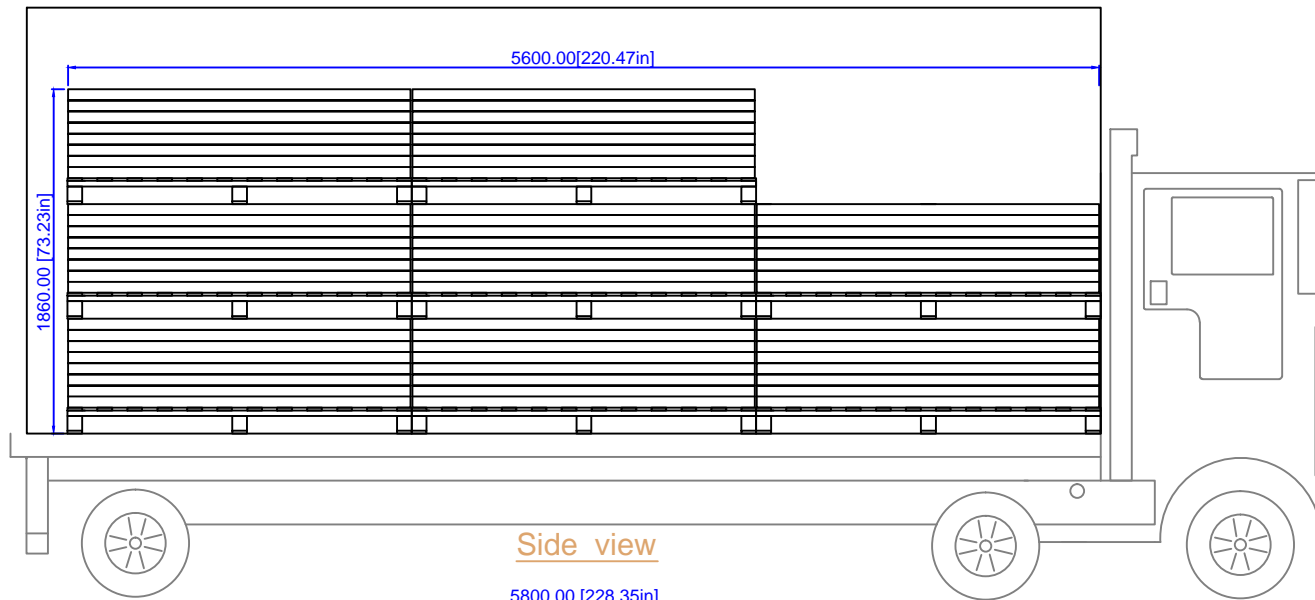
SAP V:

dasso XTR

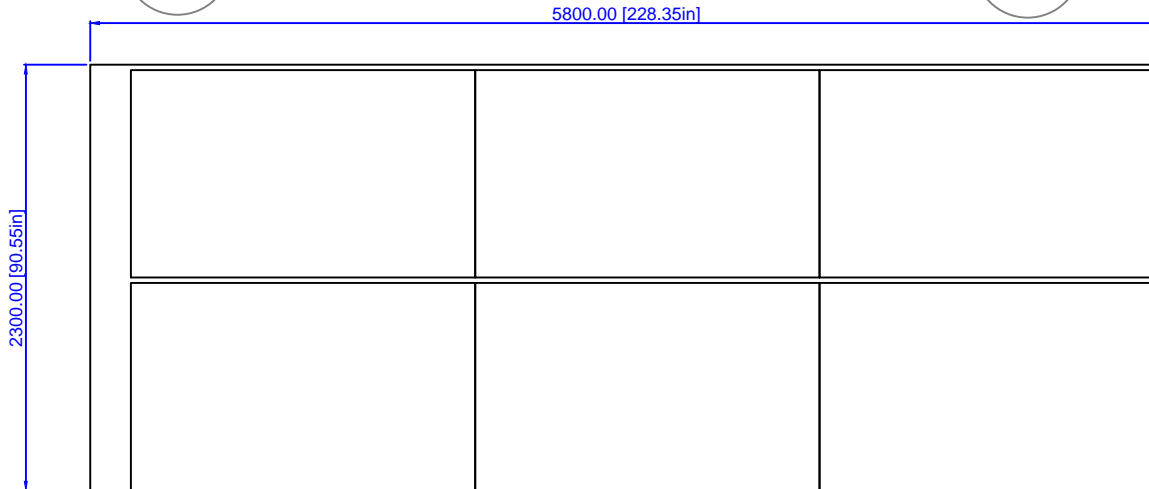


Top view


REVISED BY: <a href="#">Lina.L</a> <small>REVISED DATE:</small>	REVISION ON:	PAGE NO.:	PRODUCT: EPC-DK20-G2-PP decking plank: 20mm x 137mm	Dimensions: Interior
SAP V: dasso XTR	 <small>Fused Bamboo® for Exterior Use</small> <small>6060 Boat Rock Blvd SW          Atlanta, GA 30336  <a href="http://www.dassoxtf.com">www.dassoxtf.com</a>          Tel: 1-404-691-6872</small>	TITLE: 20' Container Loading—18 Pallet Max	DRAWN BY: <a href="#">Lina.L</a> DATE: Jan 01, 2018 SCALE: 1:1 CONTACT: 1-404-691-6872	
			FILE: EPC-DK20-G2-PP.DWG	PRINTED:



Side view



Top view

REVISED BY: Lina.L REVISED DATE:	REVISE ON:	PAGE NO.:	<b>PRODUCT:</b> EPC-DK20-G2-PP decking plank : 20mm x 137mm	<b>Dimensions:</b> Interior
SAP V: dasso XTR		6960 Boat Rock Blvd SW Atlanta, GA 30336 www.dassoxtf.com Tel: 1-404-691-6872	<b>TITLE:</b> 20' Container Loading—17 Pallet	
			<b>DRAWN BY:</b> Lina.L <b>DATE:</b> Jan 01, 2018 <b>SCALE:</b> 1:1 <b>CONTACT:</b> 1-404-691-6872	
			<b>FILE:</b> EPC-DK20-G2-PP.DWG <b>PRINTED:</b>	