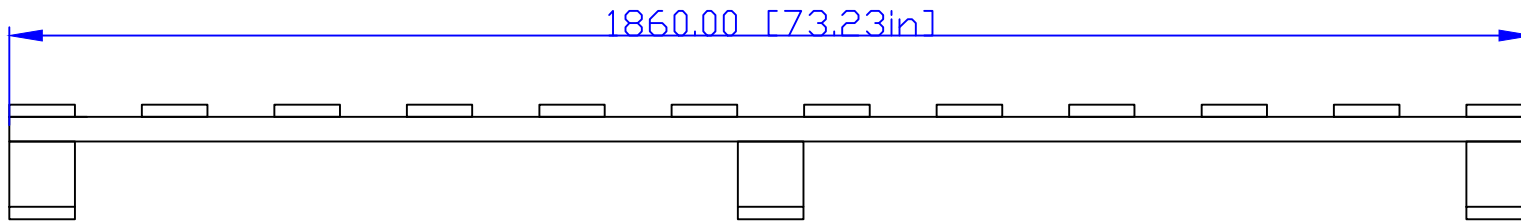

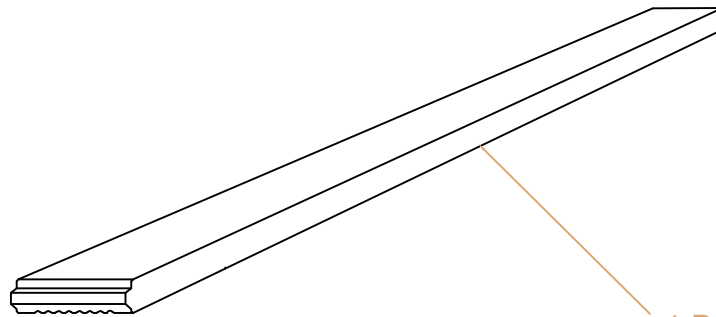
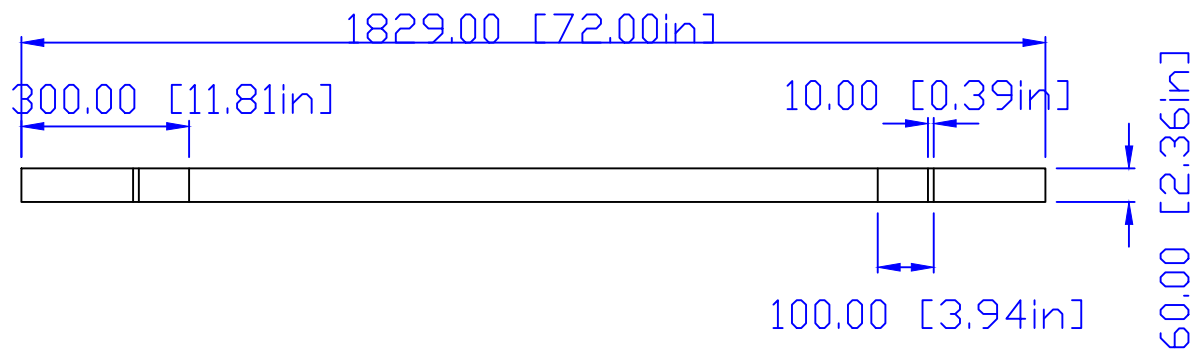


End view



Side view

REVISED BY: Lina.L REVISED DATE:	REVISION:	PAGE NO:	PRODUCT: Wood Pallet Type 1120	Thickness tolerance: ±1mm
dasso XTR	 Fused Bamboo® for Exterior Use <small>6009 Buck Road Blvd SW Atlanta, GA 30336 www.dassoxt.com Tel: 1-404-691-6872</small>	TITLE: Wood Pallet Type 1120	Width tolerance: ±1mm length tolerance: ±1mm	FILE: EPC-DK40-G0-PP.DWG
DRAWN BY: Lina.L	DATE: Jan 01, 2018	SCALE: 1:1	CONTACT: 1-404-691-6872	PRINTED:



1 PCS = 1 Bundle

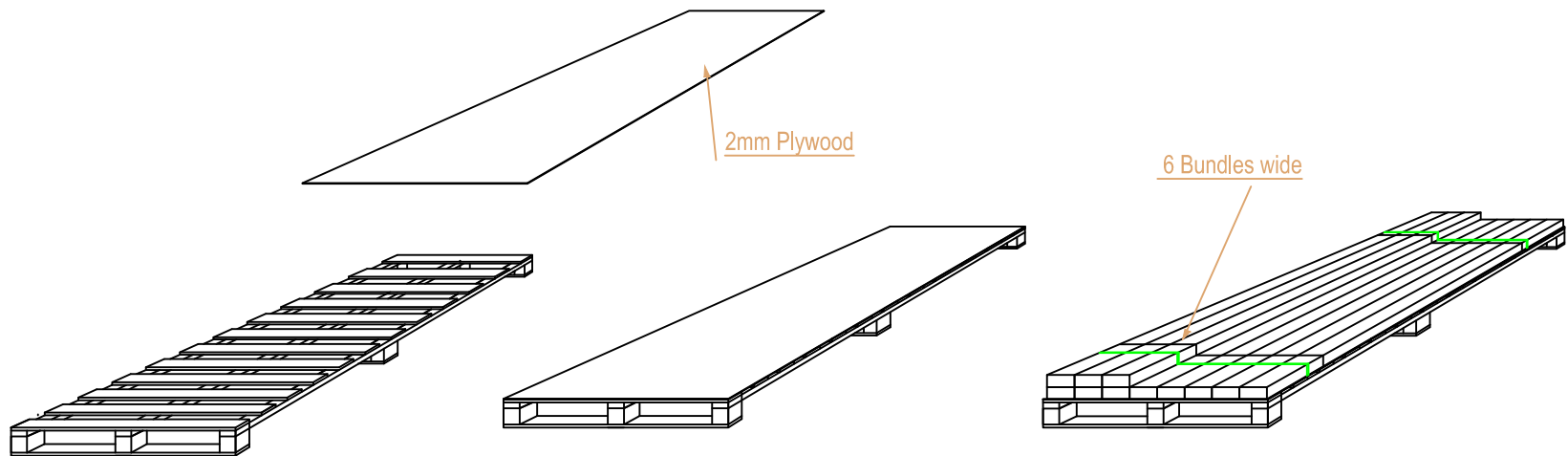
REVISED BY: Lina.L
 REVISED DATE:
 SAP V:
 dasso XTR

PAGE NO:

dassoXTR
 Fused Bamboo® for Exterior Use
 6000 Boat Rock Blvd SW
 Atlanta, GA 30336
 www.dassoxtf.com
 Tel: 1-404-691-6872

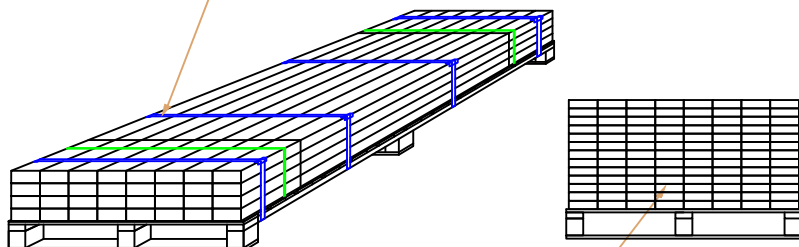
PRODUCT: EPC-DK40-G0-PP Heavy Commercial Decking: 40mm x 137mm
 TITLE: Bundle Dimension
 DRAWN BY: Lina.L DATE: Jan 01, 2018 SCALE: 1:1 CONTACT: 1-404-691-6872
 FILE: EPC-DK40-G0-PP.DWG PRINTED:

Thickness tolerance: ±0.2mm
 Width tolerance: ±0.2mm
 length tolerance: ±1mm

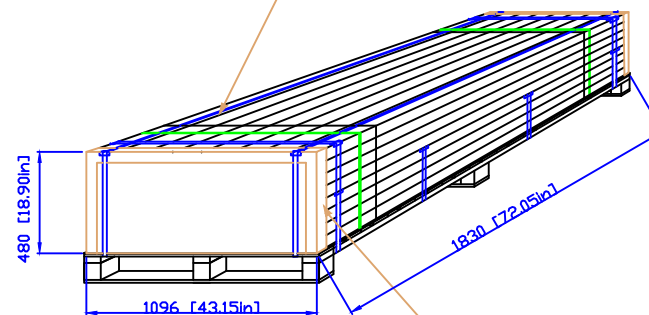


There are 4 band in the middle of the pallet

There are 4 belts out of the pallet: before packaging the 4 belts, the wrap film is at least three layers and ensure full of the decking.



Layout: 8 rows x 12layers



REVISED BY: Lina.L
REVISED DATE:

REVISE ON:

PAGE NO.:

SMP V:

dasso XTR

dassoXTR
Fused Bamboo® for Exterior Use

6000 Boat Rock Blvd SW
Atlanta, GA 30336
www.dassoxt.com
Tel: 1-404-691-6872

PRODUCT: EPC-DK40-G0-PP Heavy Commercial Decking : 40mm x 137mm

TITLE: Pallet Layout

DRAWN BY: Lina.L DATE: Jan 01, 2018

SCALE: 1:1

CONTACT: 1-404-691-6872

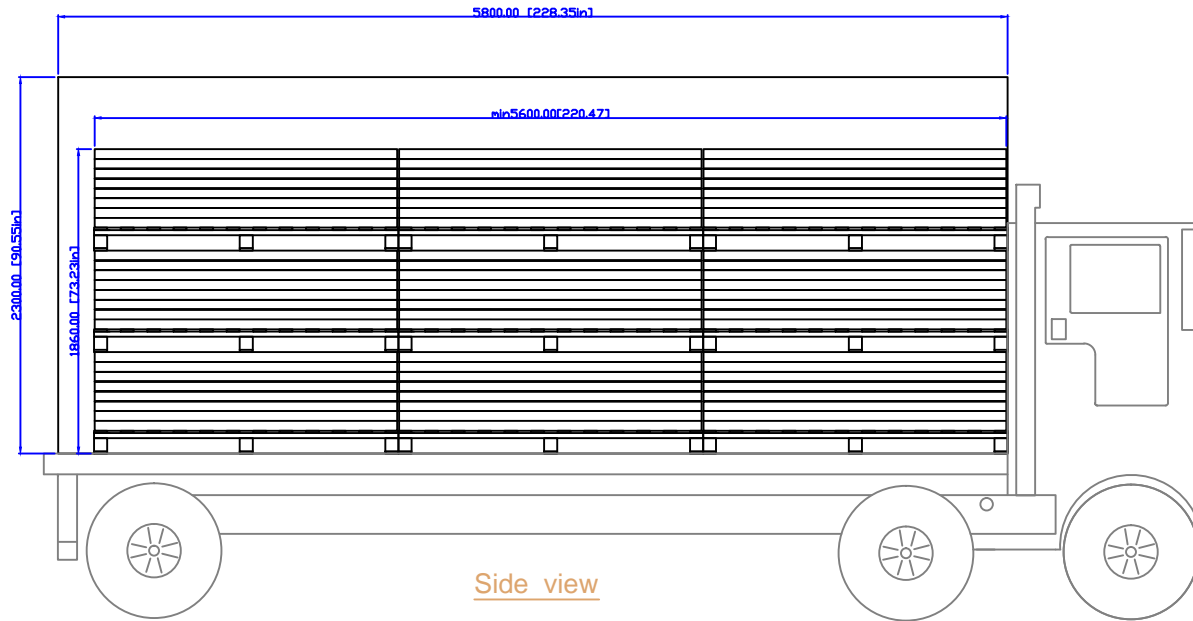
FILE: EPC-DK40-G0-PP.DWG

PRINTED:

Thickness tolerance: ±0.2mm

Width tolerance: ±0.2mm

length tolerance: ±1mm



REVISED BY: Lina.L
REVISED DATE:

REVISE ON:

PAGE NO.:

SMP V:

dasso XTR



PRODUCT: EPC-DK40-G0-PP Heavy Commercial Decking : 40mm x 137mm

TITLE: 20' Container Loading—18 Pallet Max

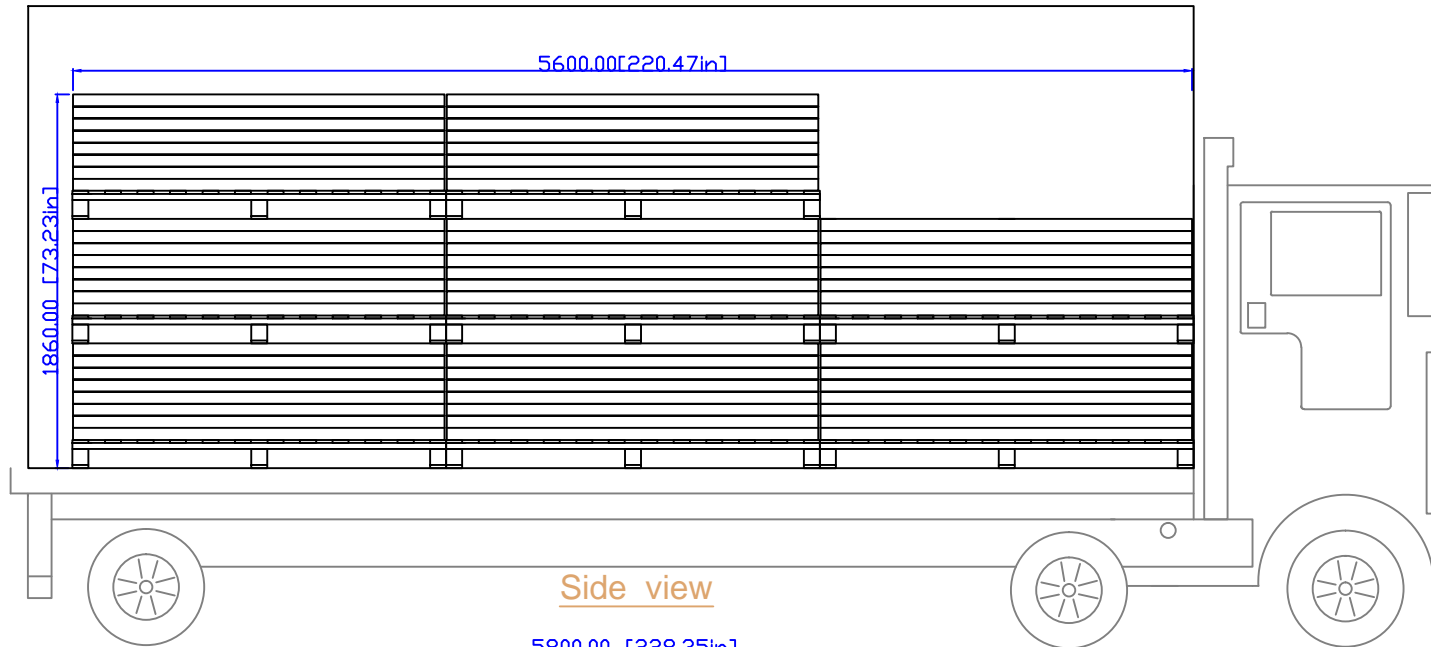
DRAWN BY: Lina.L DATE: Jan 01, 2018 SCALE: 1:1

FILE: EPC-DK40-G0-PP.DWG

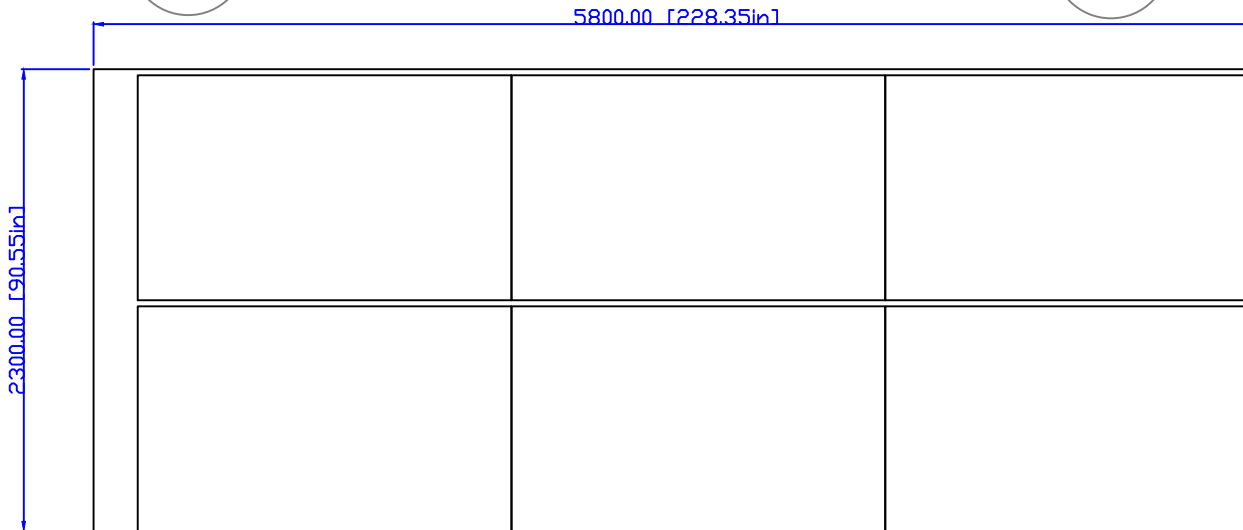
CONTACT: 1-404-691-6872

PRINTED:

Dimensions: Interior



Side view



Top view

REVISED BY: Lina.L
REVISED DATE:

REVISE ON:

PAGE NO.:

S&P:

dasso XTR



Fused Bamboo® for Exterior Use
6060 Boat Rock Blvd SW
Atlanta, GA 30336
www.dassoxt.com
Tel: 1-404-691-6872

PRODUCT: EPC-DK40-G0-PP Heavy Commercial Decking: 40mm x 137mm

TITLE: 20' Container Loading—17 Pallet

DRAWN BY: Lina.L DATE: Jan 01, 2018

SCALE: 1:1

CONTACT: 1-404-691-6872

FILE: EPC-DK40-G0-PP.DWG

PRINTED:

Dimensions: Interior