

REVISED BY: Lina.L
REVISED DATE:

REVISE ON:

PAGE NO:

SAP V:

dasso XTR



6060 Boat Rock Blvd SW
Atlanta, GA 30336
www.dassoxttr.com
Tel: 1-404-691-6872

PRODUCT: XTR-DK20-G1-PP starter & boarder decking plank: 20mm x 137mm

TITLE: Decking Installation

DRAWN BY: Lina.L DATE: Jan 01, 2018

SCALE: 1:1

CONTACT: 1-404-691-6872

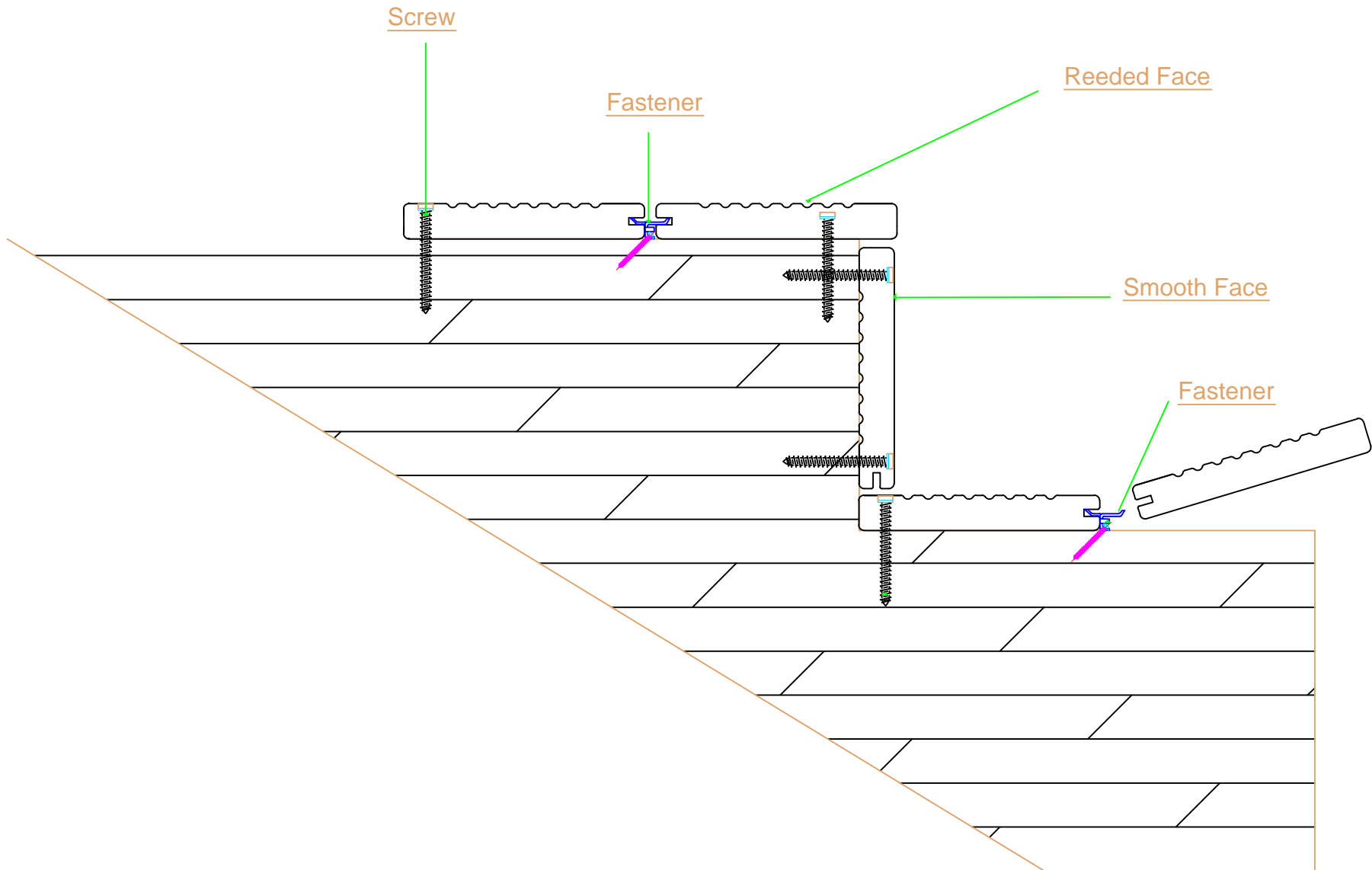
FILE: XTR-DK20-G1-PP.DWG

PRINTED:

Thickness tolerance: $\pm 0.2\text{mm}$

Width tolerance: $\pm 0.2\text{mm}$

length tolerance: $\pm 1\text{mm}$



REVISED BY: Lina.L
 REVISED DATE:

REVISE ON:

PAGE NO.:

SAP V:
 dasso XTR



PRODUCT: XTR-DK20-G1-PP starter & boarder decking plank : 20mm x 137mm

Dimensions: Interior

TITLE: Stair Step Installation

DRAWN BY: Lina.L DATE: Jan 01, 2018

SCALE: 1:1

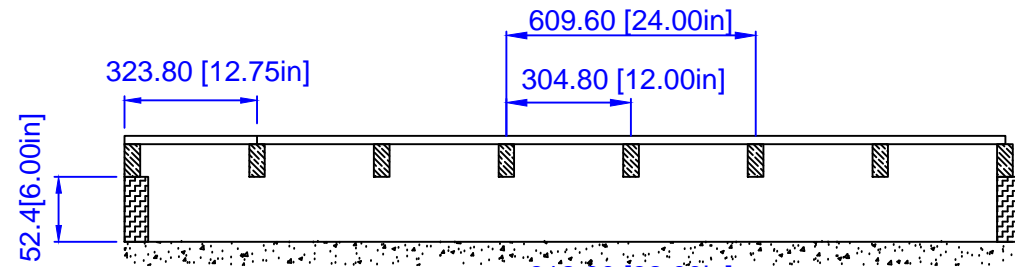
CONTACT: 1-404-691-6872

FILE: XTR-DK20-G1-PP.DWG

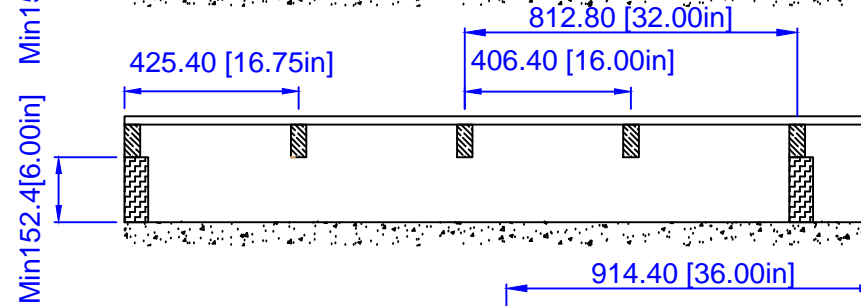
PRINTED:

Joist spacing option

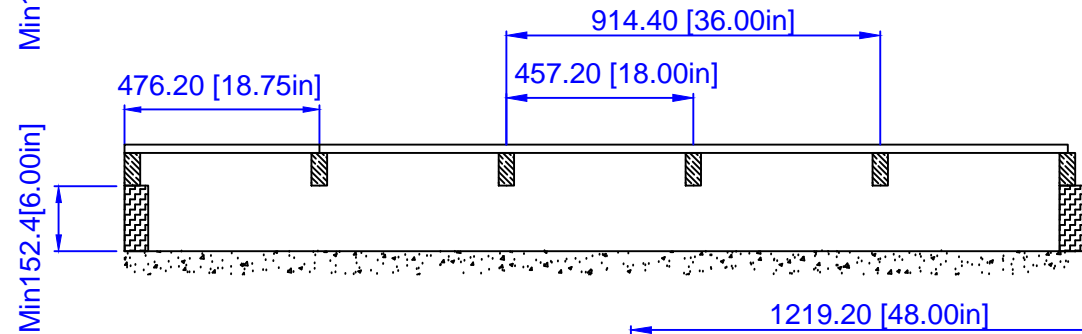
(a) 12" center to center



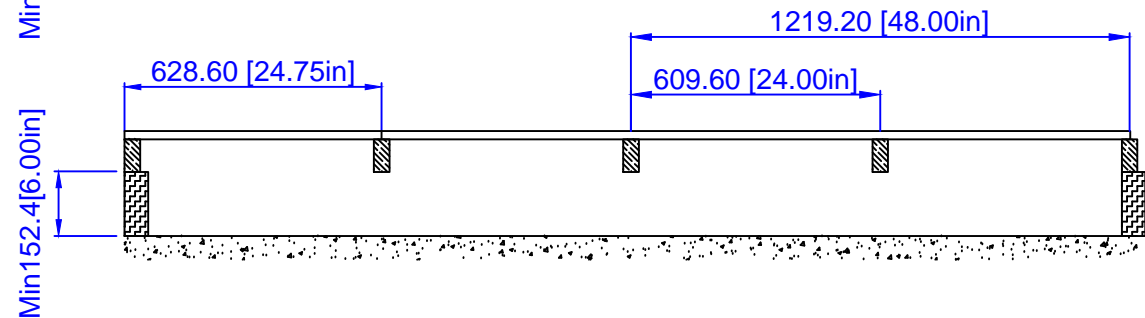
(b) 16" center to center



(c) 18" center to center



(d) 24" center to center



REVISED BY: Lina.L
REVISED DATE:

REVISION ON:

PAGE NO.:

SAP V.:

dasso XTR



PRODUCT: XTR-DK20-G1-PP starter & boarder decking plank: 20mm x 137mm

TITLE: Joist Spacing

DRAWN BY: Lina.L DATE: Jan 01, 2018

SCALE: 1:1

CONTACT: 1-404-691-6872

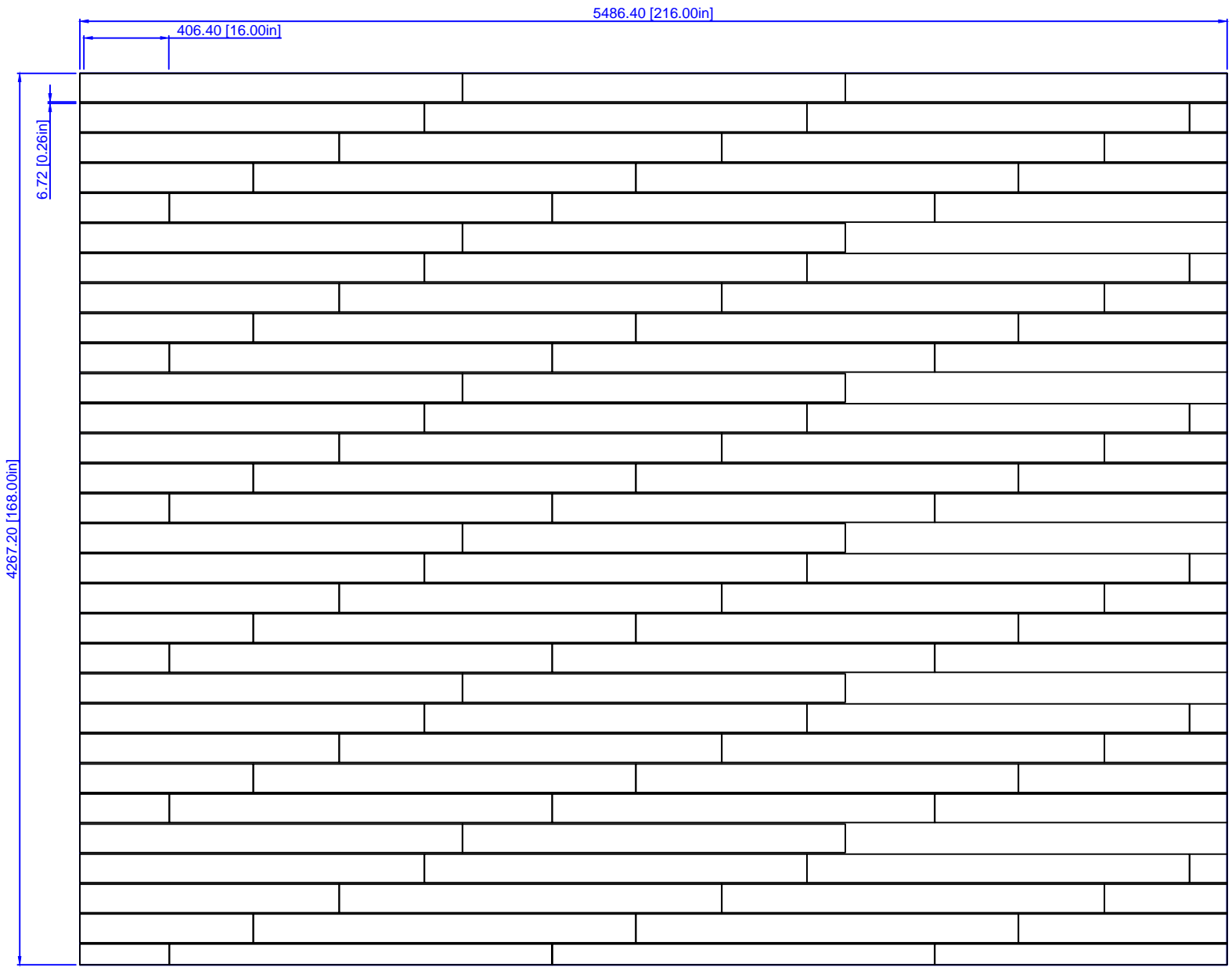
FILE: XTR-DK20-G1-PP.DWG

PRINTED:

Thickness tolerance: ±0.2mm

Width tolerance: ±0.2mm

Length tolerance: ±1mm

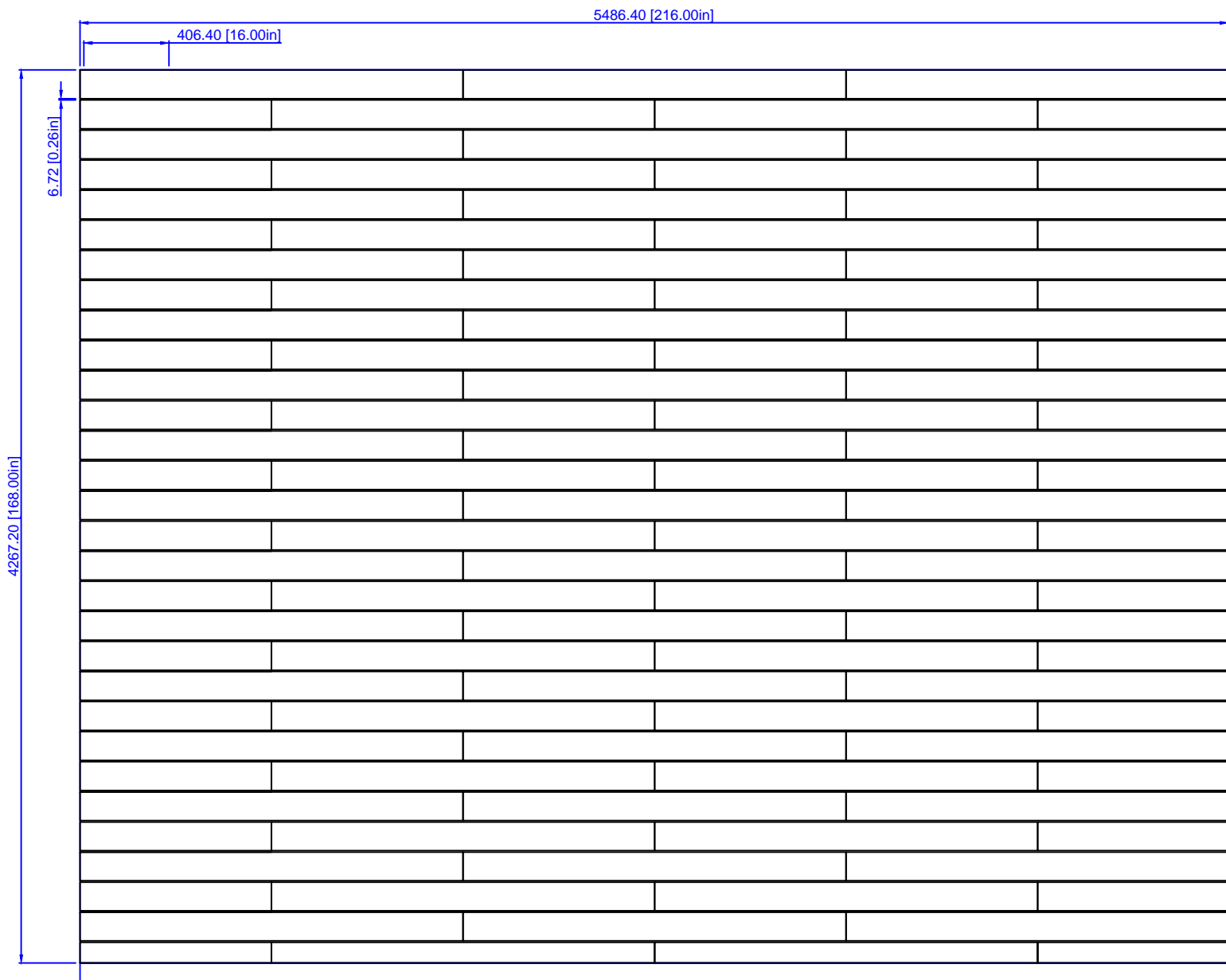


REVISED BY: Lina.L	REVISE ON:	PAGE NO.:
REVISED DATE:		
SAP V:	dasso XTR	



PRODUCT: XTR-DK20-G1-PP starter & boarder decking plank: 20mm x 137mm		
TITLE: Random 12", 16", 24" Center to Center		
DRAWN BY: Lina.L	DATE: Jan 01, 2018	SCALE: 1:1
FILE: XTR-DK20-G1-PP.DWG		CONTACT: 1-404-691-6872
		PRINTED:

Thickness tolerance: ±0.2mm
Width tolerance: ±0.2mm
length tolerance: ±1mm



REVISED BY: Lina.L
 REVISION: []
 REVISED DATE: []

SAP V:
 dasso XTR

PAGE NO:



PRODUCT: XTR-DK20-G1-PP starter & boarder decking plank : 20mm x 137mm

TITLE: Staggered 12", 16", 24" Center to Center

DRAWN BY: Lina.L DATE: Jan 01, 2018 SCALE: 1:1 CONTACT: 1-404-691-6872

FILE: XTR-DK20-G1-PP.DWG

Thickness tolerance: ±0.2mm

Width tolerance: ±0.2mm

length tolerance: ±1mm

PRINTED: