

REVISED BY: Lina.L	REVISE ON:	PAGE NO.:
REVISED DATE:		
SAP V.:	dasso XTR	



PRODUCT: XTR-DK20-G2-PP decking plank: 20mm x 137mm			
TITLE: Decking Installation			
DRAWN BY: Lina.L	DATE: Jan 01, 2018	SCALE: 1:1	CONTACT: 1-404-691-6872
FILE: XTR-DK20-G2-PP.DWG		PRINTED:	

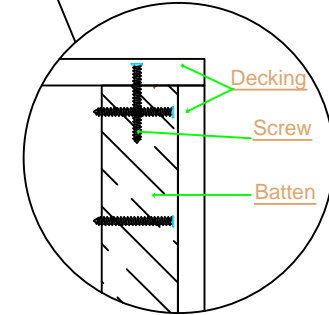
Thickness tolerance: ±0.2mm
Width tolerance: ±0.2mm
Length tolerance: ±1mm

Min 152.4 [6.00in]

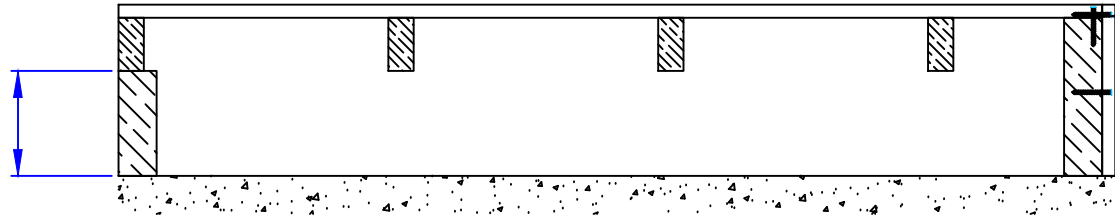
406.40 [16.00in]



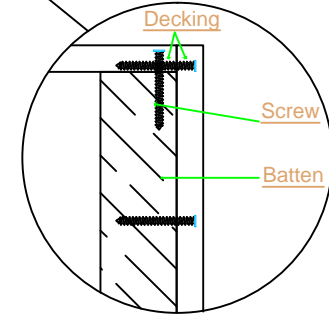
Option A



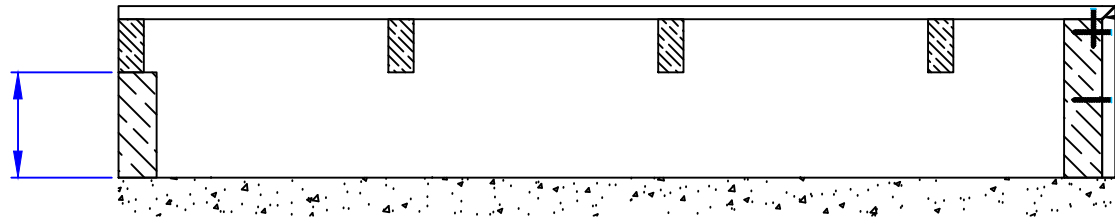
Min 152.4 [6.00in]



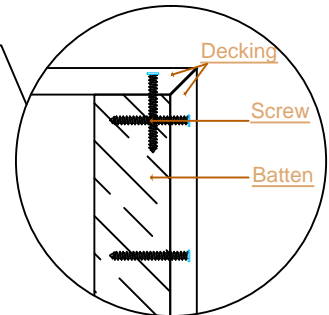
Option B



Min 152.4 [6.00in]



Option C



REVISED BY: Lina.L
REVISED DATE:

REVISION:

PAGE NO:

SAP V:

dasso XTR

dassoXTR
Fused Bamboo® for Exterior Use

6080 Boat Rock Blvd SW
Atlanta, GA 30336
www.dassoxt.com
Tel: 1-404-691-6872

PRODUCT: XTR-DK20-G2-PP decking plank: 20mm x 137mm

TITLE: Decking Edges

DRAWN BY: Lina.L DATE: Jan 01, 2018

SCALE: 1:1

CONTACT: 1-404-691-6872

FILE: XTR-DK20-G1-PP.DWG

PRINTED:

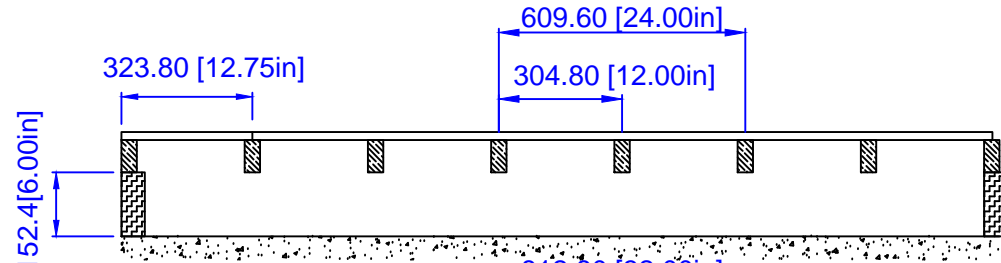
Thickness tolerance: ±0.2mm

Width tolerance: ±0.2mm

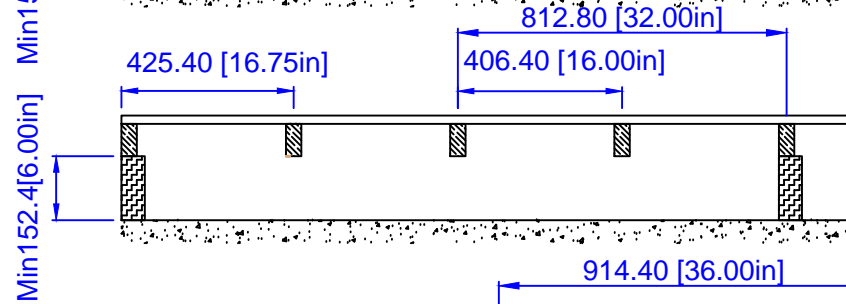
length tolerance: ±1mm

Joist spacing option

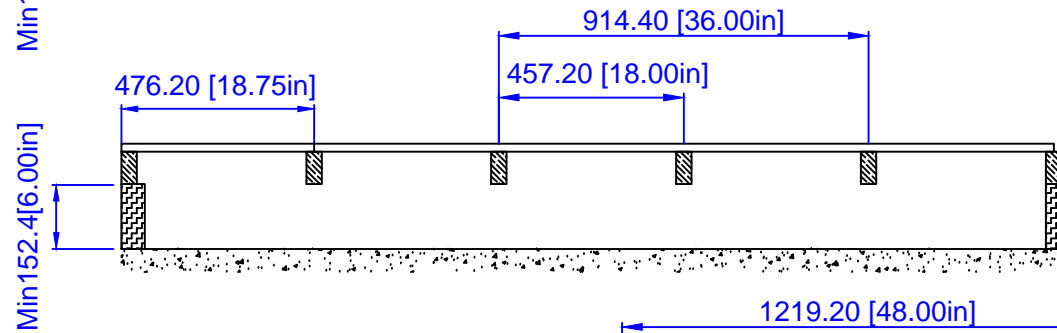
(a) 12" center to center



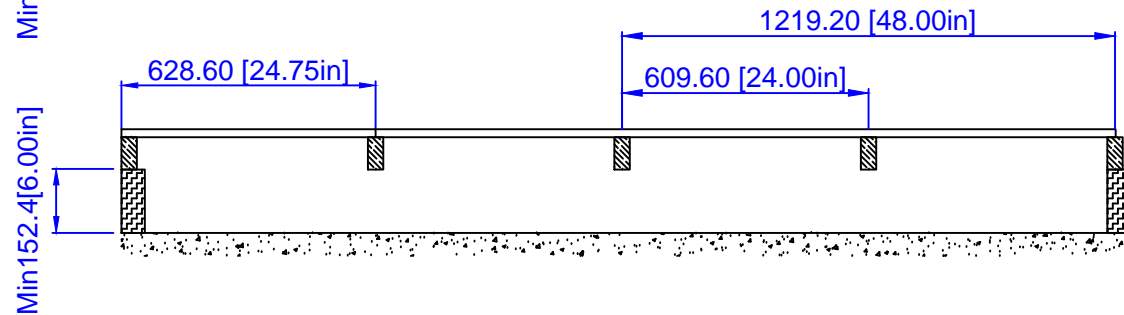
(b) 16" center to center



(c) 18" center to center



(d) 24" center to center



REVISOR: Lina.L
REVISION DATE:

PAGE NO:

dassoXTR
Fused Bamboo® for Exterior Use

6060 Boat Rock Blvd SW
Atlanta, GA 30336
www.dassoxt.com
Tel: 1-404-691-6872

PRODUCT: XTR-DK20-G2-PP decking plank: 20mm x 137mm

TITLE: Joist Spacing

DRAWN BY: Lina.L DATE: Jan 01, 2018

SCALE: 1:1

CONTACT: 1-404-691-6872

FILE: XTR-DK20-G2-PP.DWG

PRINTED:

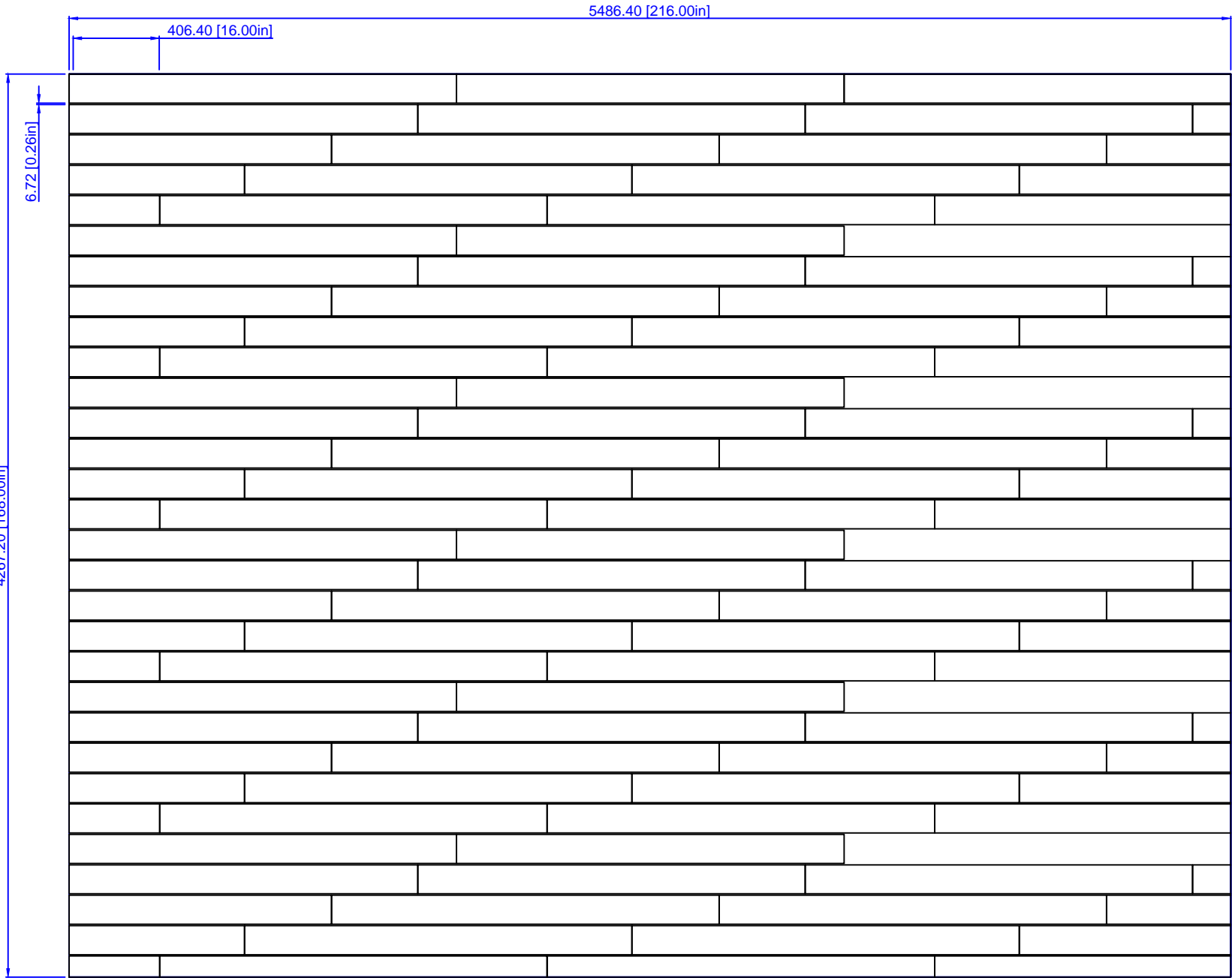
Thickness tolerance: ±0.2mm

Width tolerance: ±0.2mm

length tolerance: ±1mm

SAP V:

dasso XTR



REVISED BY: Lina.L
 REVISED DATE:

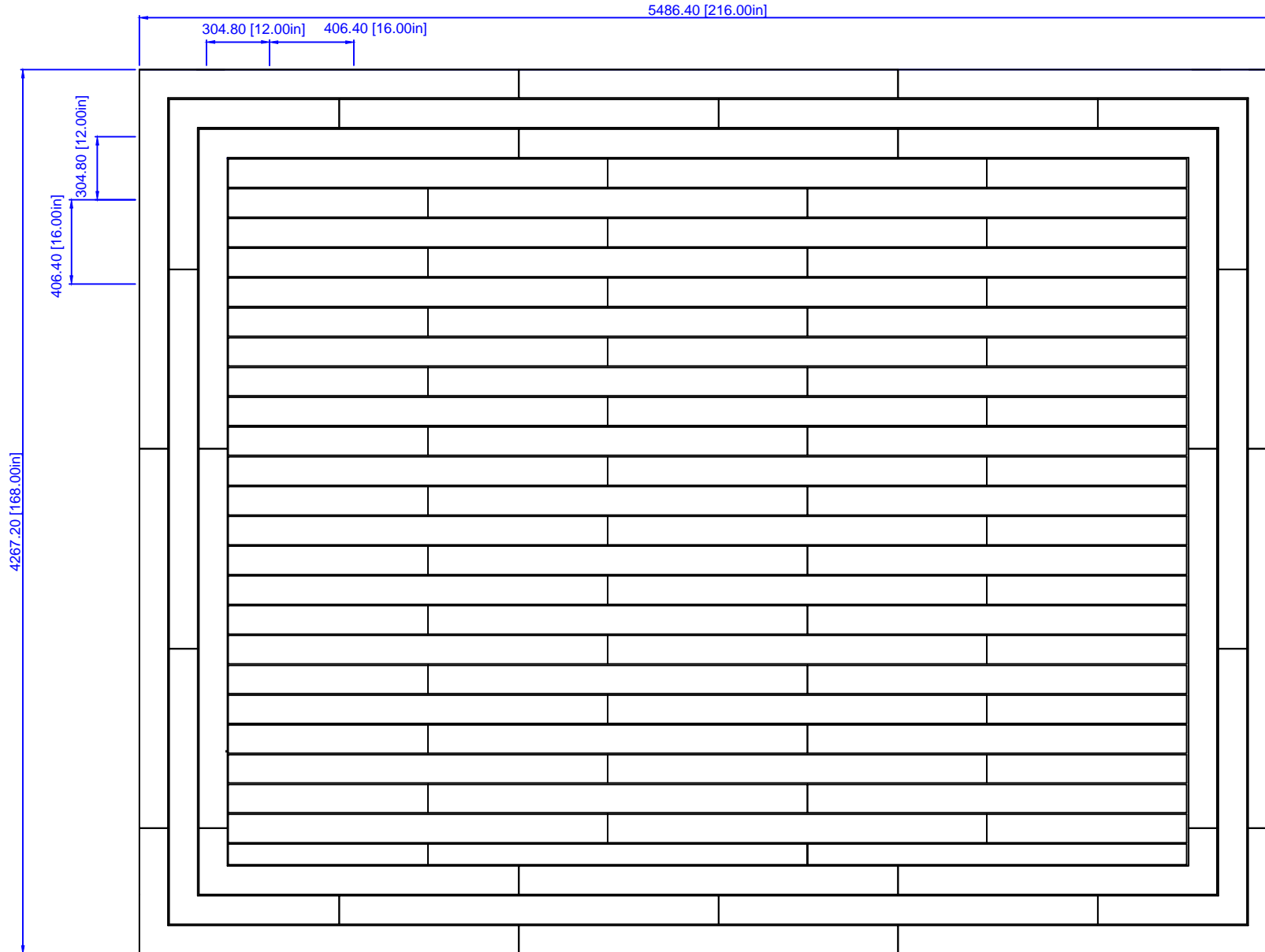
PAGE NO:



PRODUCT: XTR-DK20-G2-PP decking plank: 20mm x 137mm
 TITLE: Random 12", 16", 24" Center to Center
 DRAWN BY: Lina.L DATE: Jan 01, 2018 SCALE: 1:1 CONTACT: 1-404-691-6872
 FILE: XTR-DK20-G2-PP.DWG PRINTED:

Thickness tolerance: ±0.2mm
 Width tolerance: ±0.2mm
 length tolerance: ±1mm

SAP V:
 dasso XTR



Four sides:3 rows are reeded face, in the middle are smooth face

REVISED BY: Lina.L
REVISED DATE:

PAGE NO:

dassoXTR
Fused Bamboo® for Exterior Use

6090 Boat Rock Blvd SW
Atlanta, GA 30336
www.dassoxt.com
Tel: 1-404-691-6872

PRODUCT: XTR-DK20-G2-PP decking plank: 20mm x 137mm

TITLE: Framing 12", 16", 24" Center to Center

DRAWN BY: Lina.L DATE: Jan 01, 2018

SCALE: 1:1

CONTACT: 1-404-691-6872

FILE: XTR-DK20-G2-PP.DWG

PRINTED:

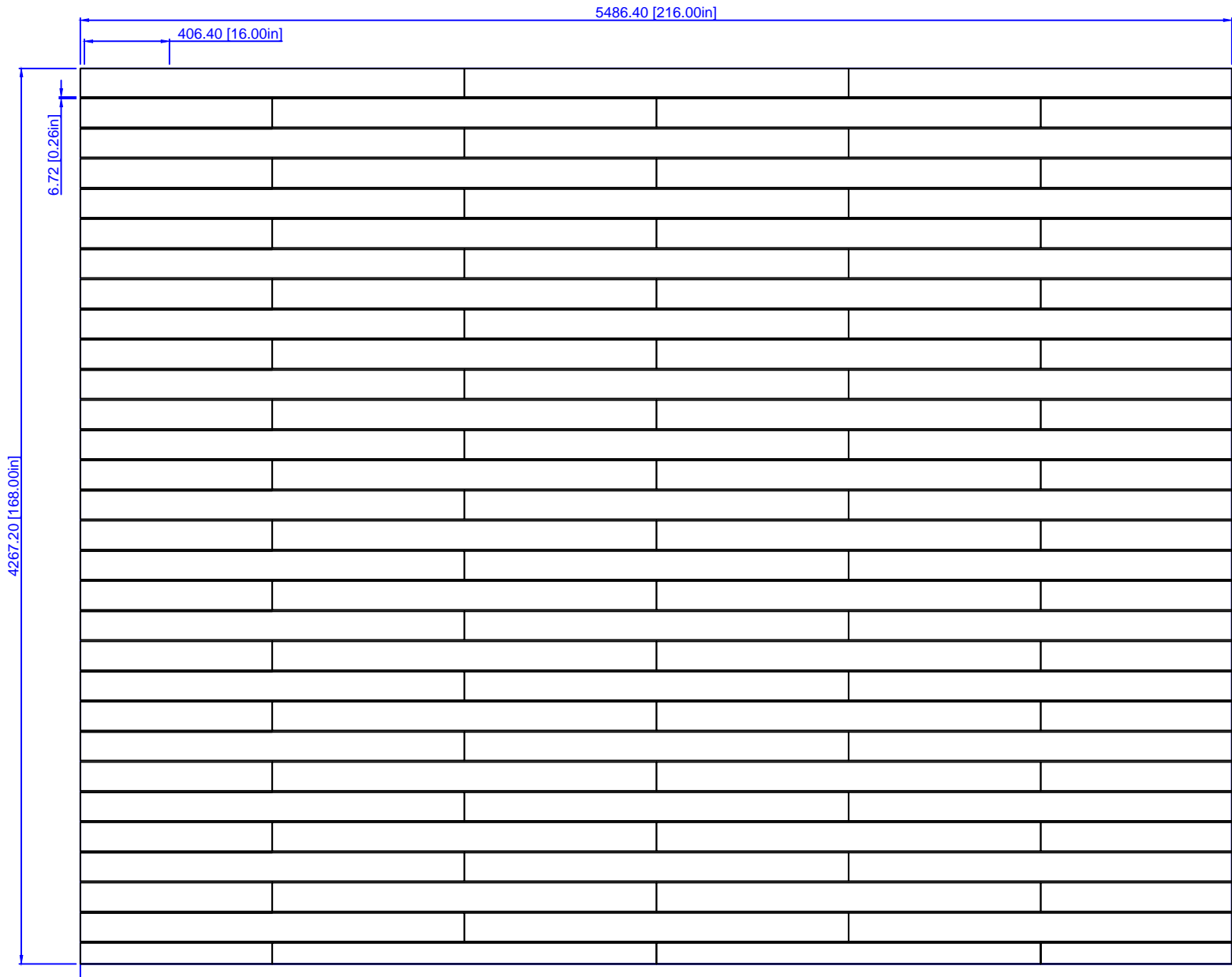
Thickness tolerance: ±0.2mm

Width tolerance: ±0.2mm

length tolerance: ±1mm

SAP V:

dasso XTR



REVISED BY: Lina.L
 REVISED DATE:
 SAP V:
 dasso XTR

REVISE ON:
 PAGE NO:



PRODUCT: XTR-DK20-G2-PP decking plank: 20mm x 137mm
 TITLE: Staggered 12", 16", 24" Center to Center
 DRAWN BY: Lina.L DATE: Jan 01, 2018 SCALE: 1:1 CONTACT: 1-404-691-6872
 FILE: XTR-DK20-G2-PP.DWG PRINTED:

Thickness tolerance: ±0.2mm
 Width tolerance: ±0.2mm
 length tolerance: ±1mm