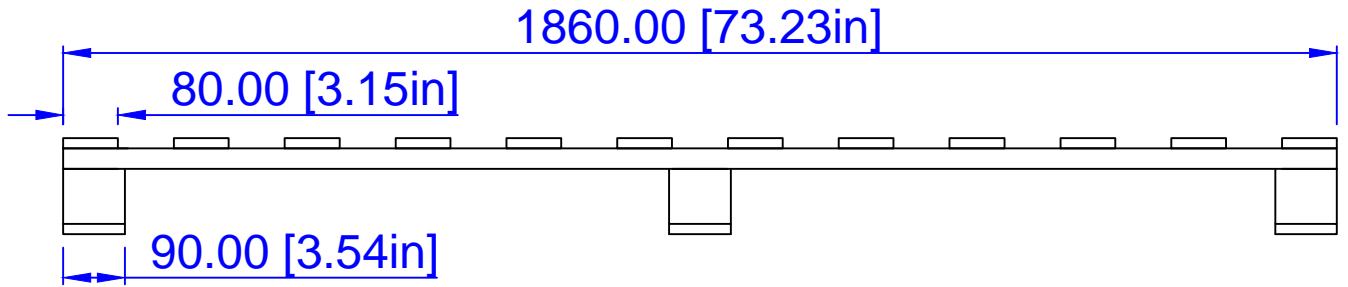
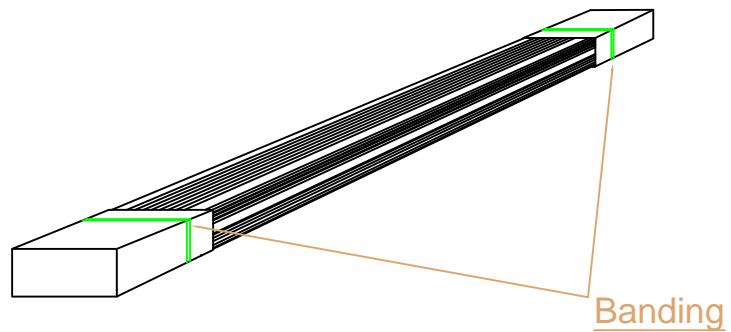
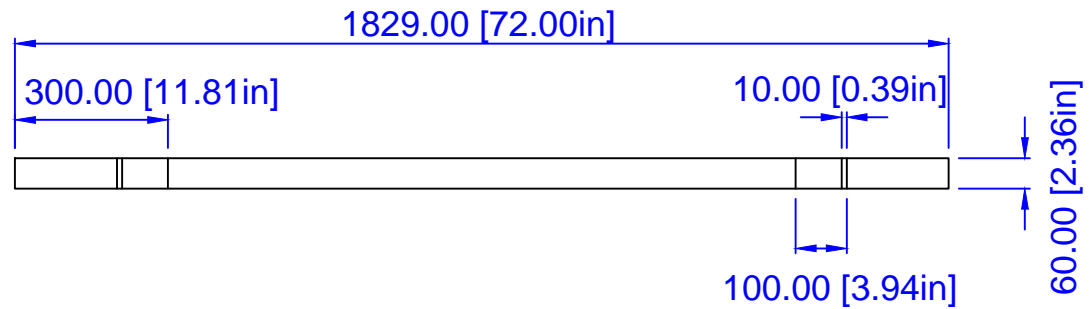


End view



Side view

REVISED BY: Lina.L REVISION DATE:	REVISION ON:	PAGE NO:	dassoXTR <i>Fused Bamboo® for Exterior Use</i> <small>6060 Boat Rock Blvd SW Atlanta, GA 30336 www.dassoxtf.com Tel: 1-404-691-6872</small>	PRODUCT: Wood Pallet Type 1120 TITLE: Wood Pallet Type 1120 DRAWN BY: Lina.L DATE: Jan 01, 2018 SCALE: 1:1 CONTACT: 1-404-691-6872 FILE: XTR-DK20-G2-PP.DWG	Thickness tolerance: ±1mm Width tolerance: ±1mm length tolerance: ±1mm
dasso XTR					



REVISED BY: Lina.L
REVISED DATE:

PAGE NO:



6980 Boat Rock Blvd SW
Atlanta, GA 30336
www.dassoxttr.com
Tel: 1-404-691-6872

PRODUCT: XTR-DK20-G2-PP decking plank: 20mm x 137mm

TITLE: Bundle Dimension

DRAWN BY: Lina.L DATE: Jan 01, 2018

SCALE: 1:1

CONTACT: 1-404-691-6872

FILE: XTR-DK20-G2-PP.DWG

PRINTED:

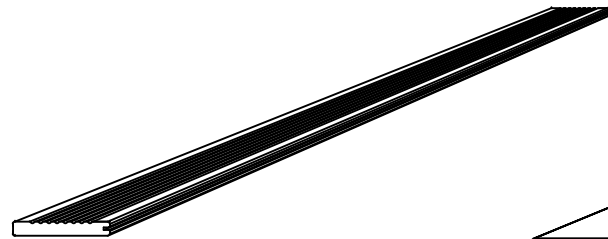
Thickness tolerance: $\pm 0.2\text{mm}$

Width tolerance: $\pm 0.2\text{mm}$

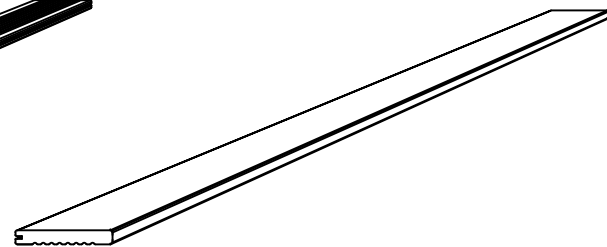
length tolerance: $\pm 1\text{mm}$

SAP V:

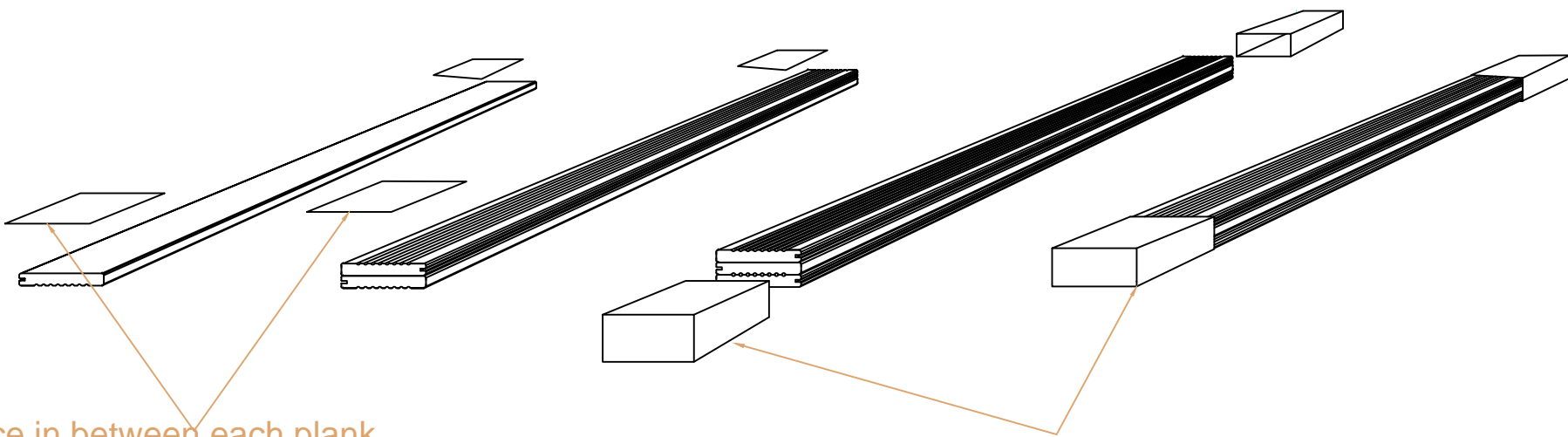
dasso XTR



Front view



Back view



Place in between each plank

Paper sleeves: place on each end of the bundle

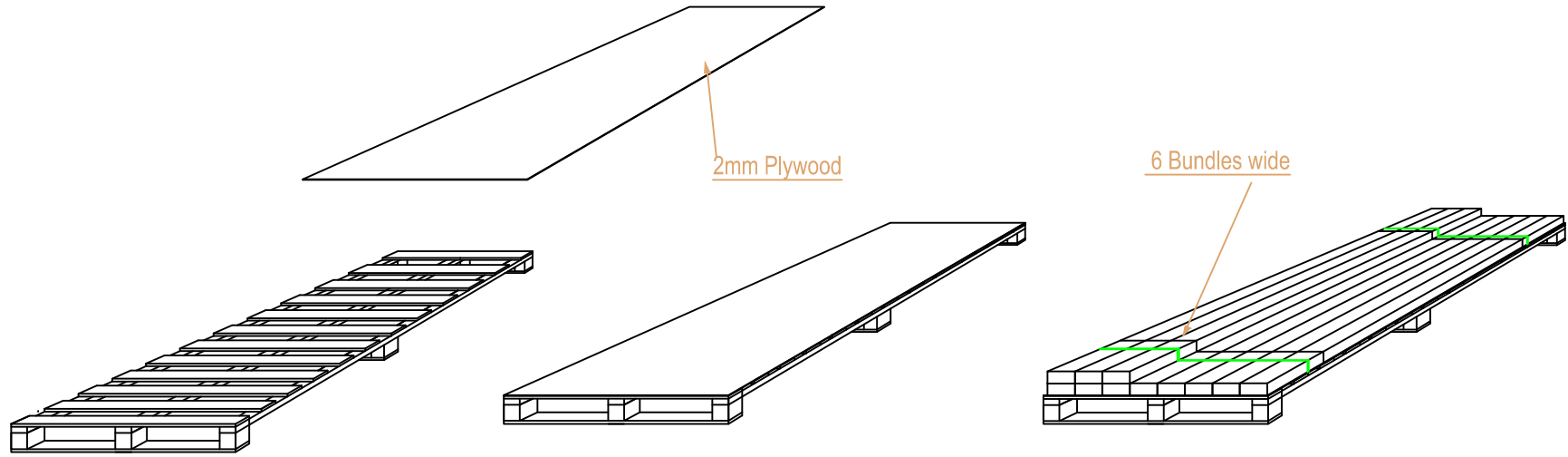
REVISOR: Lina.L
 REVISION:
 DATE:
 dasso XTR

PAGE NO:



PRODUCT: XTR-DK20-G2-PP decking plank: 20mm x 137mm
 TITLE: Decking Bundle Package Layout
 DRAWN BY: Lina.L DATE: Jan 01, 2018 SCALE: 1:1 CONTACT: 1-404-691-6872
 FILE: XTR-DK20-G2-PP.DWG PRINTED:

Thickness tolerance: ±0.2mm
 Width tolerance: ±0.2mm
 length tolerance: ±1mm

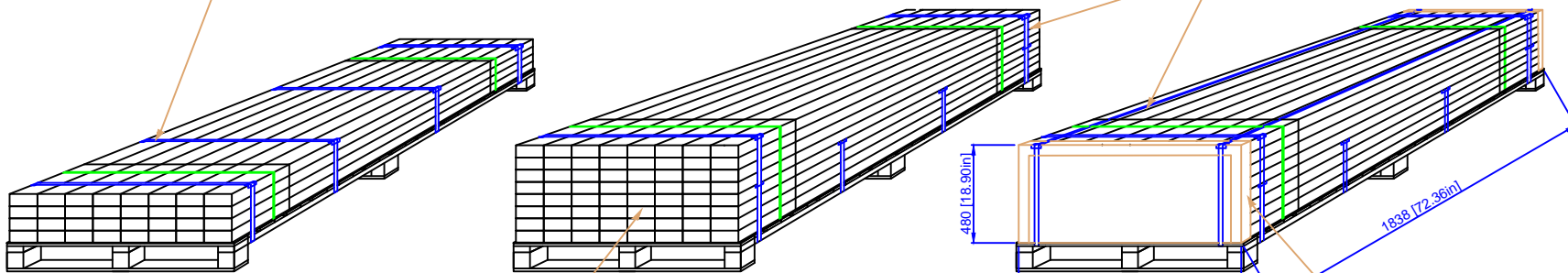


2mm Plywood

6 Bundles wide

There are 4 band in the middle of the pallet

There are 4 belts out of the pallet: before packaging the 4 belts, the wrap film is at least three layers and ensure full of the decking.



Layout: 8 rows x 8 layers

Corner guard on each corner

REVISED BY: Lina.L
REVISED DATE:

REVISE ON:

PAGE NO.:

dassoXTR
Fused Bamboo® for Exterior Use

6960 Boat Rock Blvd SW
Atlanta, GA 30336
www.dassoxttr.com
Tel: 1-404-691-6872

PRODUCT: XTR-DK20-G2-PP decking plank: 20mm x 137mm

TITLE: Pallet Layout

DRAWN BY: Lina.L DATE: Jan 01, 2018

SCALE: 1:1

CONTACT: 1-404-691-6872

FILE: XTR-DK20-G2-PP.DWG

PRINTED:

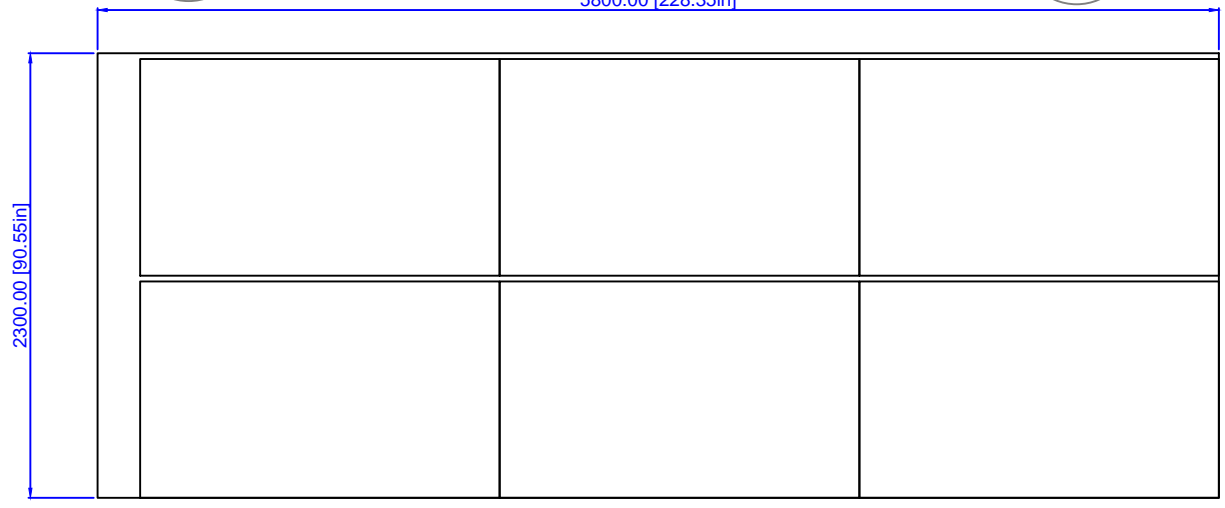
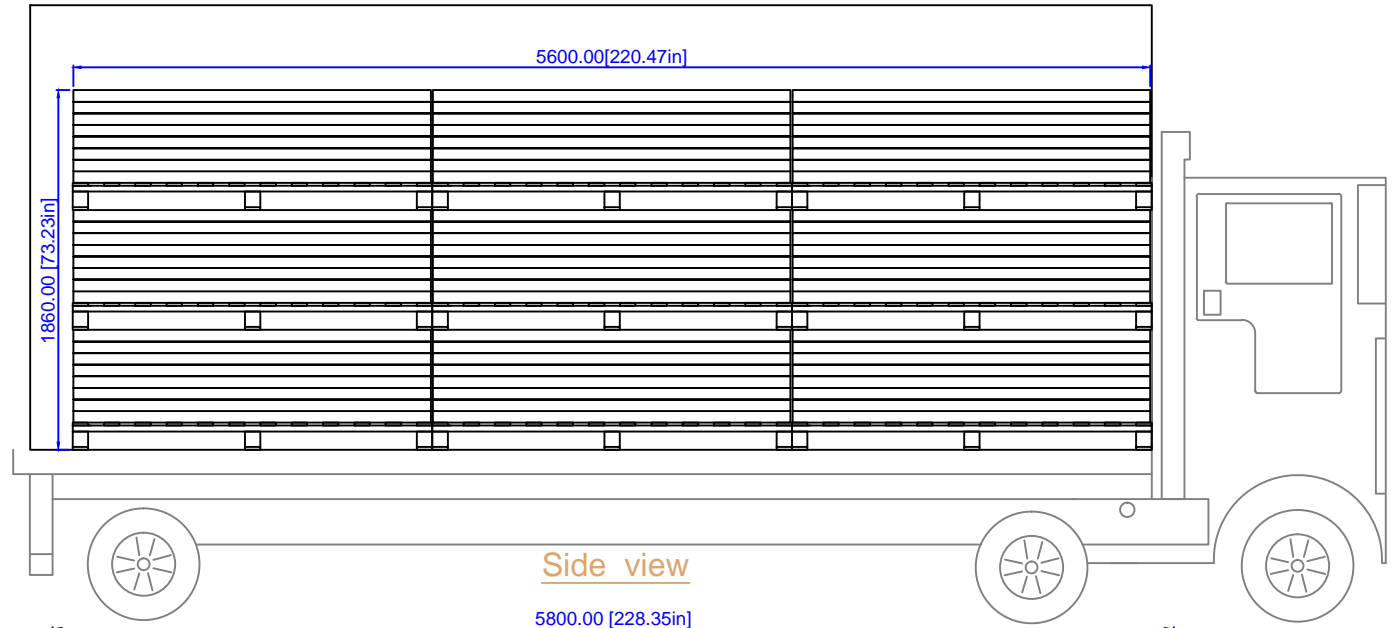
Thickness tolerance: ±1mm

Width tolerance: ±1mm

length tolerance: ±1mm

SAP V.:

dasso XTR



REVISED BY: Lina.L
REVISED DATE:

PAGE NO:



6060 Boat Rock Blvd SW
Atlanta, GA 30336
www.dassoxtf.com
Tel: 1-404-691-6872

PRODUCT: XTR-DK20-G2-PP decking plank: 20mm x 137mm

TITLE: 20' Container Loading—18 Pallet Max

DRAWN BY: Lina.L DATE: Jan 01, 2018

SCALE: 1:1

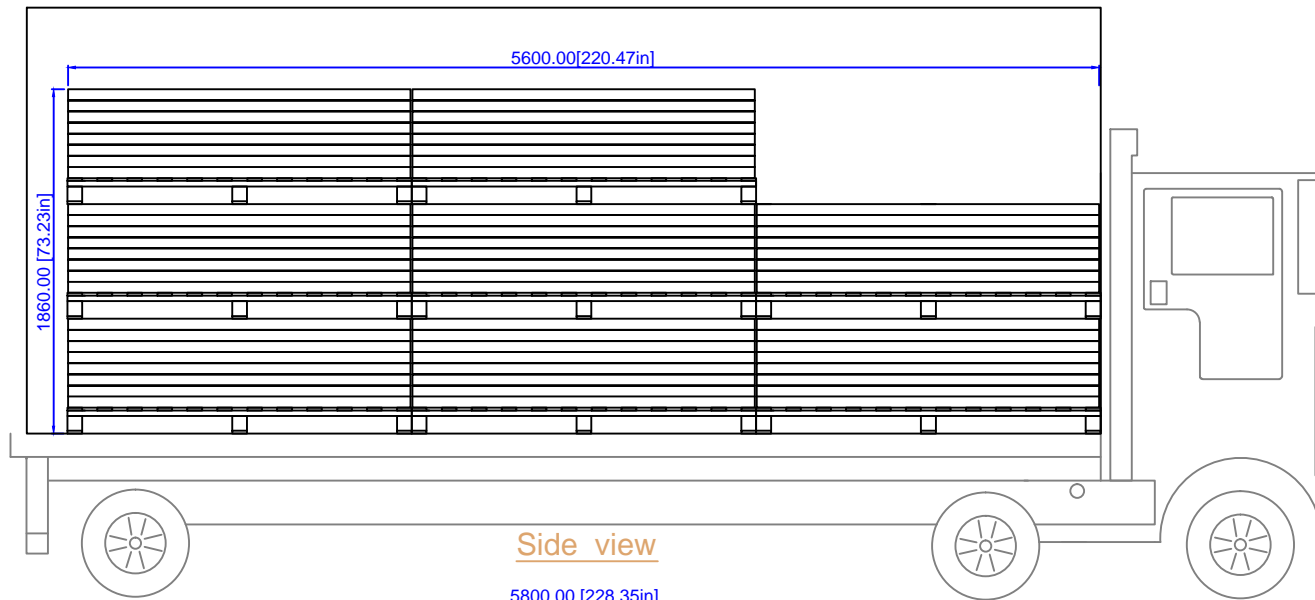
CONTACT: 1-404-691-6872

FILE: XTR-DK20-G2-PP.DWG

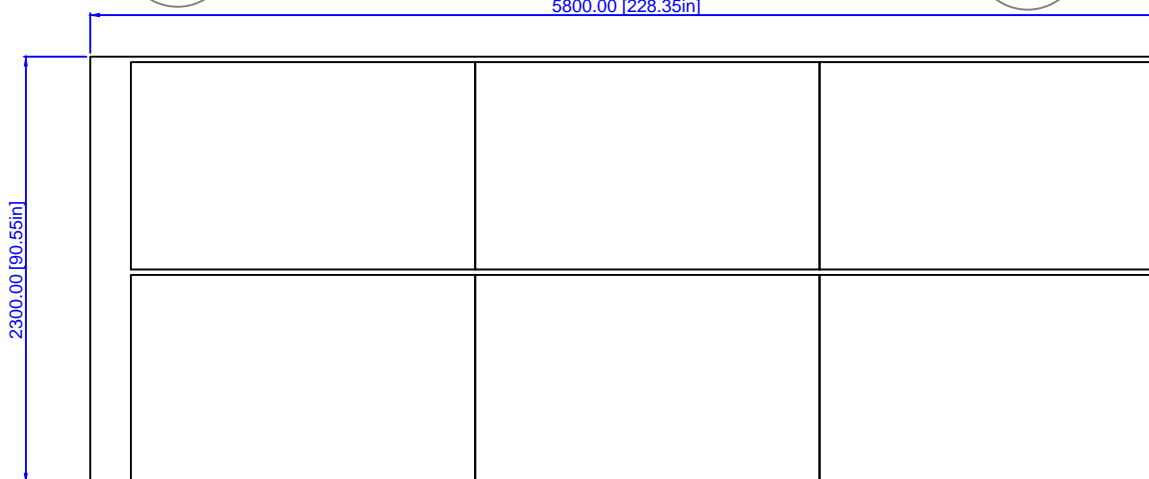
PRINTED:

Dimensions: Interior

SAP V:
dasso XTR



Side view



Top view

REVISED BY: Lina.L REVISED DATE:	REVISE ON:	PAGE NO.:	PRODUCT: XTR-DK20-G2-PP decking plank : 20mm x 137mm TITLE: 20' Container Loading—17 Pallet	Dimensions: Interior
SAP V: dasso XTR			DRAWN BY: Lina.L DATE: Jan 01, 2018 SCALE: 1:1 CONTACT: 1-404-691-6872	
			FILE: XTR-DK20-G2-PP.DWG PRINTED:	