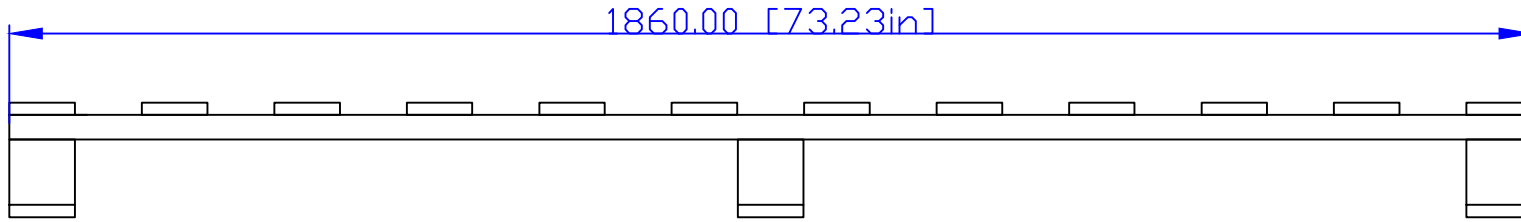
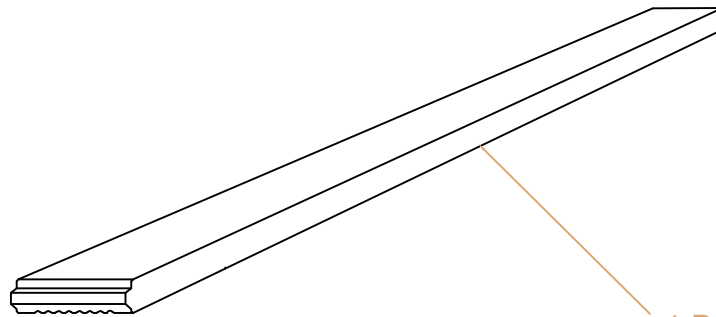
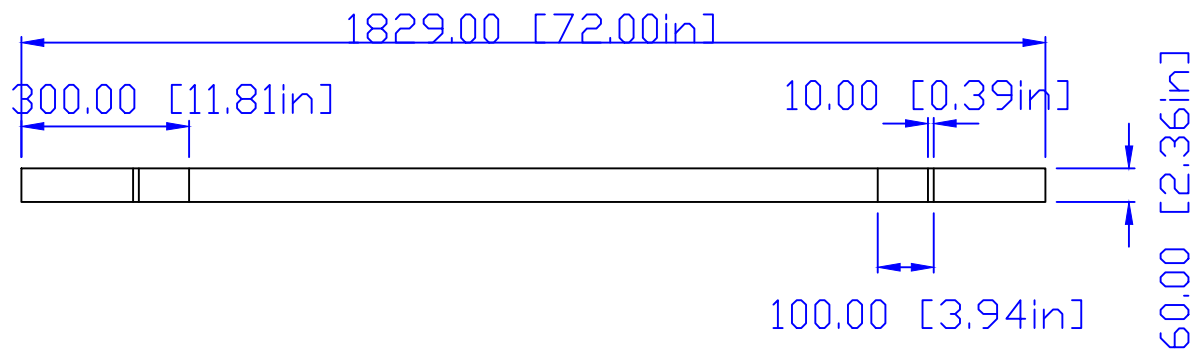


End view



Side view

REVISIONS: Lina.L dasso XTR	REVISIONS: Lina.L dasso XTR	PAGE NO.:	dassoXTR Fused Bamboo® for Exterior Use 6009 Buck Road Blvd SW Atlanta, GA 30336 www.dassoxt.com Tel: 1-404-691-6872	PRODUCT: Wood Pallet Type 1120 TITLE: Wood Pallet Type 1120 DRAWN BY: Lina.L DATE: Jan 01, 2018 SCALE: 1:1 CONTACT: 1-404-691-6872 FILE: XTR-DK40-G0-PP.DWG	Thickness tolerance: ±1mm Width tolerance: ±1mm length tolerance: ±1mm
-----------------------------------	-----------------------------------	-----------	--	--	--



1 PCS = 1 Bundle

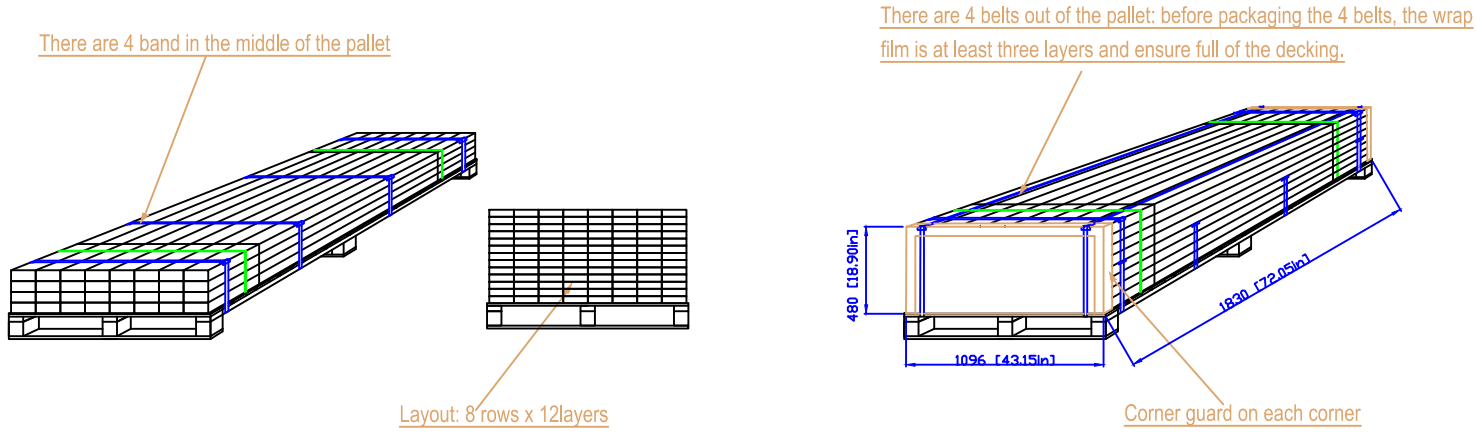
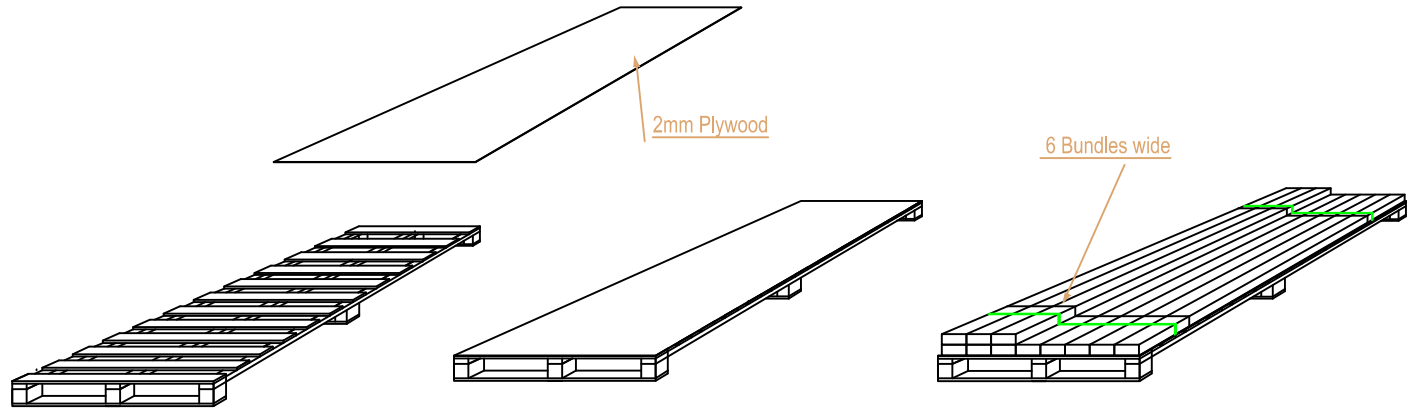
REVISED BY: Lina.L
 REVISED DATE:
 SAP V:
 dasso XTR

PAGE NO:



PRODUCT: XTR-DK40-G0-PP Heavy Commercial Decking: 40mm x 137mm
 TITLE: Bundle Dimension
 DRAWN BY: Lina.L DATE: Jan 01, 2018 SCALE: 1:1 CONTACT: 1-404-691-6872
 FILE: XTR-DK40-G0-PP.DWG PRINTED:

Thickness tolerance: ±0.2mm
 Width tolerance: ±0.2mm
 length tolerance: ±1mm



REVISED BY: Lina.L
REVISED DATE:

REVISION: Lina.L
PAGE NO:



PRODUCT: XTR-DK40-G0-PP Heavy Commercial Decking : 40mm x 137mm

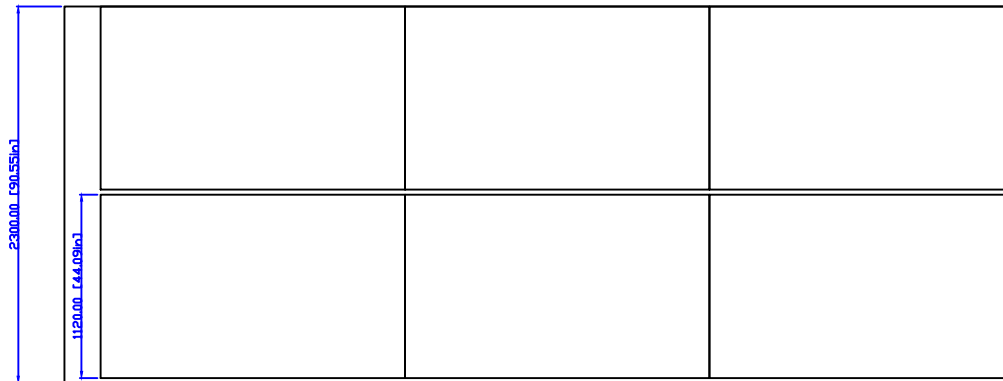
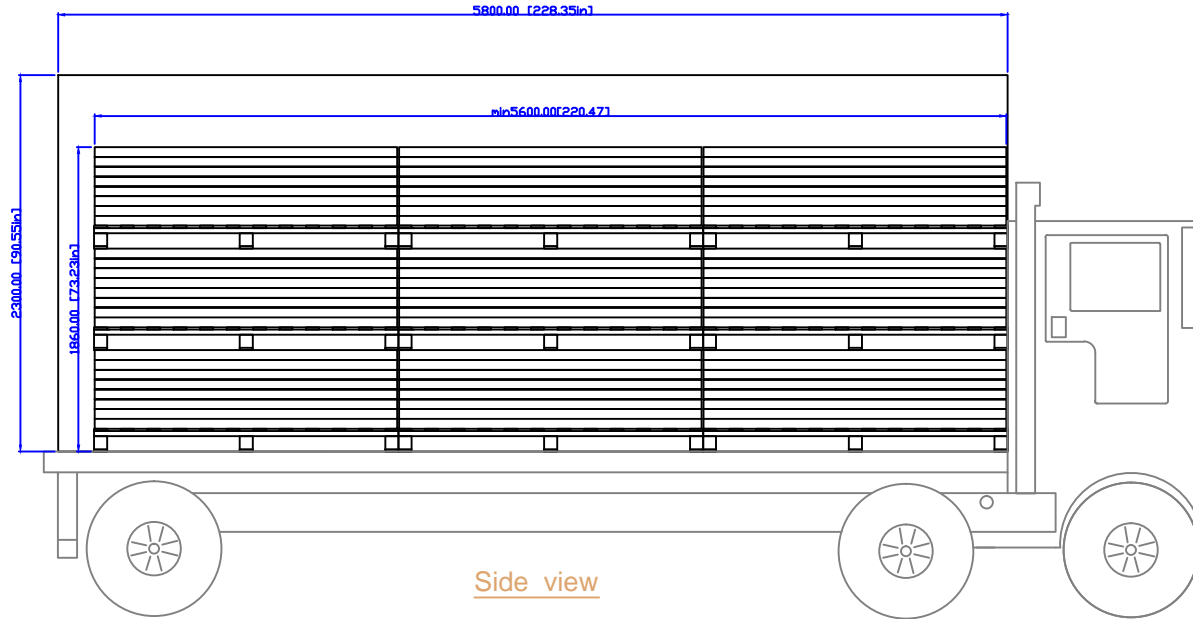
TITLE: Pallet Layout

DRAWN BY: Lina.L DATE: Jan 01, 2018 SCALE: 1:1 CONTACT: 1-404-691-6872

FILE: XTR-DK40-G0-PP.DWG PRINTED:

Thickness tolerance: ±0.2mm
Width tolerance: ±0.2mm
length tolerance: ±1mm

dasso XTR



REVISED BY: Lina.L
REVISED DATE:

REVISE ON:

PAGE NO.:

SMP V:
dasso XTR



PRODUCT: XTR-DK40-G0-PP Heavy Commercial Decking : 40mm x 137mm

TITLE: 20' Container Loading—18 Pallet Max

DRAWN BY: Lina.L DATE: Jan 01, 2018

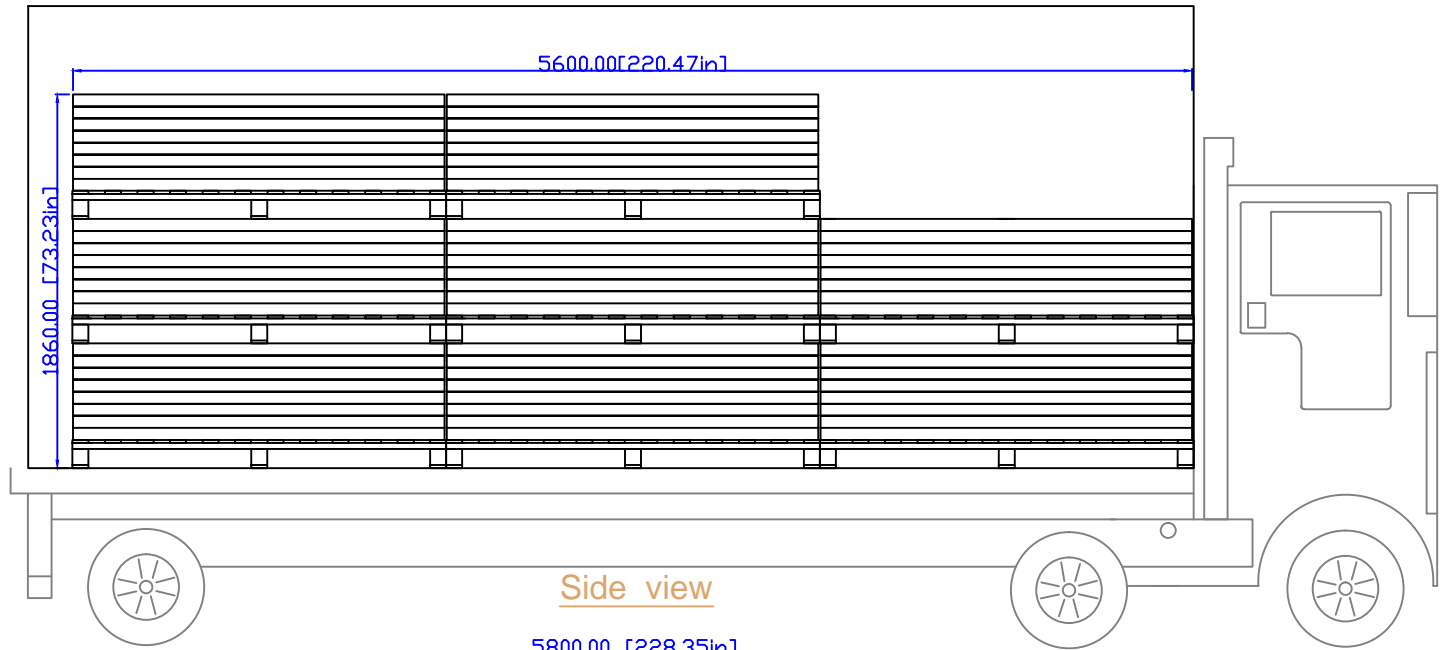
SCALE: 1:1

CONTACT: 1-404-691-6872

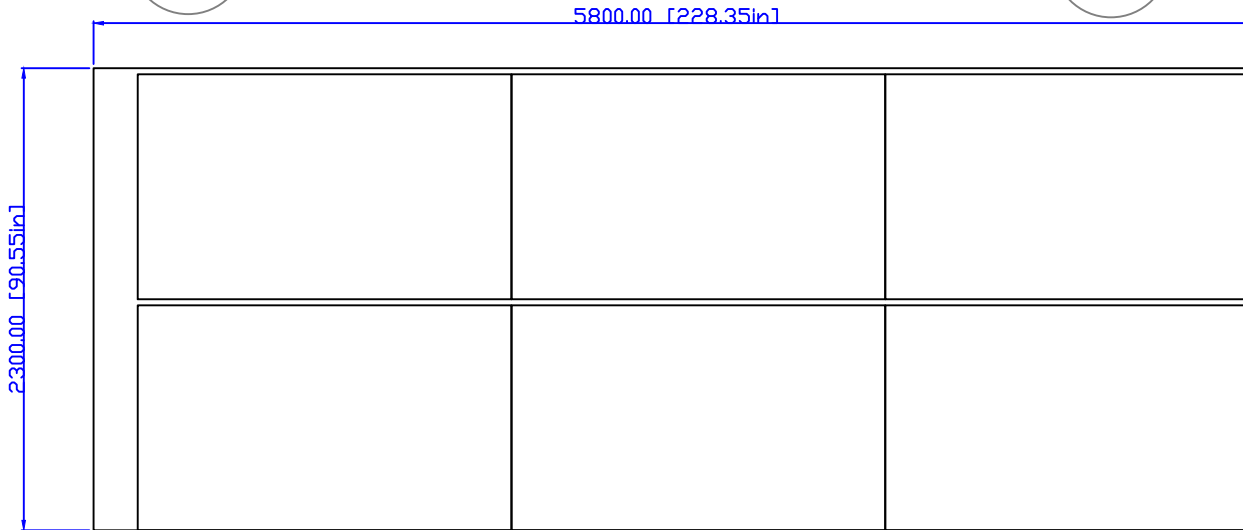
FILE: XTR-DK40-G0-PP.DWG

PRINTED:

Dimensions: Interior



Side view



Top view

REVISED BY: Lina.L
REVISED DATE:

REVISION:

PAGE NO.:

BRN:

dasso XTR



PRODUCT: XTR-DK40-G0-PP Heavy Commercial Decking: 40mm x 137mm

TITLE: 20' Container Loading—17 Pallet

DRAWN BY: Lina.L DATE: Jan 01, 2018

SCALE: 1:1

CONTACT: 1-404-691-6872

FILE: XTR-DK40-G0-PP.DWG

PRINTED:

Dimensions: Interior