

End view

Side view

REVISED BY: Lina.L
REVISED DATE:

REVISION ON:

PAGE NO:

SAP V:

dasso XTR

dassoXTR
Fused Bamboo® for Exterior Use

6060 Boat Rock Blvd SW
Atlanta, GA 30336
www.dassoxtf.com
Tel: 1-404-691-6872

PRODUCT: Wood Pallet Type 1120

TITLE: Wood Pallet Type 1120

DRAWN BY: Lina.L DATE: Jan 01, 2018

SCALE: 1:1

CONTACT: 1-404-691-6872

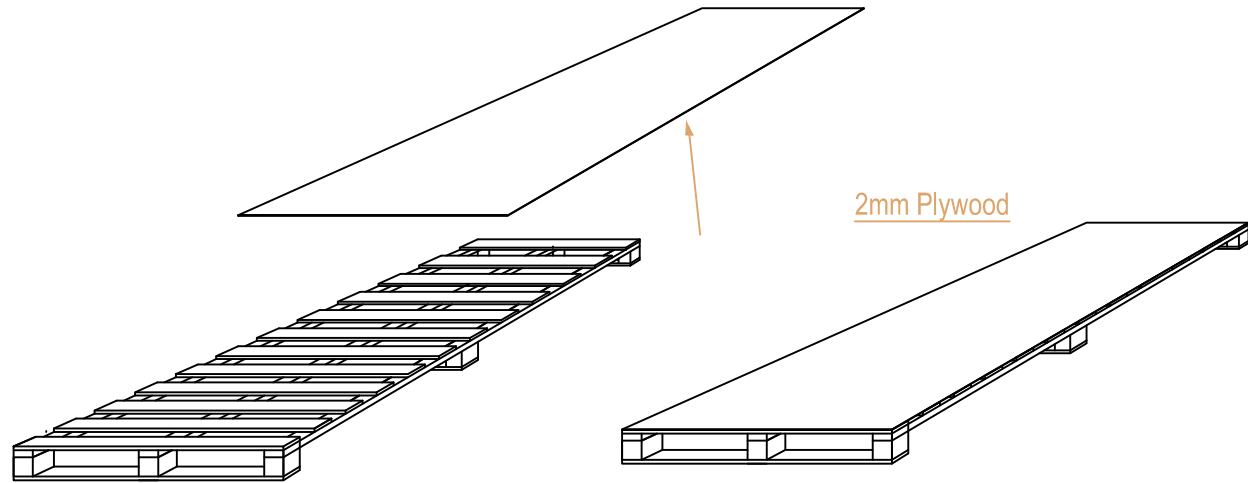
FILE: EPC-PAN20H.DWG

PRINTED:

Thickness tolerance: ±1mm

Width tolerance: ±1mm

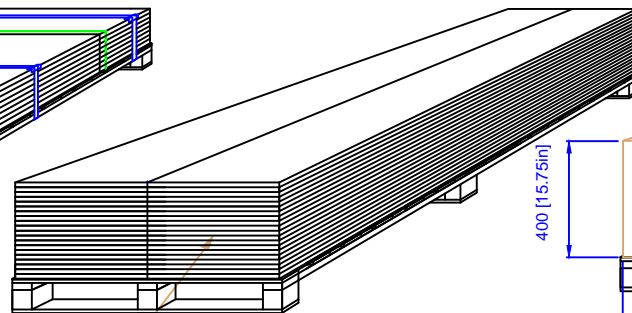
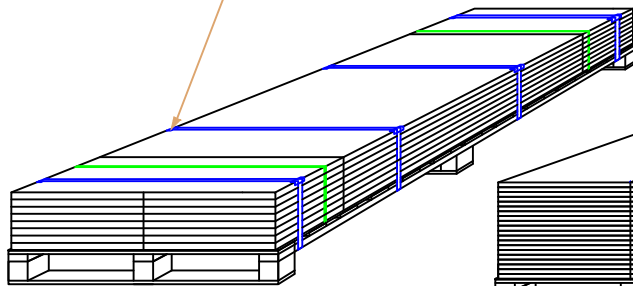
length tolerance: ±1mm



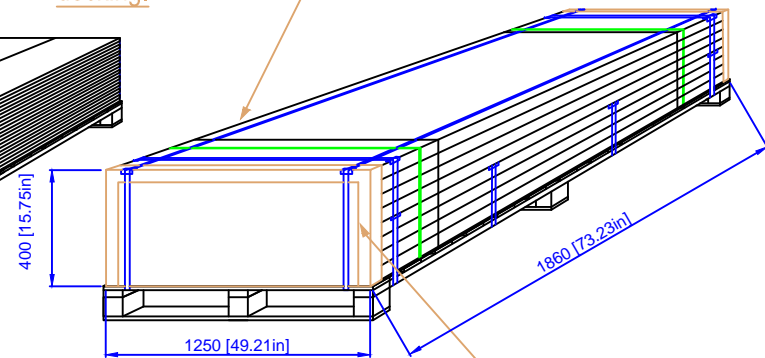
2mm Plywood

There are 4 band in the middle of the pallet

There are 4 belts out of the pallet: before packaging the 4 belts, the wrap film is at least three layers and ensure full of the decking.



Layout: 2 rows x 20 layers



Corner guard on each corner

REVISED BY: Lina.L
REVISED DATE:

REVISE ON:

PAGE NO:

dassoXTR
Fused Bamboo® for Exterior Use

6060 Boat Rock Blvd SW
Atlanta, GA 30336
www.dassoxttr.com
Tel: 1-404-691-6872

PRODUCT: EPC-PAN20H

TITLE: Pallet Layout

DRAWN BY: Lina.L DATE: Jan 01, 2018

SCALE: 1:1

CONTACT: 1-404-691-6872

FILE: EPC-PAN20H.DWG

PRINTED:

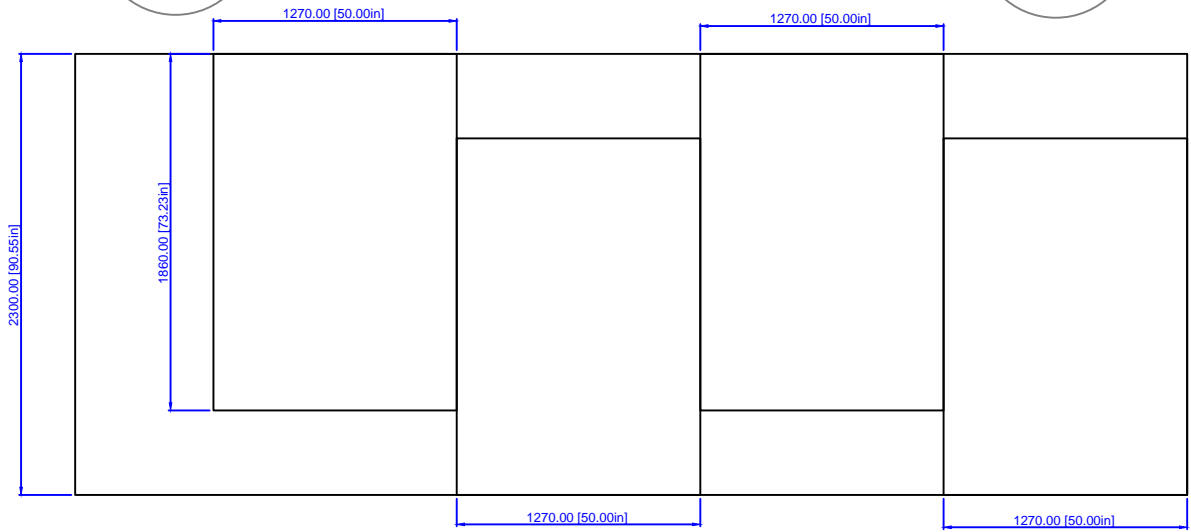
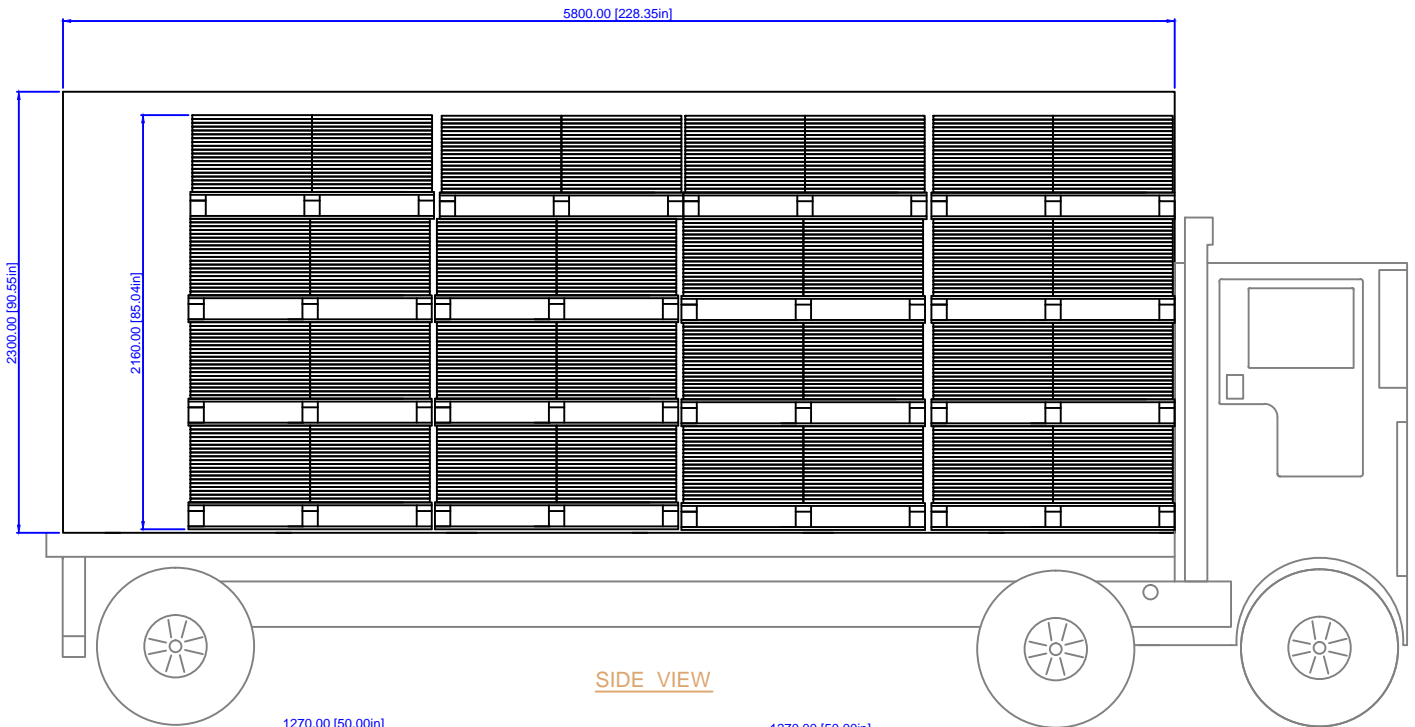
Thickness tolerance: ±1mm

Width tolerance: ±1mm

length tolerance: ±1mm

SAP V:

dasso XTR



REVISED BY: Lina.L
 REVISED DATE:
 SAP-V:
 dasso XTR

PAGE NO:



PRODUCT: EPC-PAN20H
 TITLE: 20' Container Loading—16 Pallet Max
 DRAWN BY: Lina.L DATE: Jan 01, 2018 SCALE: 1:1 CONTACT: 1-404-691-6872
 FILE: EPC-PAN20H.DWG PRINTED:

Dimensions: Interior