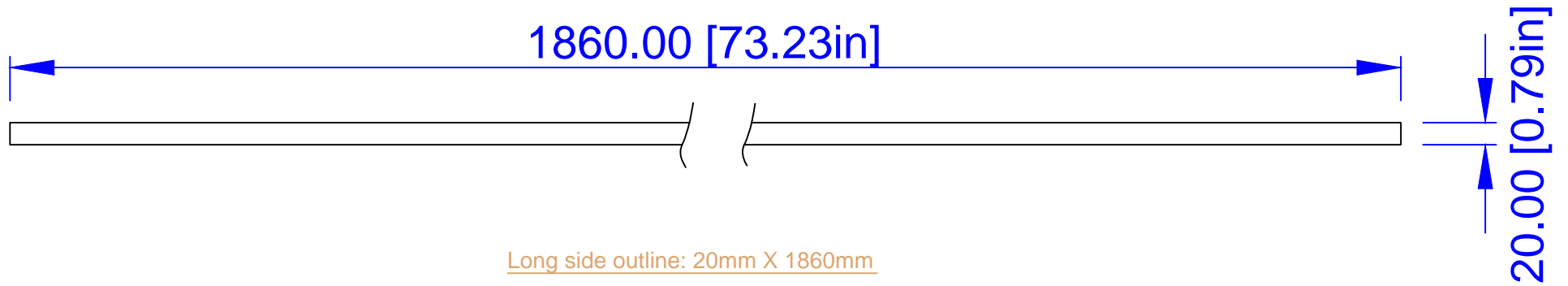
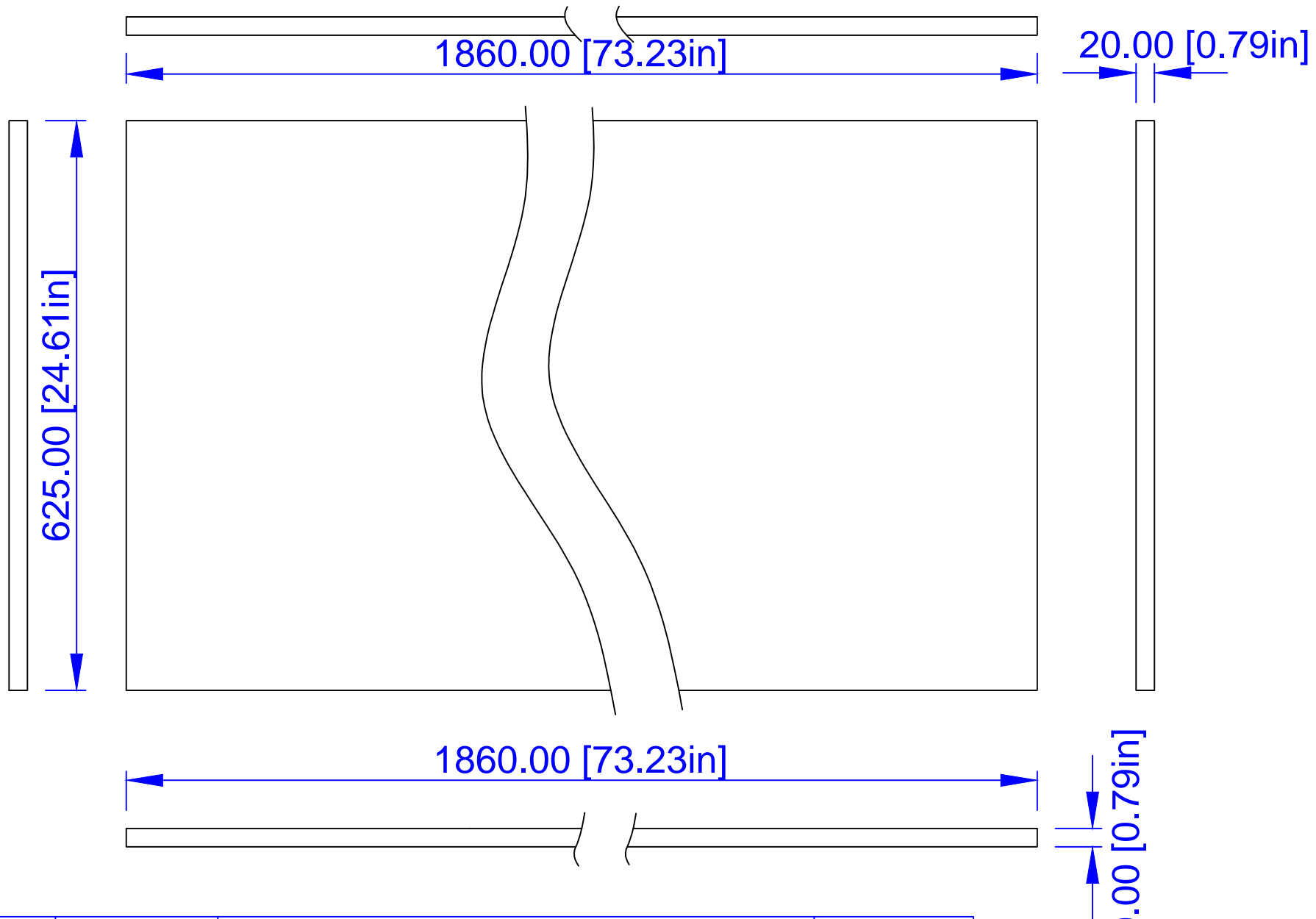


Short side outline: 20mm X625mm



Long side outline: 20mm X 1860mm

REVISED BY: Lina.L REVISED DATE:	REVISE ON:	PAGE NO:	<b>dassoXTR</b> <i>Fused Bamboo™ for Exterior Use</i> <small>6650 Boat Rock Blvd SW          Atlanta, GA 30336          www.dassoxtf.com          Tel: 1-404-691-6872</small>	PRODUCT: EPC-PAN20H TITLE: Profile	Thickness tolerance: ±0.2mm Width tolerance: ±0.2mm length tolerance: ±1mm
SAP V: dasso XTR				DRAWN BY: Lina.L DATE: Jan 01, 2018 SCALE: 1:1 CONTACT: 1-404-691-6872 FILE: EPC-PAN20H.DWG PRINTED:	



REVISED BY: Lina.L REVISED DATE:	REVISE ON:	PAGE NO.:	<b>dassoXTR</b> Fused Bamboo® for Exterior Use <small>6060 Boat Rock Blvd SW          Atlanta, GA 30336  <a href="http://www.dassoxttr.com">www.dassoxttr.com</a>          Tel: 1-404-691-6872</small>			PRODUCT: EPC-PAN20H TITLE: Overview DRAWN BY: Lina.L DATE: Jan 01, 2018 SCALE: 1:1 CONTACT: 1-404-691-6872 FILE: EPC-PAN20H.DWG	Thickness tolerance: ±0.2mm Width tolerance: ±0.2mm length tolerance: ±1mm
dasso XTR			PRINTED:				

20.00 [0.79in]