

REVISED BY: Lina.L
REVISOR: Lina.L
REVISOR DATE:

PAGE NO:

dassoXTR
Fused Bamboo® for Exterior Use

6060 Boat Rock Blvd SW
Atlanta, GA 30336
www.dassoxt.com
Tel: 1-404-691-6872

PRODUCT: Wood Pallet Type 1120

Side view

Thickness tolerance: ±1mm

Width tolerance: ±1mm

length tolerance: ±1mm

SAP V:

dasso XTR

TITLE: Wood Pallet Type 1120

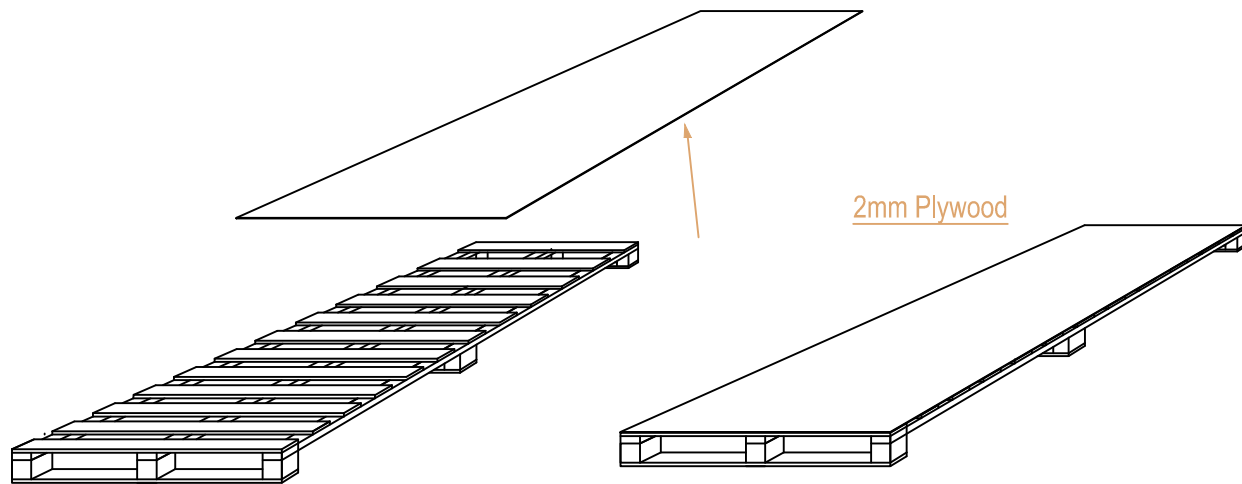
DRAWN BY: Lina.L DATE: Jan 01, 2018

SCALE: 1:1

CONTACT: 1-404-691-6872

FILE: XTR-PAN20H.DWG

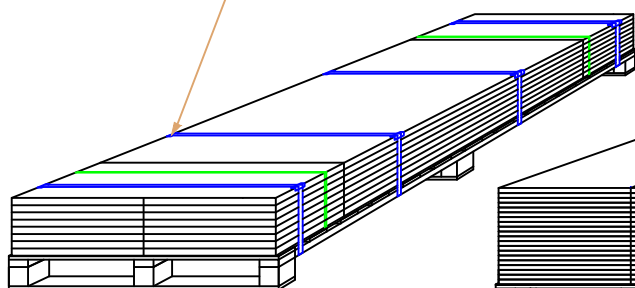
PRINTED:



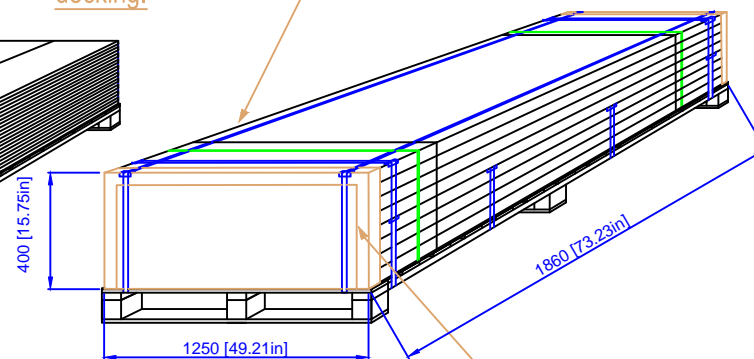
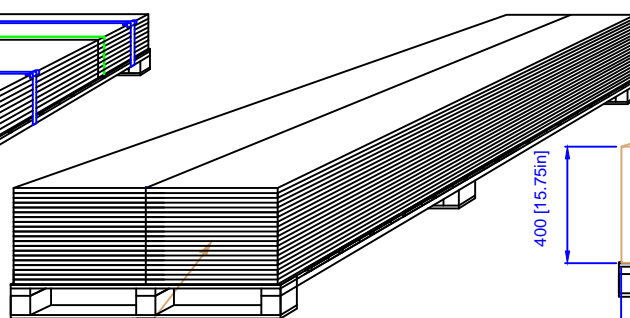
2mm Plywood

There are 4 band in the middle of the pallet

There are 4 belts out of the pallet: before packaging the 4 belts, the wrap film is at least three layers and ensure full of the decking.



Layout: 2 rows x 20 layers

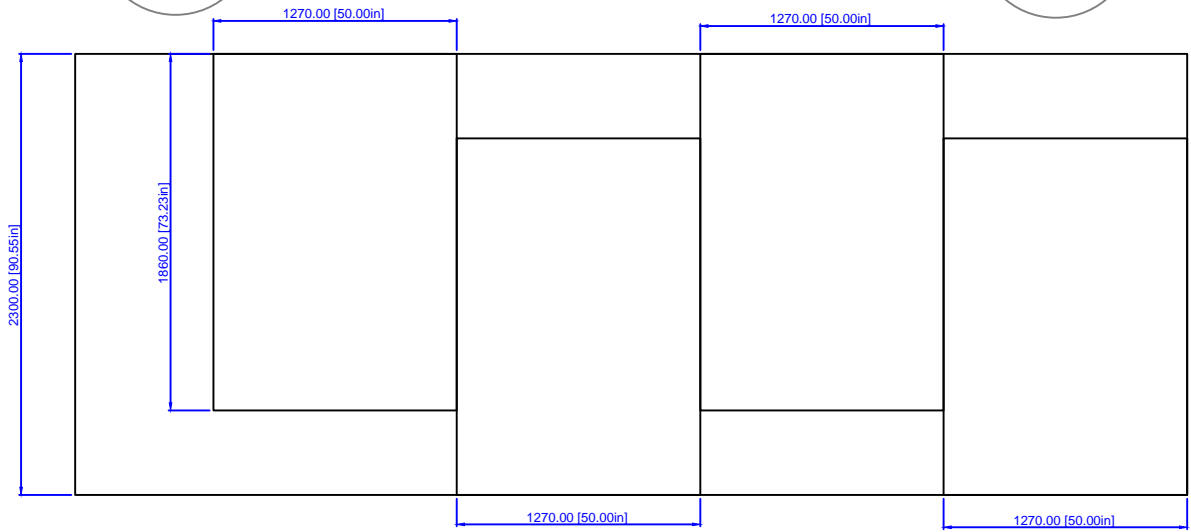
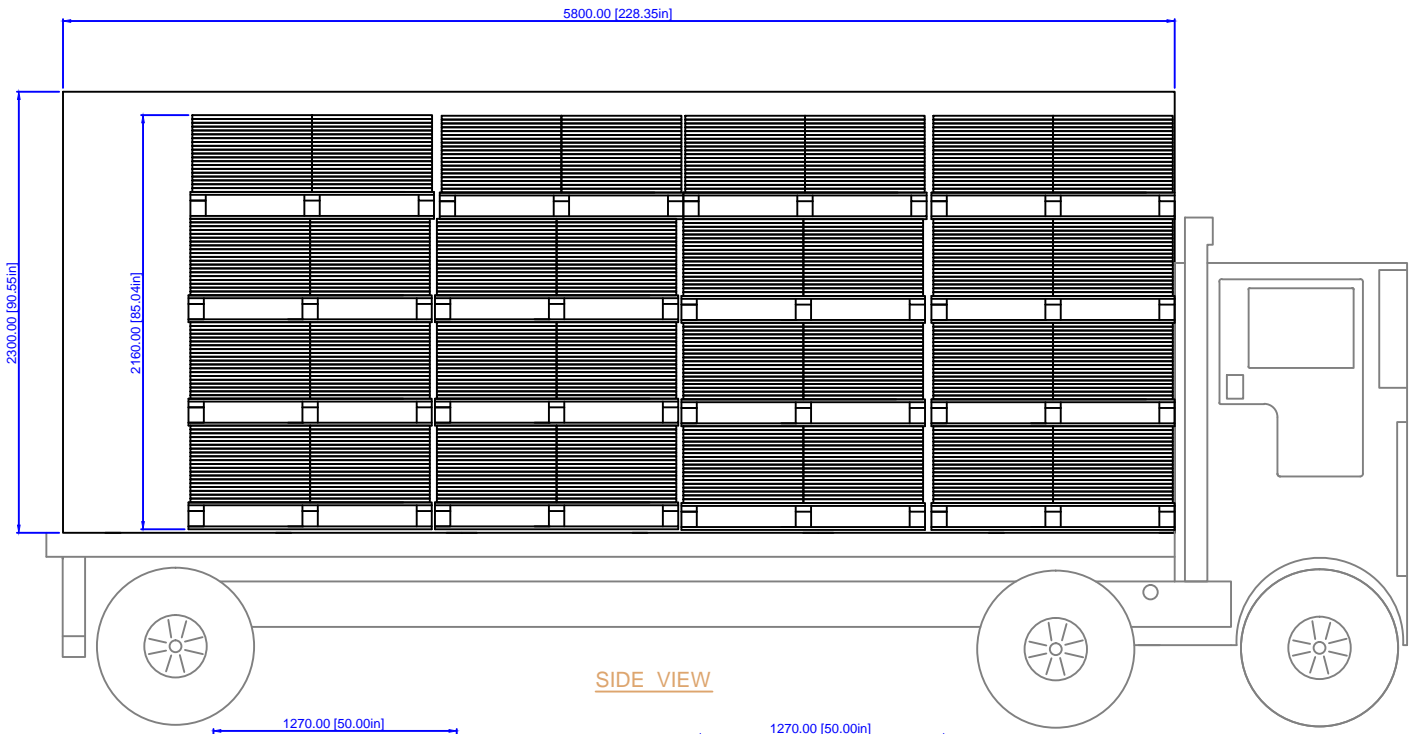


Corner guard on each corner

REVISOR: Lina.L	REVISION: REVISED DATE:	PAGE NO.:
SAP V.:		
dasso XTR		



PRODUCT: XTR-PAN20H	THICKNESS TOLERANCE: ±1mm
TITLE: Pallet Layout	WIDTH TOLERANCE: ±1mm
DRAWN BY: Lina.L DATE: Jan 01, 2018 SCALE: 1:1 CONTACT: 1-404-691-6872	LENGTH TOLERANCE: ±1mm
FILE: XTR-PAN20H.DWG	PRINTED:



REVISED BY: Lina.L
 REVISED DATE:
 SAP-V:
 dasso XTR

PAGE NO:



PRODUCT: XTR-PAN20H
 TITLE: 20' Container Loading—16 Pallet Max
 DRAWN BY: Lina.L DATE: Jan 01, 2018 SCALE: 1:1 CONTACT: 1-404-691-6872
 FILE: XTR-PAN20H.DWG PRINTED:

Dimensions: Interior