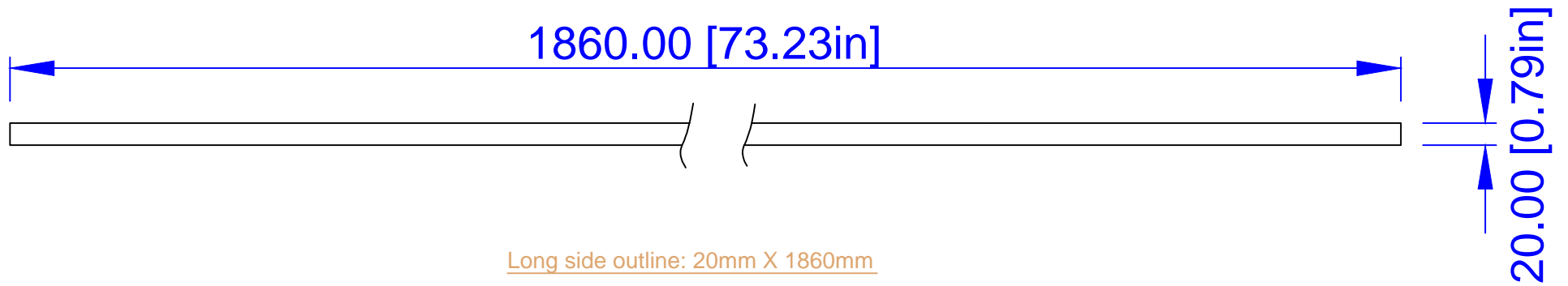
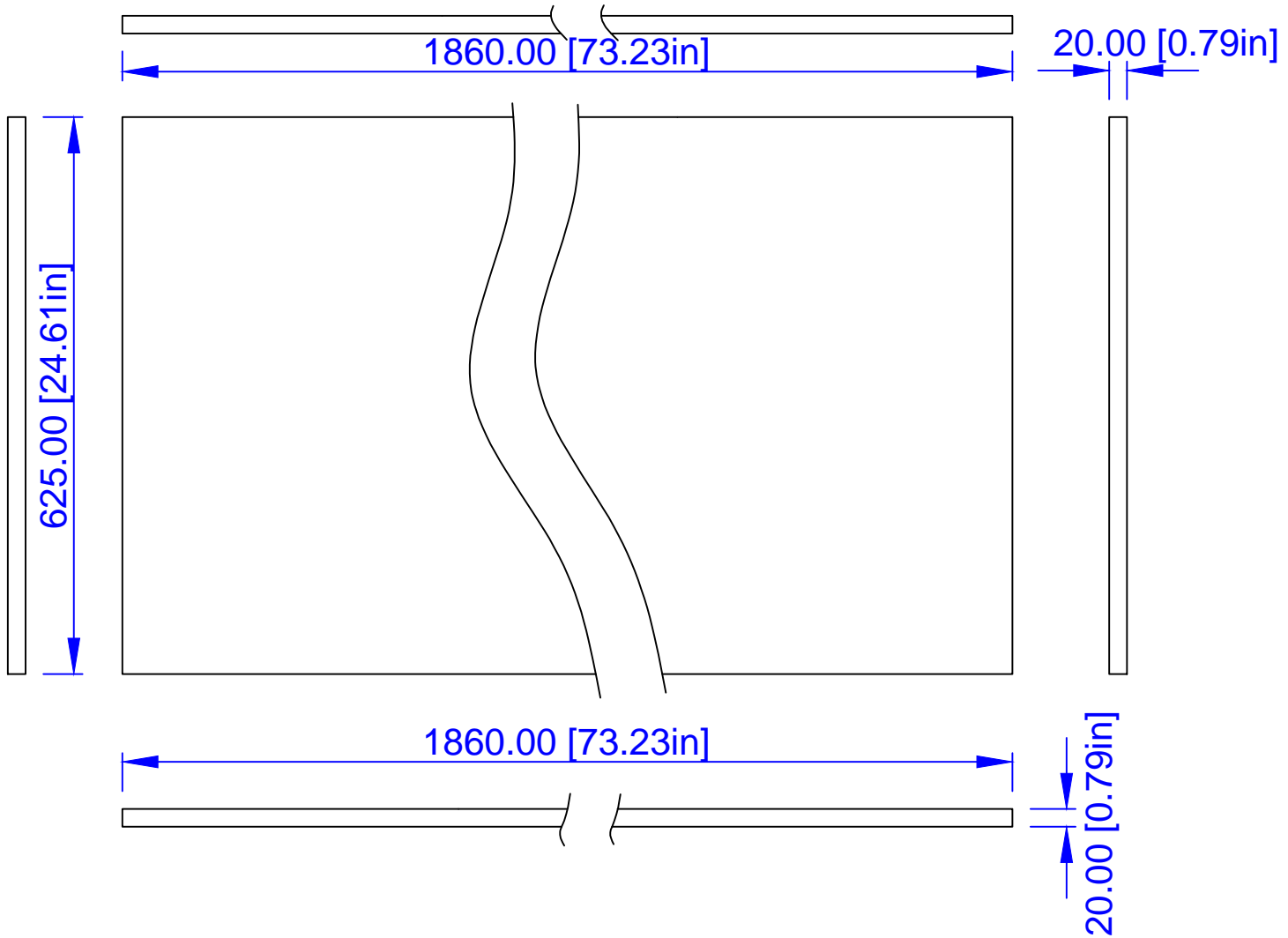


Short side outline: 20mm X625mm



Long side outline: 20mm X 1860mm

REVISED BY: Lina.L REVISED DATE:	REVISE ON:	PAGE NO:	dassoXTR <i>Fused Bamboo™ for Exterior Use</i> <small>6650 Boat Rock Blvd SW Atlanta, GA 30336 www.dassoxtf.com Tel: 1-404-691-6872</small>	PRODUCT: XTR-PAN20H TITLE: Profile	Thickness tolerance: ±0.2mm Width tolerance: ±0.2mm length tolerance: ±1mm
SAP V: dasso XTR				DRAWN BY: Lina.L DATE: Jan 01, 2018 SCALE: 1:1 CONTACT: 1-404-691-6872 FILE: XTR-PAN20H.DWG PRINTED:	



REVISED BY: Lina.L	REVISE ON:	PAGE NO.:
SAP V.:		
dasso XTR		



PRODUCT: XTR-PAN20H			
TITLE: Overview			
DRAWN BY: Lina.L	DATE: Jan 01, 2018	SCALE: 1:1	CONTACT: 1-404-691-6872
FILE: XTR-PAN20H.DWG		PRINTED:	

Thickness tolerance: ±0.2mm
Width tolerance: ±0.2mm
length tolerance: ±1mm