

REVISED BY: Lina.L  
REVISED DATE:

PAGE NO:

**dassoXTR**  
Fused Bamboo® for Exterior Use

6060 Boat Rock Blvd SW  
Atlanta, GA 30336  
www.dassoxtf.com  
Tel: 1-404-691-6872

PRODUCT: Wood Pallet Type 1120

TITLE: Wood Pallet Type 1120

DRAWN BY: Lina.L DATE: Jan 01, 2018

SCALE: 1:1

CONTACT: 1-404-691-6872

FILE: XTR-PAN40H.DWG

PRINTED:

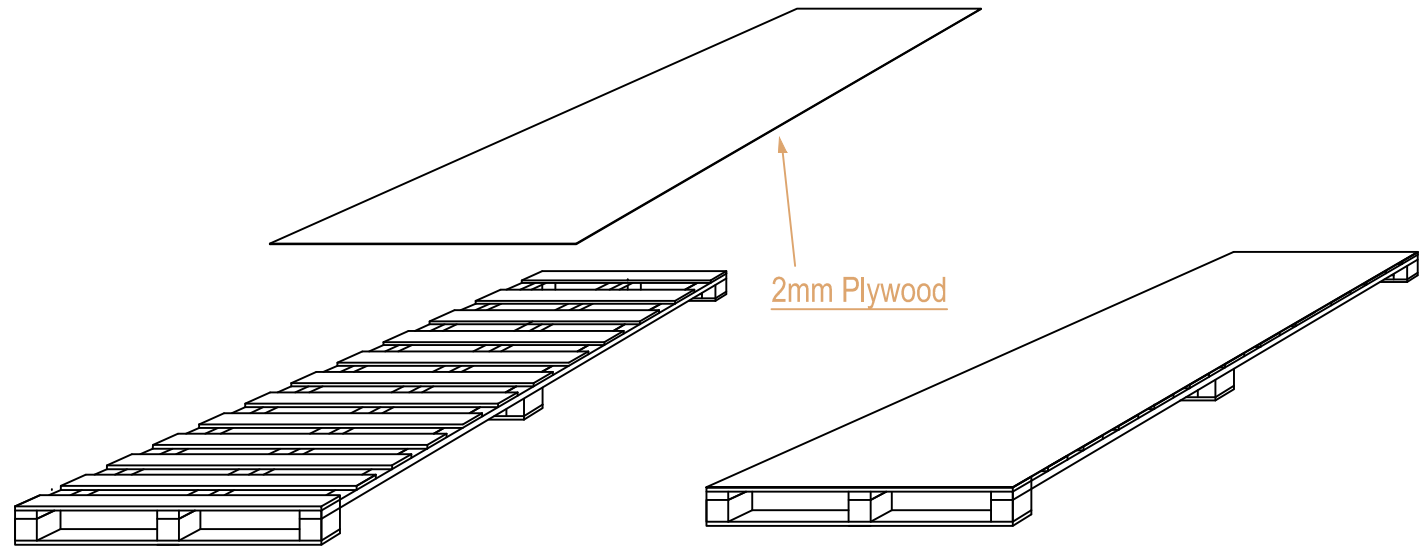
Thickness tolerance: ±1mm

Width tolerance: ±1mm

length tolerance: ±1mm

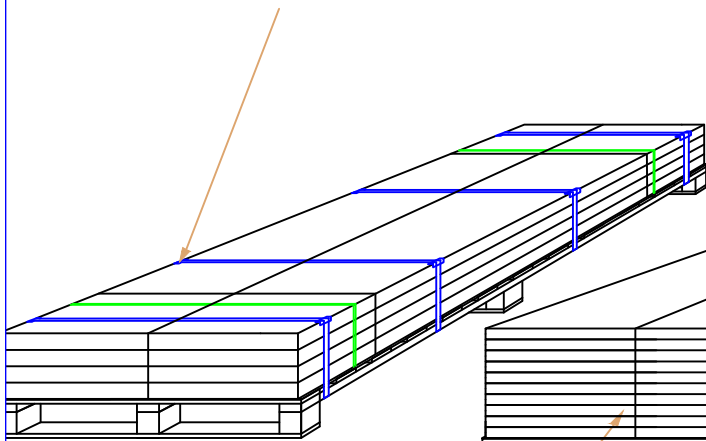
SAP V:

dasso XTR

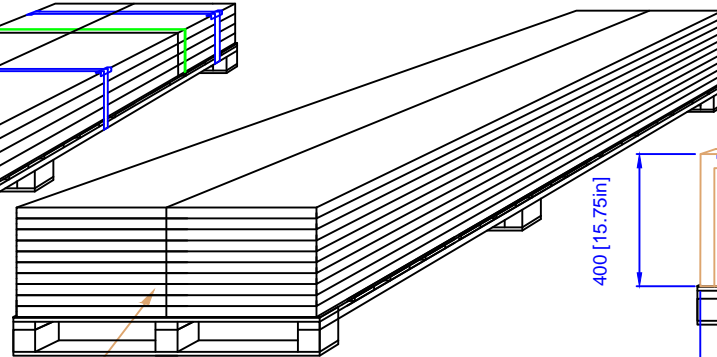


There are 4 band in the middle of the pallet

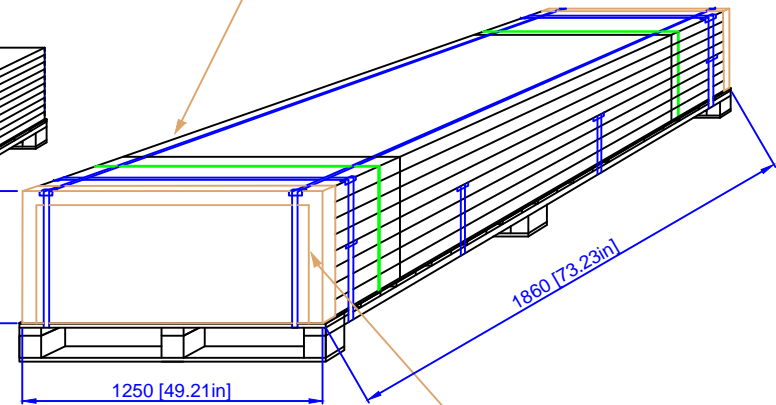
There are 4 belts out of the pallet: before packaging the 4 belts, the wrap film is at least three layers and ensure full of the decking.



Layout: 2 rows x 10 layers



400 [15.75in]



1250 [49.21in]

1860 [73.23in]

Corner guard on each corner

REVISED BY: Lina.L	REVISE ON:
REVISED DATE:	
SAP V:	
dasso XTR	

PAGE NO.:
-----------



PRODUCT: XTR-PAN40H

SCALE:

TITLE: Pallet Layout

DRAWN BY: Lina.L DATE: Jan 01, 2018

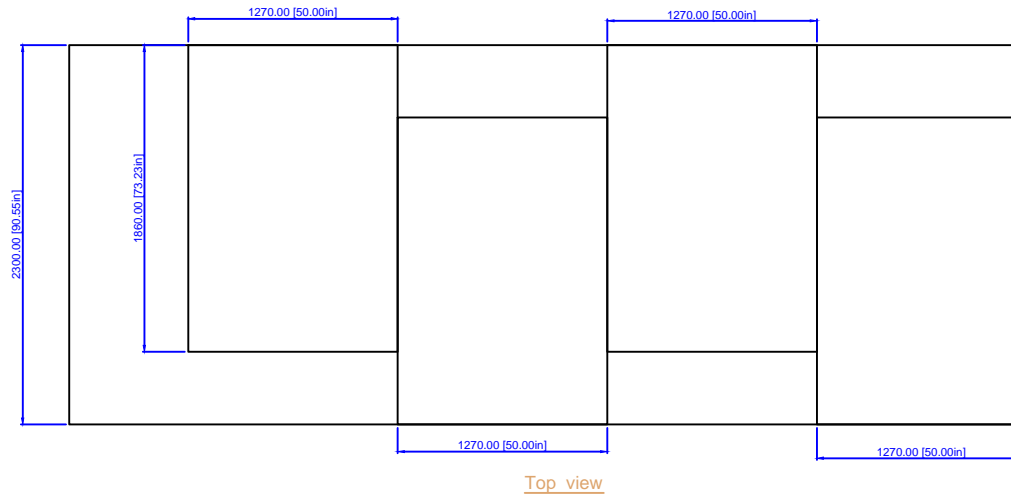
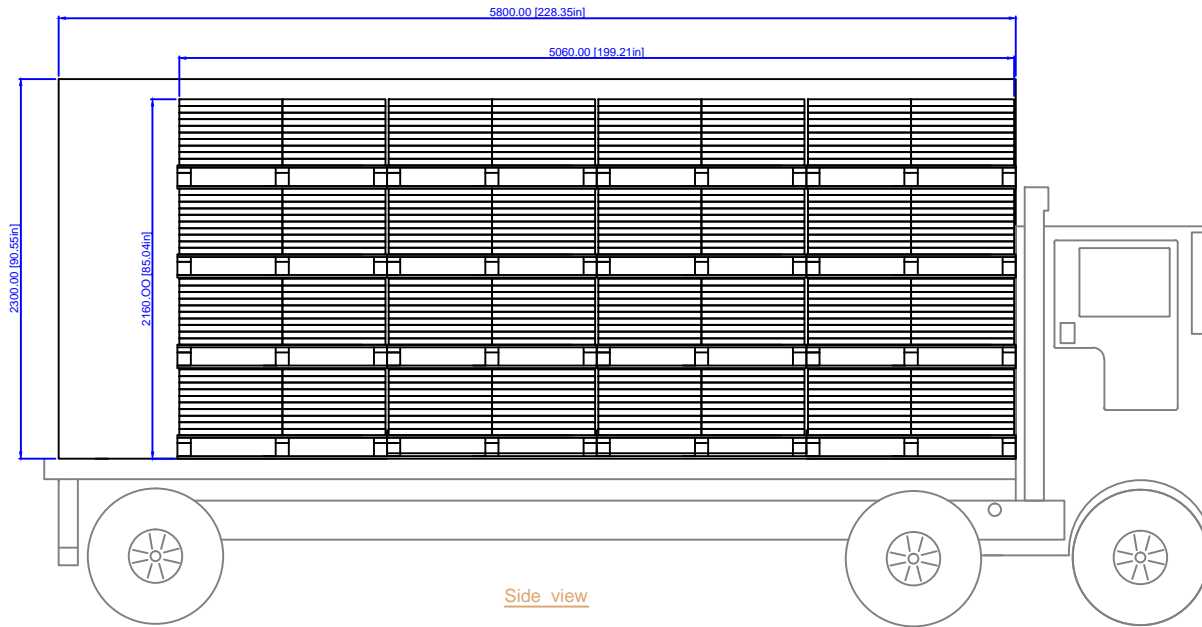
1:1

CONTACT: 1-404-691-6872

FILE: XTR-PAN40H.DWG

PRINTED:

Thickness tolerance: ±1mm
Width tolerance: ±1mm
length tolerance: ±1mm



REVISED BY: Lina.L  
REVISED DATE:  
SAP-V:  
dasso XTR

PAGE NO:

**dassoXTR**  
Fused Bamboo® for Exterior Use  
6060 Boat Hook Blvd SW  
Atlanta, GA 30336  
www.dassoxt.com  
Tel: 1-404-691-6872

PRODUCT: XTR-PAN40H

TITLE: 20' Container Loading—16 Pallet Max

DRAWN BY: Lina.L DATE: Jan 01, 2018

SCALE: 1:1

CONTACT: 1-404-691-6872

FILE: XTR-PAN40H.DWG

PRINTED:

Dimensions: Interior