

REVISED BY: Lina.L
REVISED DATE:

PAGE NO:

dassoXTR
Fused Bamboo® for Exterior Use

6060 Boat Rock Blvd SW
Atlanta, GA 30336
www.dassoxt.com
Tel: 1-404-691-6872

PRODUCT: Wood Pallet Type 1120

TITLE: Wood Pallet Type 1120

DRAWN BY: Lina.L DATE: Jan 01, 2019 SCALE: 1:1 CONTACT: 1-404-691-6872

FILE: EPC-LUM20-137F-PP.DWG

PRINTED:

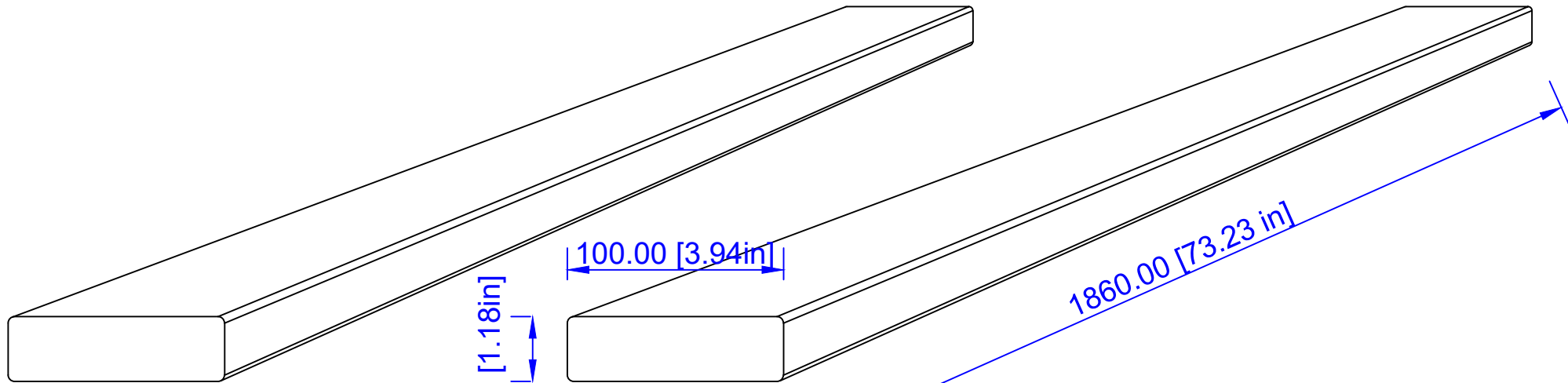
Thickness tolerance: ±1mm

Width tolerance: ±1mm

length tolerance: ±1mm

SAP V:

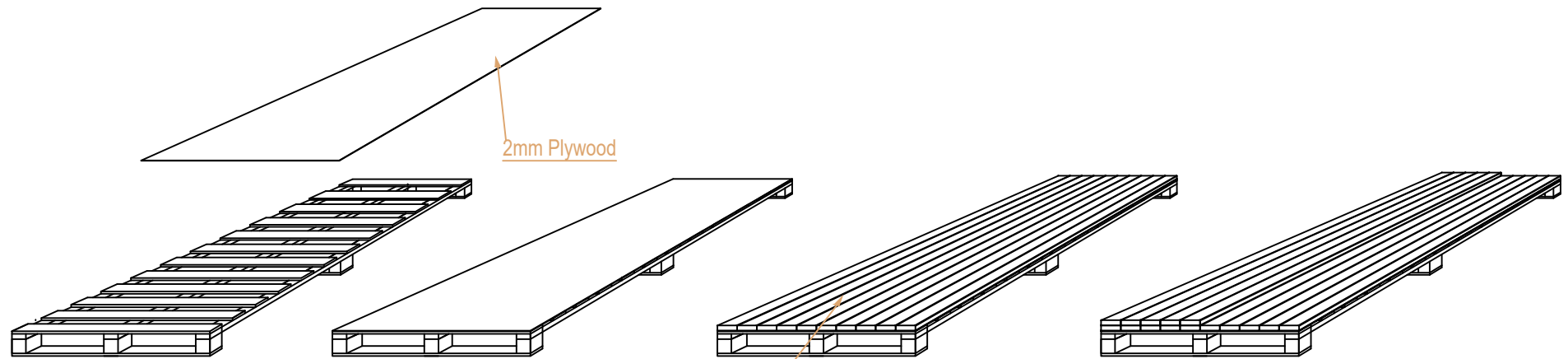
dasso XTR



Front view

Back view

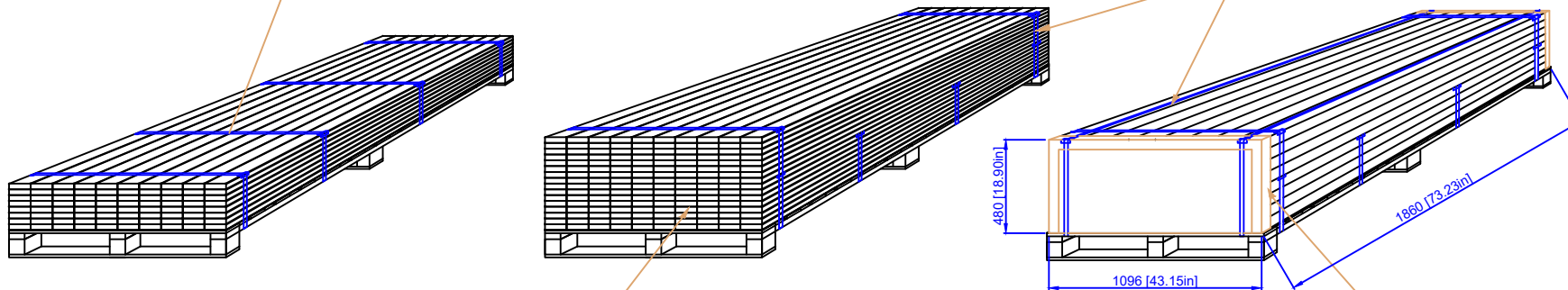
REVISED BY: Lina.L REVISION DATE:	REVISION ON:	PAGE NO:	dassoXTR <i>Fused Bamboo® for Exterior Use</i> <small>6900 Boat Rock Blvd SW Atlanta, GA 30336 www.dassoxt.com Tel: 1-404-691-6872</small>	PRODUCT: EPC-LUM20-137F-PP	Thickness tolerance: ±0.2mm
dasso XTR			TITLE: Bundle Dimension	Width tolerance: ±0.2mm	length tolerance: ±1mm
DRAWN BY: Lina.L		DATE: Jan 01, 2018	SCALE: 1:1	CONTACT: 1-404-691-6872	
FILE: EPC-LUM20-137F-PP.DWG				PRINTED:	



Layout: 10 rows / layer

There are 4 belts out of the pallet: after packaging the 4 belts, the wrap film is at least three layers and ensure full of the Slat.

There are 4 band in the middle of the pallet



Layout: 10 rows x 16 layers

Corner guard on each corner

REVISED BY: Lina.L
REVISED DATE:

PAGE NO.:

dassoXTR
Fused Bamboo® for Exterior Use

6060 Boat Rock Blvd SW
Atlanta, GA 30336
www.dassoxt.com
Tel: 1-404-691-6872

PRODUCT: EPC-LUM20-137F-PP

TITLE: Pallet Layout

DRAWN BY: Lina.L DATE: Jan 01, 2019

SCALE: 1:1

CONTACT: 1-404-691-6872

FILE: EPC-LUM20-137F-PP.DWG

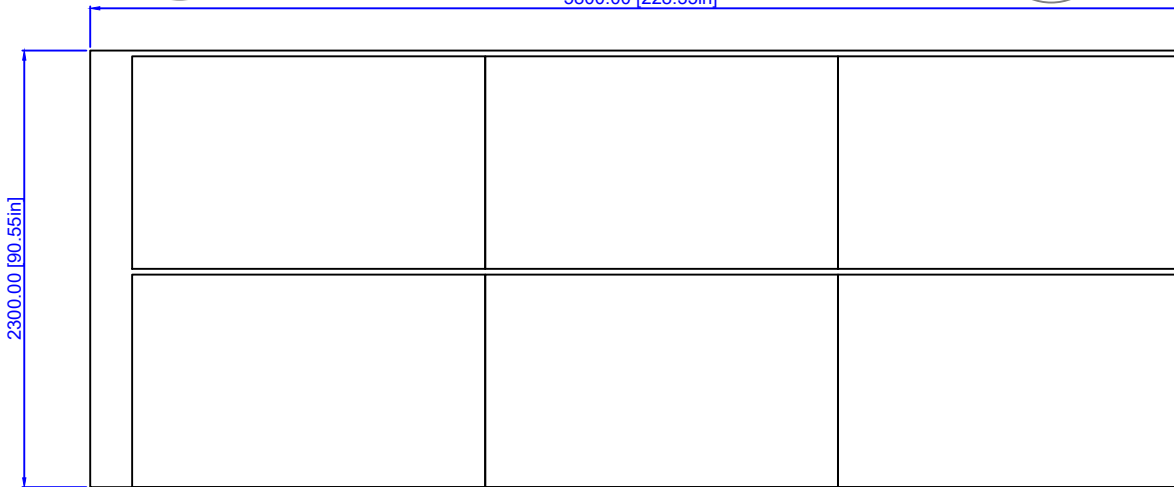
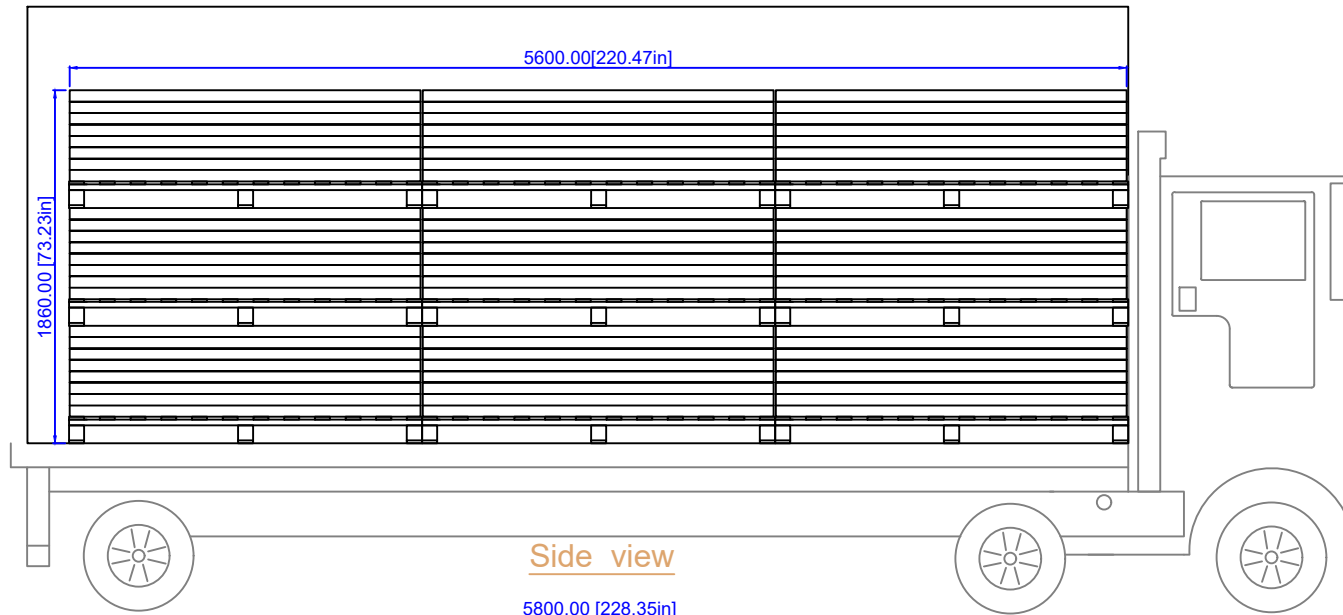
PRINTED:

Thickness tolerance: ±1mm


Width tolerance: ±1mm

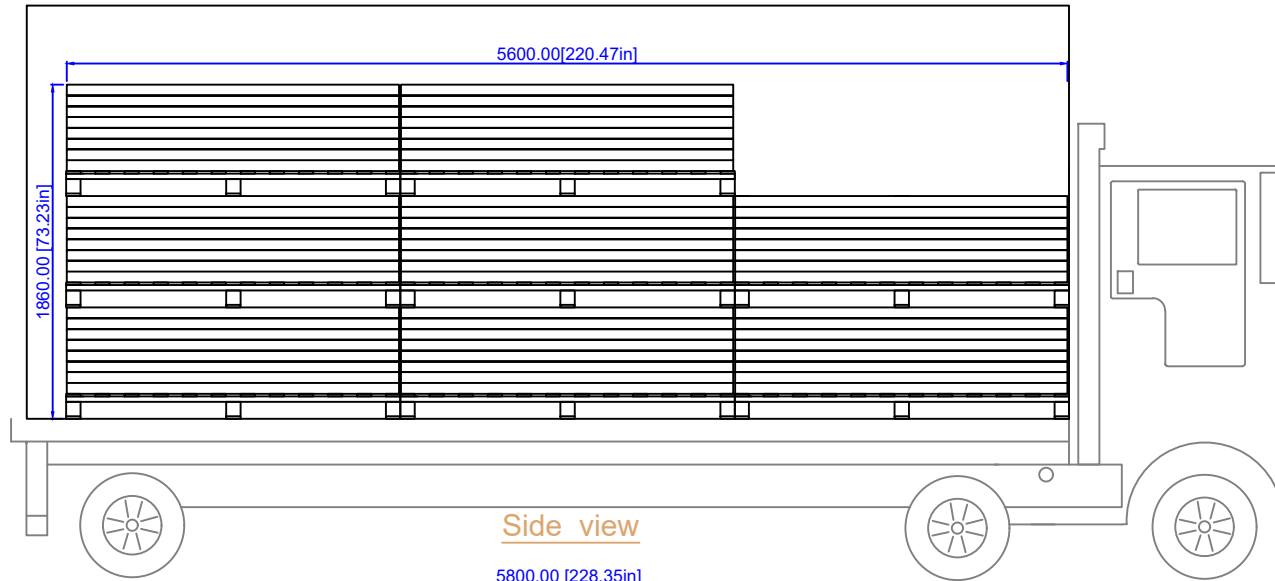
Length tolerance: ±1mm

SAP V:
dasso XTR

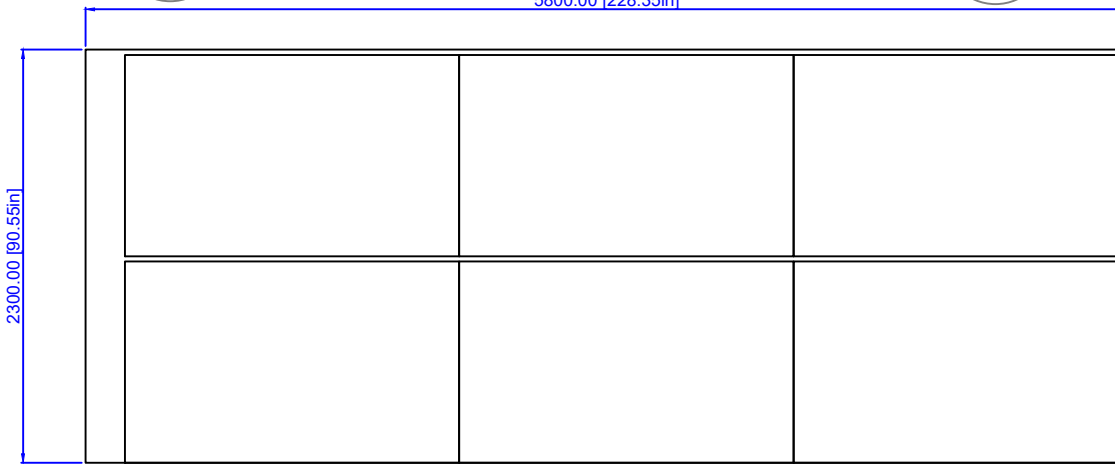


Top view


REVISED BY: Lina.L	REVISION: REVISED DATE:	PAGE NO.:	PRODUCT: EPC-LUM20-137F-PP: 20mm x 137mm	Dimensions: Interior
SAP V:	dasso XTR		TITLE: 20' Container Loading—18 Pallet Max	
		6060 Boat Rock Blvd SW Atlanta, GA 30336 www.dassoxttr.com Tel: 1-404-691-6872	DRAWN BY: Lina.L DATE: Jan 01, 2019 SCALE: 1:1 CONTACT: 1-404-691-6872	
			FILE: EPC-LUM20-137F-PP.DWG	PRINTED:



Side view



Top view

REVISED BY: Lina.L	REVISE ON:	PAGE NO.:	PRODUCT: EPC-LUM20-137F-PP: 20mm x 137mm			Dimensions: Interior
REVISED DATE:			TITLE: 20' Container Loading—17 Pallet			
SAP V:			DRAWN BY: Lina.L	DATE: Jan 01, 2019	SCALE: 1:1	CONTACT: 1-404-691-6872
dasso XTR	 Fused Bamboo® for Exterior Use 6060 Boat Rock Blvd SW Atlanta, GA 30336 www.dassoxt.com Tel: 1-404-691-6872		FILE: EPC-LUM20-137F-PP.DWG		PRINTED:	