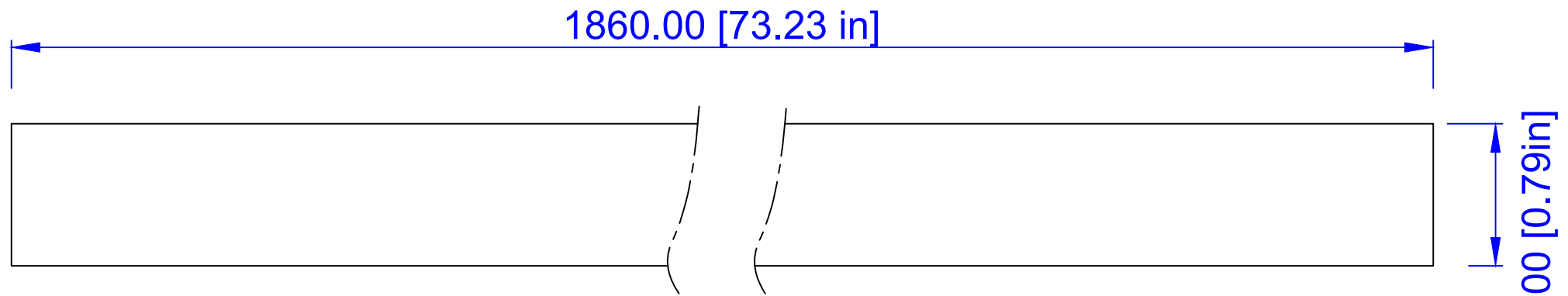

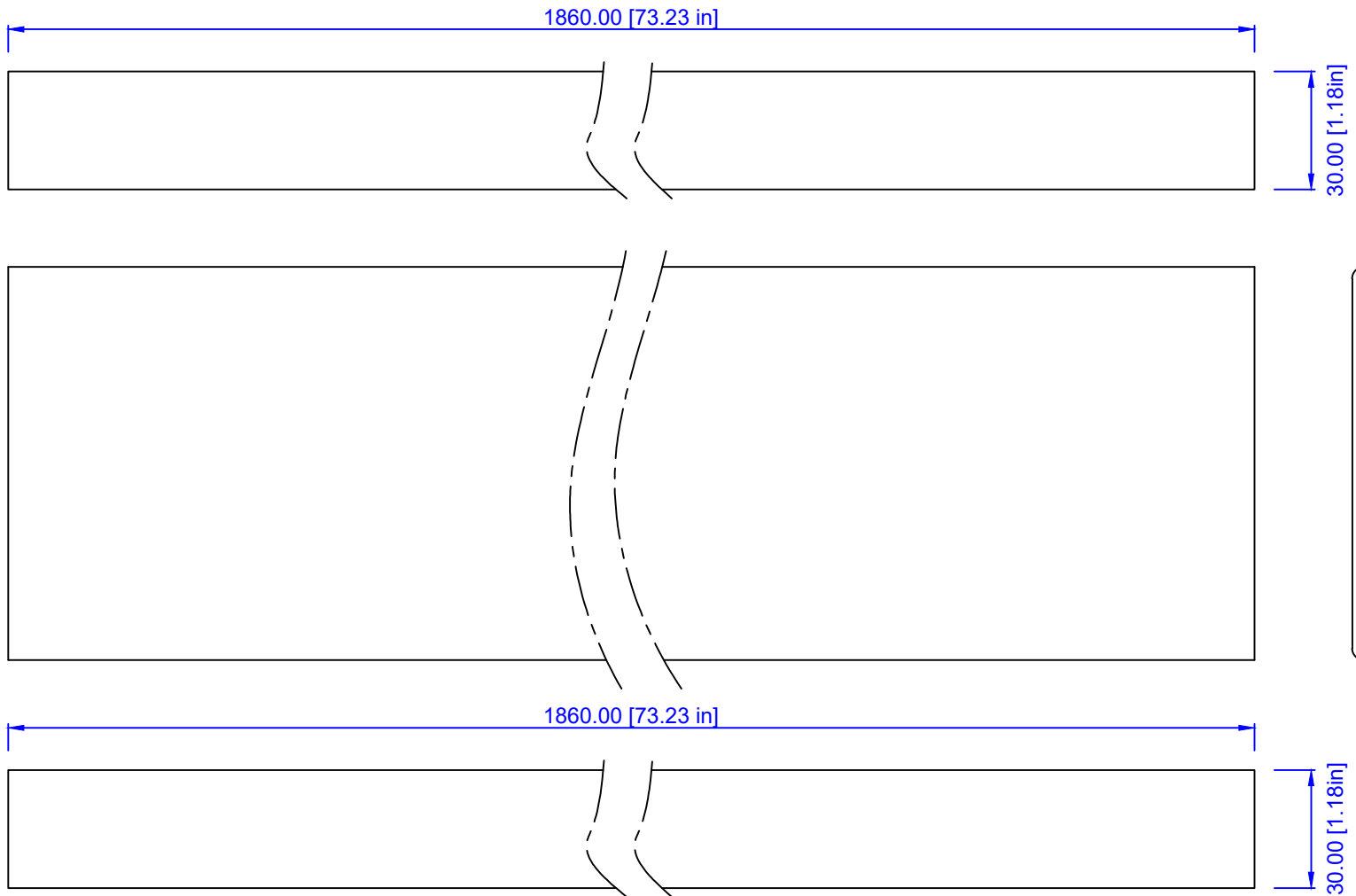


Short side outline: 20mm X 137mm



Long side outline: 20mm X 1860mm

REVISED BY: Lina.L	REVISE ON:	PAGE NO.:	PRODUCT: EPC-LUM20-137F-PP: 20mm x 137mm			Thickness tolerance: ±0.2mm
REVISED DATE:			TITLE: Profile			Width tolerance: ±0.2mm
SAP V.:			DRAWN BY: Lina.L	DATE: Jan 01, 2019	SCALE: 1:1	CONTACT: 1-404-691-6872
dasso XTR			FILE: EPC-LUM20-137F-PP.DWG			length tolerance: ±1mm
 Fused Bamboo® for Exterior Use 6100 Boat Rock Blvd SW Atlanta, GA 30336 www.dassoxtr.com Tel: 1-404-691-6872			PRINTED:			



REVISED BY: Lina.L
REVISED DATE:

REVISE ON:

PAGE NO.:

SAP V.:

dasso XTR

dassoXTR
Fused Bamboo® for Exterior Use

6260 Boat Rock Blvd SW
Atlanta, GA 30336
www.dassoxt.com
Tel: 1-404-691-6872

PRODUCT: EPC-LUM20-137F-PP: 20mm x 137mm

TITLE: Overview

DRAWN BY: Lina.L DATE: Jan 01, 2019

SCALE: 1:1

CONTACT: 1-404-691-6872

FILE: EPC-LUM20-137F-PP.DWG

PRINTED:

Thickness tolerance: ±0.2mm

Width tolerance: ±0.2mm

length tolerance: ±1mm