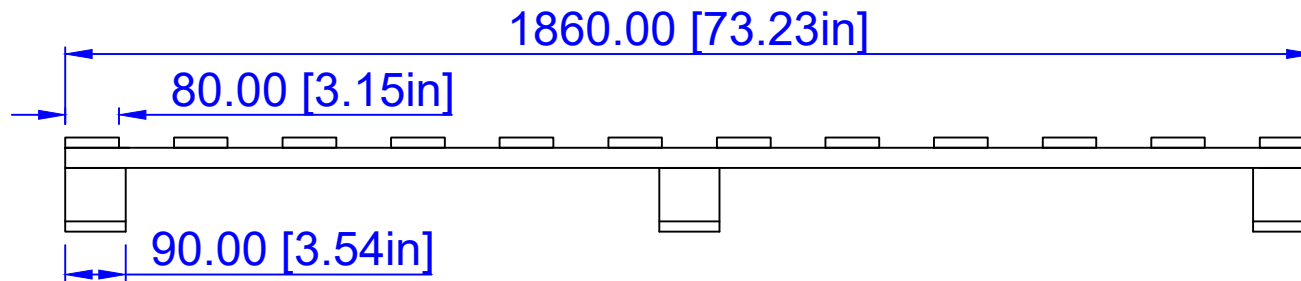


End view



Side view

REVISED BY: Lina.L
REVISOR DATE:

PAGE NO:



6060 Boat Rock Blvd SW
Atlanta, GA 30336
www.dassoxt.com
Tel: 1-404-691-6872

PRODUCT: Wood Pallet Type 1120

TITLE: Wood Pallet Type 1120

DRAWN BY: Lina.L DATE: Jan 01, 2019

SCALE: 1:1

CONTACT: 1-404-691-6872

FILE: XTR-LUM08-100F-PP.DWG

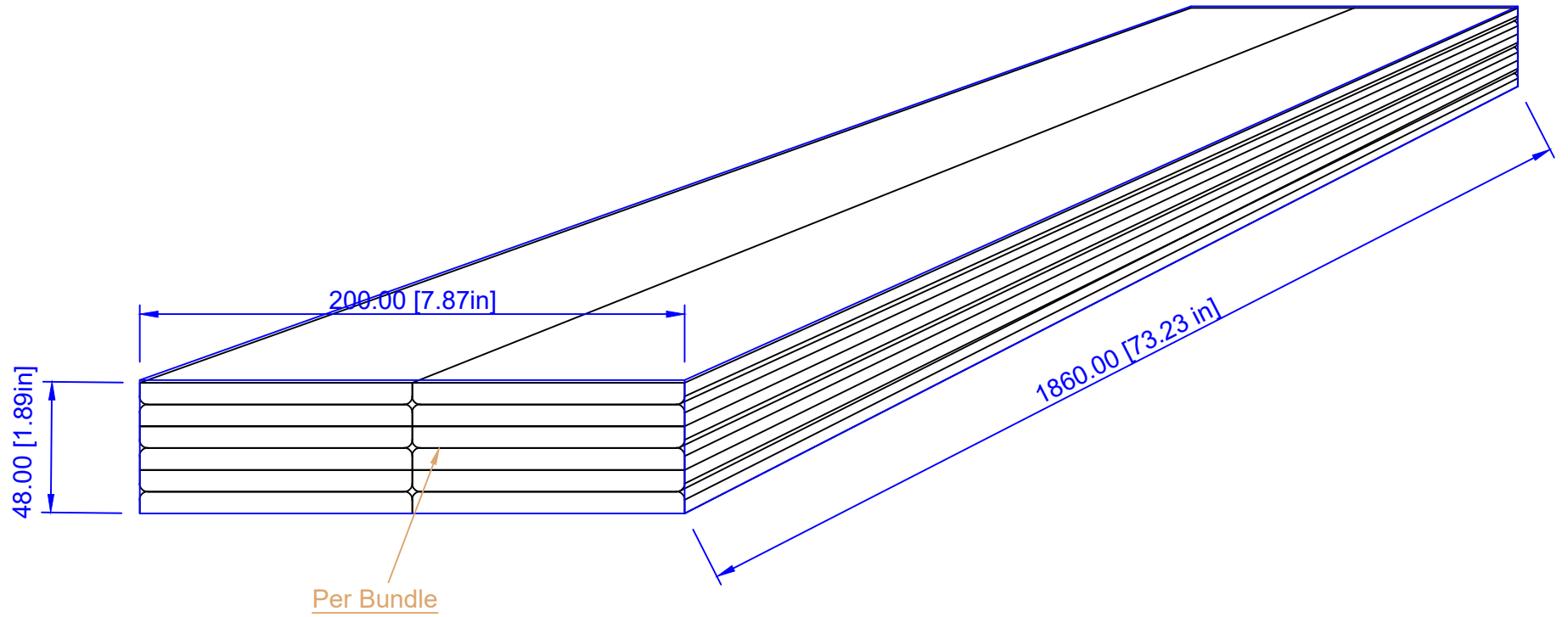
PRINTED:

Thickness tolerance: ±1mm

Width tolerance: ±1mm

length tolerance: ±1mm

SAP V:
dasso XTR



REVISED BY: Lina.L
 REVISION DATE:

PAGE NO:



6900 Boat Rock Blvd SW
 Atlanta, GA 30336
 www.dassoxt.com
 Tel: 1-404-691-6872

PRODUCT: XTR-LUM08-100F-PP: 8mm x 100mm

TITLE: Bundle Dimension

DRAWN BY: Lina.L DATE: Jan 01, 2019

SCALE: 1:1

CONTACT: 1-404-691-6872

FILE: XTR-LUM08-100F-PP.DWG

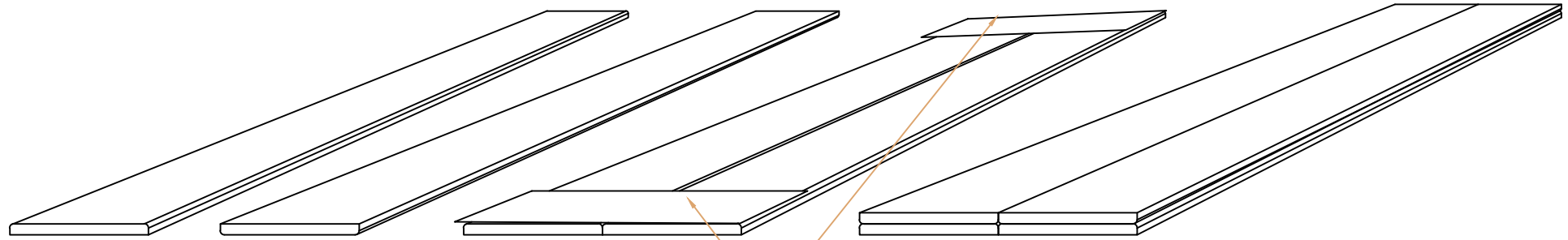
PRINTED:

Thickness tolerance: ±0.2mm

Width tolerance: ±0.2mm

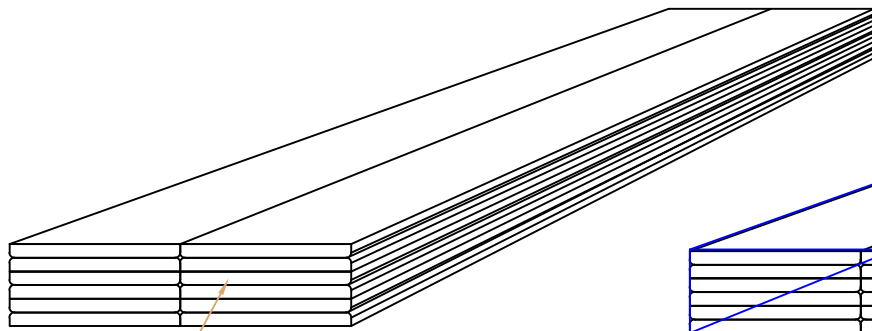
length tolerance: ±1mm

SAP V:
 dasso XTR

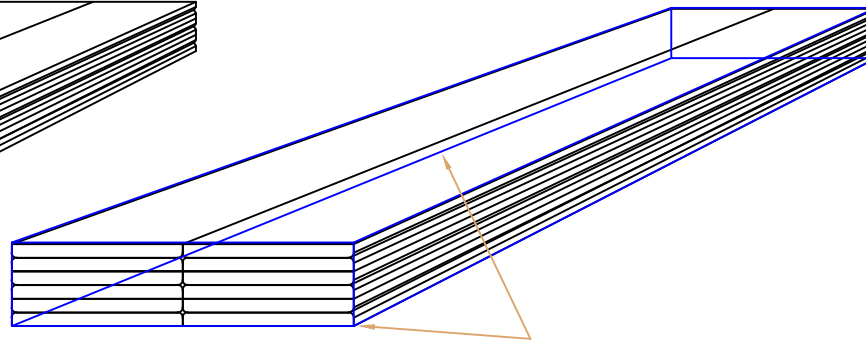


Front view Back view

Place Foamed Film on both ends of two planks



Layout: 2 rows x 6 layers



Packing: Plastic film wrapping

REVISED BY: Lina.L
REVISOR DATE:

REVISE ON:

PAGE NO.:

SAP V:

dasso XTR

dassoXTR
Fused Bamboo® for Exterior Use

6090 Boat Rock Blvd SW
Atlanta, GA 30336
www.dassoxt.com
Tel: 1-404-691-6872

PRODUCT: XTR-LUM08-100F-PP: 8mm x 100mm

TITLE: Bundle Package Layout

DRAWN BY: Lina.L DATE: Jan 01, 2019 SCALE: 1:1

FILE: XTR-LUM08-100F-PP.DWG

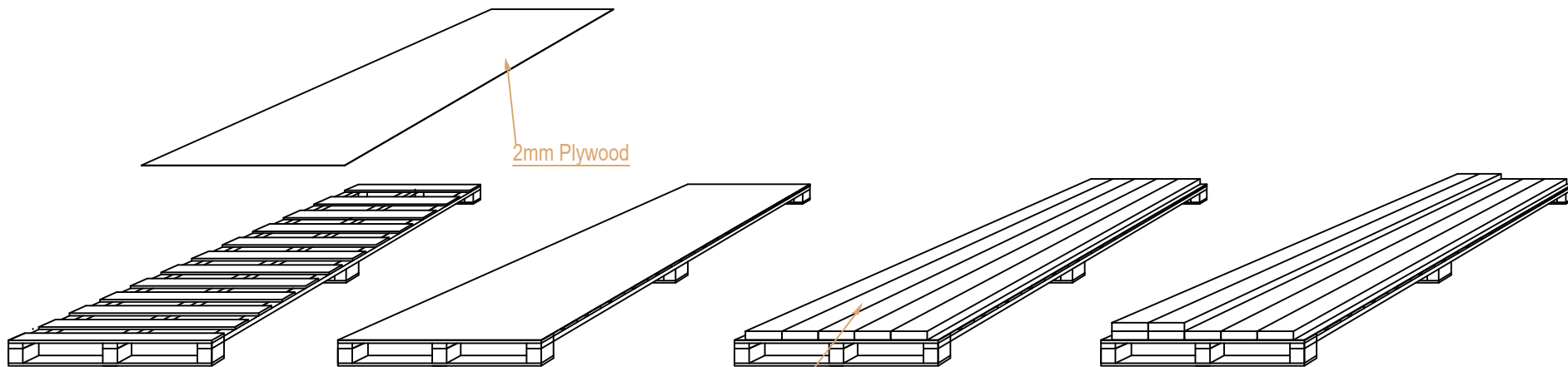
CONTACT: 1-404-691-6872

PRINTED:

Thickness tolerance: ±0.2mm

Width tolerance: ±0.2mm

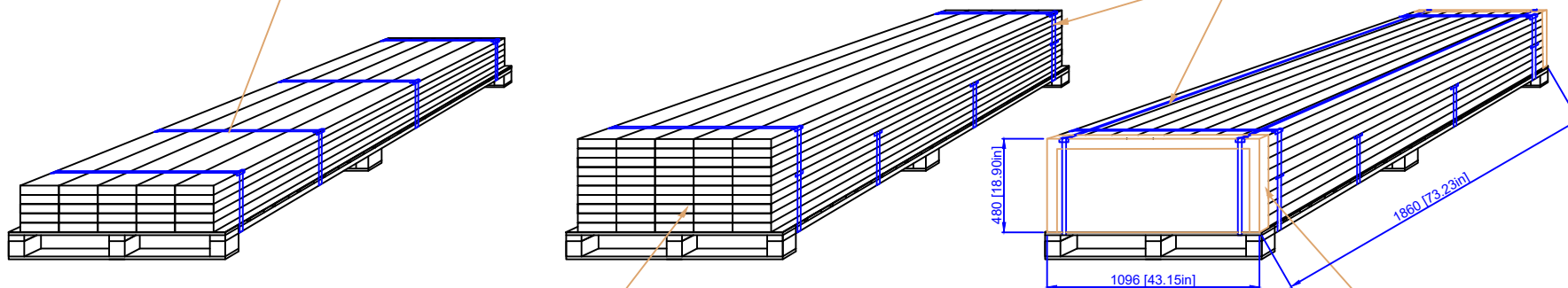
length tolerance: ±1mm



Layout: 5 rows / layer

There are 4 belts out of the pallet: after packaging the 4 belts, the wrap film is at least three layers and ensure full of the Slat.

There are 4 band in the middle of the pallet



Layout: 5 rows x 10 layers

REVISED BY: Lina.L
REVISED DATE:

PAGE NO:

dassoXTR
Fused Bamboo® for Exterior Use

6060 Boat Rock Blvd SW
Atlanta, GA 30336
www.dassoxttr.com
Tel: 1-404-691-6872

PRODUCT: XTR-LUM08-100F-PP: 8mm x 100mm

TITLE: Pallet Layout

DRAWN BY: Lina.L DATE: Jan 01, 2019 SCALE: 1:1

FILE: XTR-LUM08-100F-PP.DWG

CONTACT: 1-404-691-6872

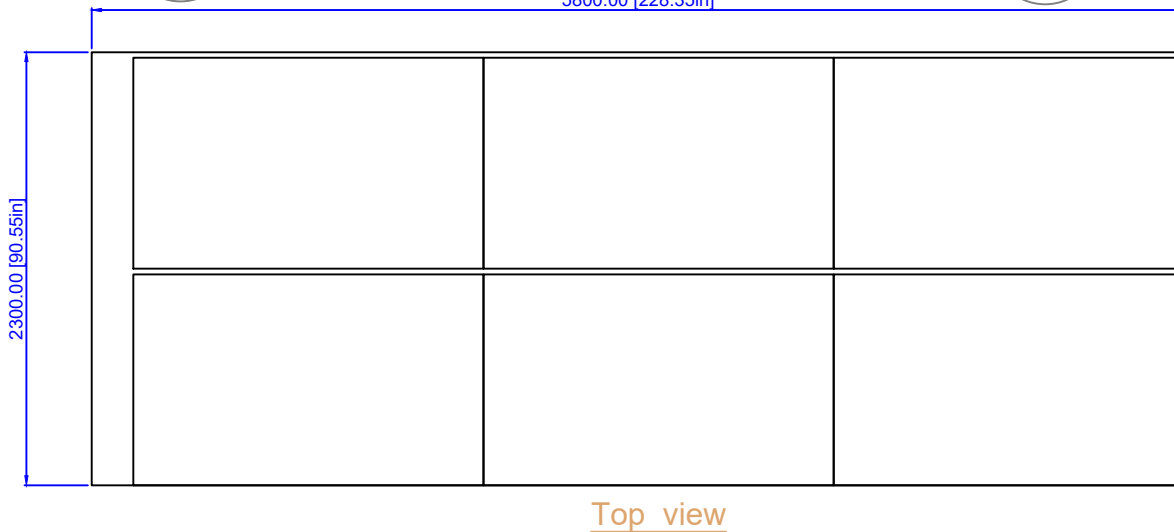
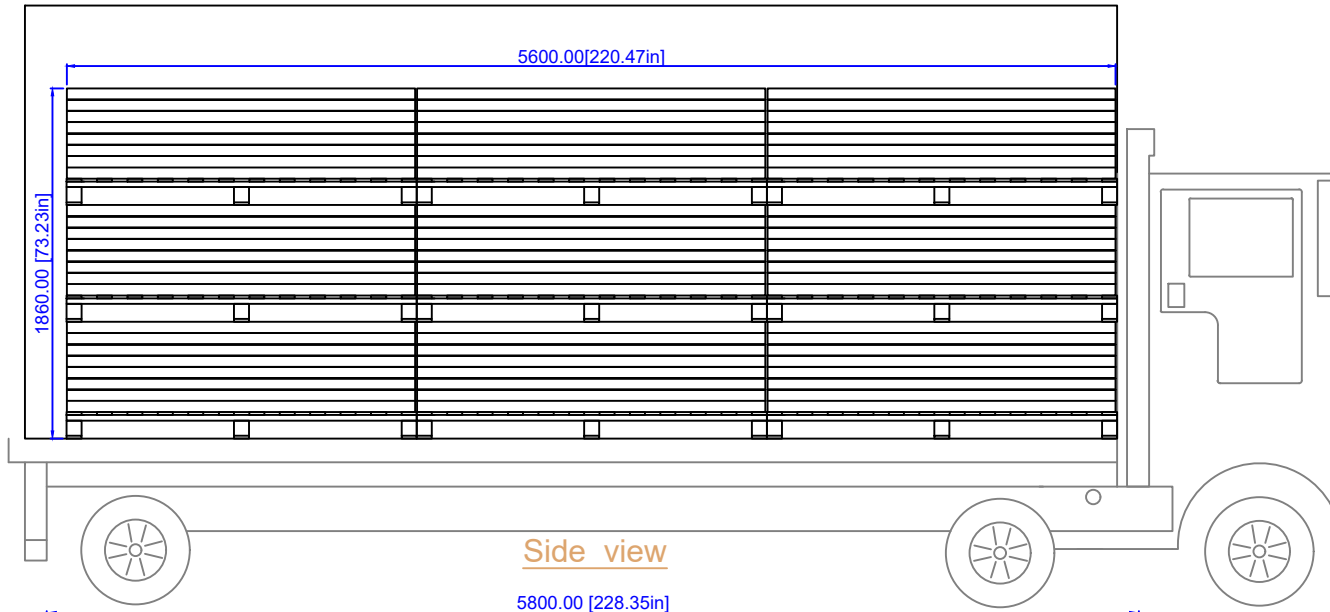
PRINTED:

Thickness tolerance: ±1mm

Width tolerance: ±1mm

length tolerance: ±1mm

SAP V:
dasso XTR



REVISED BY: Lina.L
 REVISION DATE:

PAGE NO:



6060 Boat Rock Blvd SW
 Atlanta, GA 30336
 www.dassoxttr.com
 Tel: 1-404-691-6872

PRODUCT: XTR-LUM08-100F-PP

TITLE: 20' Container Loading—18 Pallet Max

DRAWN BY: Lina.L DATE: Jan 01, 2019 SCALE: 1:1

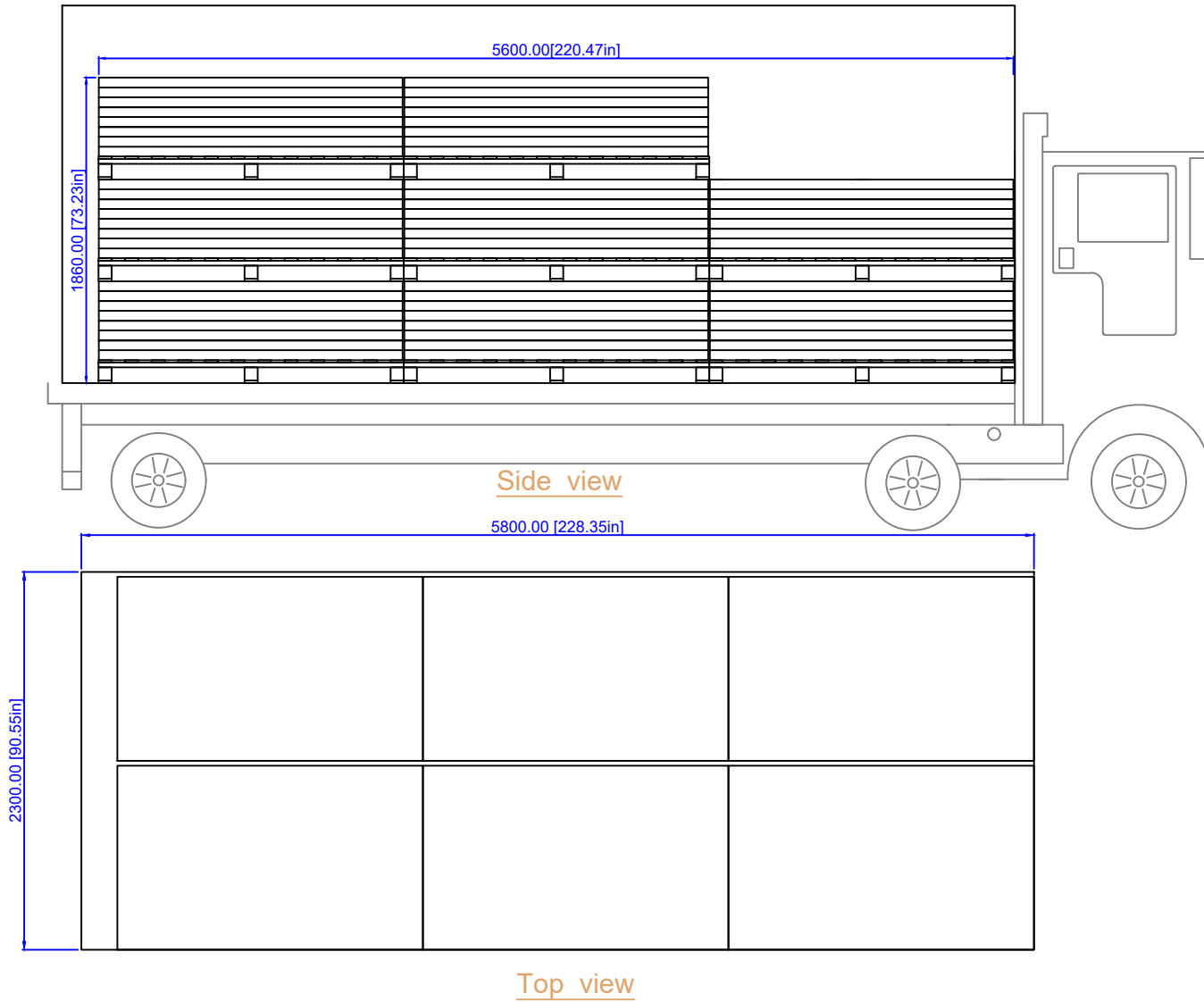
FILE: XTR-LUM08-100F-PP.DWG

CONTACT: 1-404-691-6872

PRINTED:

Dimensions: Interior

SAP V:
 dasso XTR



REVISED BY: Lina.L	REVISE ON:	PAGE NO.:
REVISED DATE:		
SAP V:	dasso XTR	



PRODUCT: XTR-LUM08-100F-PP: 8mm x 100mm			
TITLE: 20' Container Loading—17 Pallet			
DRAWN BY: Lina.L	DATE: Jan 01, 2019	SCALE: 1:1	CONTACT: 1-404-691-6872
FILE: XTR-LUM08-100F-PP.DWG			PRINTED:

Dimensions: Interior