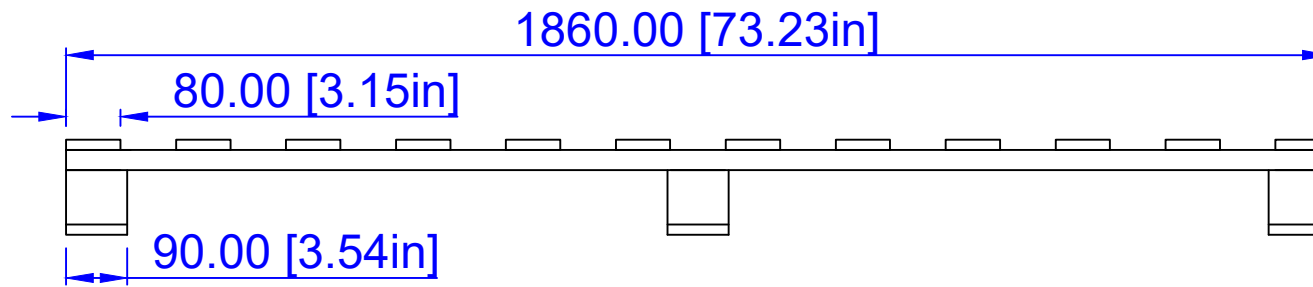


End view



Side view

REVISED BY: Lina.L
REVISED DATE:

PAGE NO:



6060 Boat Rock Blvd SW
Atlanta, GA 30336
www.dassoxt.com
Tel: 1-404-691-6872

PRODUCT: Wood Pallet Type 1120

TITLE: Wood Pallet Type 1120

DRAWN BY: Lina.L DATE: Jan 01, 2019

SCALE: 1:1

CONTACT: 1-404-691-6872

FILE: XTR-LUM20-137F-PP.DWG

PRINTED:

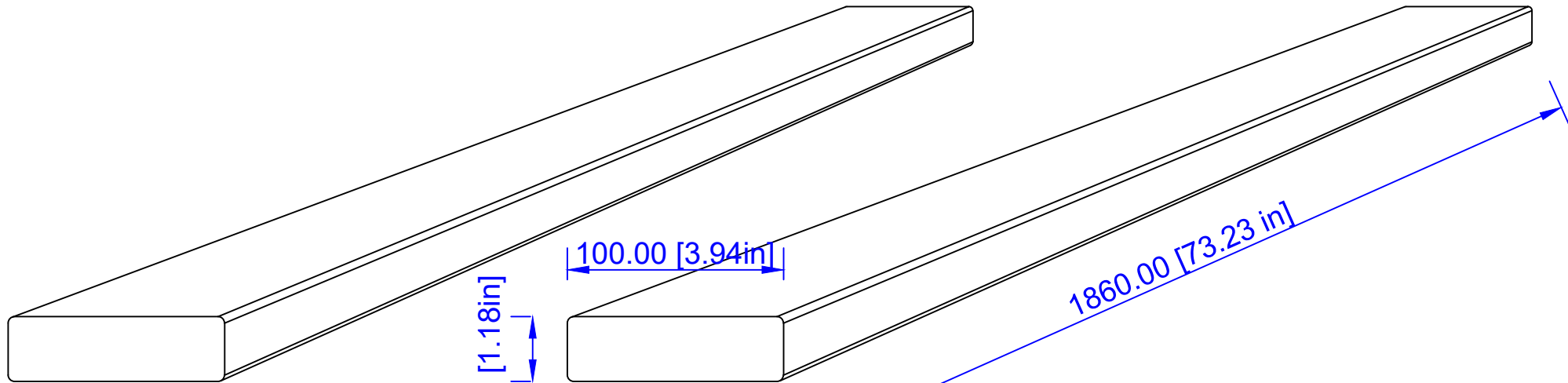
Thickness tolerance: ±1mm

Width tolerance: ±1mm

length tolerance: ±1mm


SAP V:

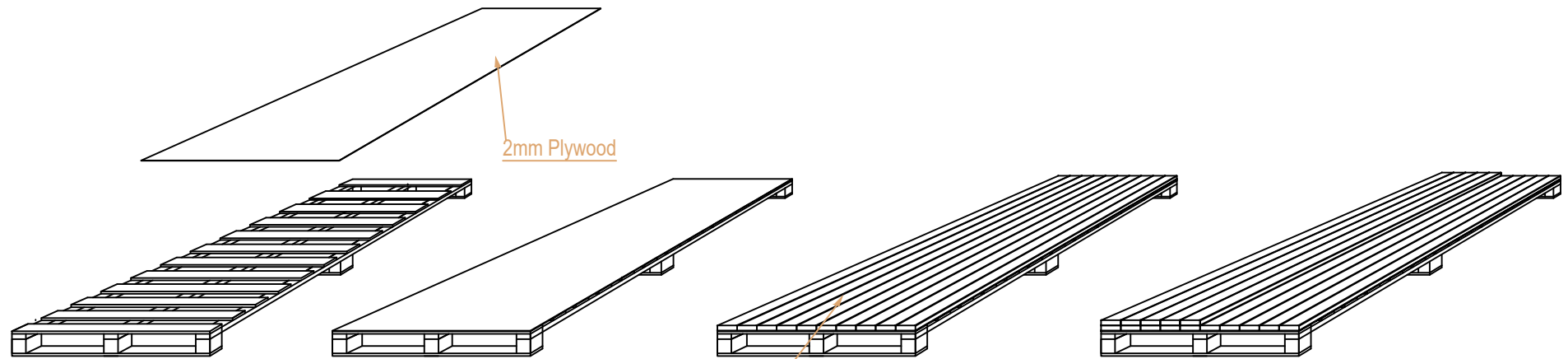
dasso XTR



Front view

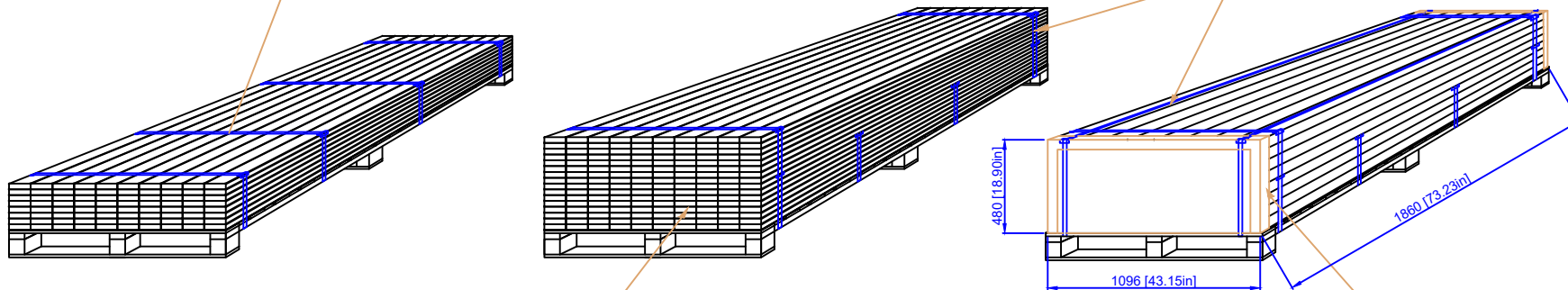
Back view

REVISED BY: Lina.L REVISION DATE:	REVISION ON:	PAGE NO:	PRODUCT: XTR-LUM20-137F-PP	Thickness tolerance: ±0.2mm
SAP V: dasso XTR		6060 Boat Rock Blvd SW Atlanta, GA 30336 www.dassoxt.com Tel: 1-404-691-6872	TITLE: Bundle Dimension	Width tolerance: ±0.2mm length tolerance: ±1mm
			DRAWN BY: Lina.L DATE: Jan 01, 2018 SCALE: 1:1	CONTACT: 1-404-691-6872
			FILE: XTR-LUM20-137F-PP.DWG	PRINTED:



There are 4 band in the middle of the pallet

There are 4 belts out of the pallet: after packaging the 4 belts, the wrap film is at least three layers and ensure full of the Slat.



Layout: 10 rows x 16 layers

Corner guard on each corner

REVISED BY: Lina.L
REVISED DATE:

PAGE NO:



6060 Boat Rock Blvd SW
Atlanta, GA 30336
www.dassoxt.com
Tel: 1-404-691-6872

PRODUCT: XTR-LUM20-137F-PP

TITLE: Pallet Layout

DRAWN BY: Lina.L DATE: Jan 01, 2019

SCALE: 1:1

CONTACT: 1-404-691-6872

FILE: XTR-LUM20-137F-PP.DWG

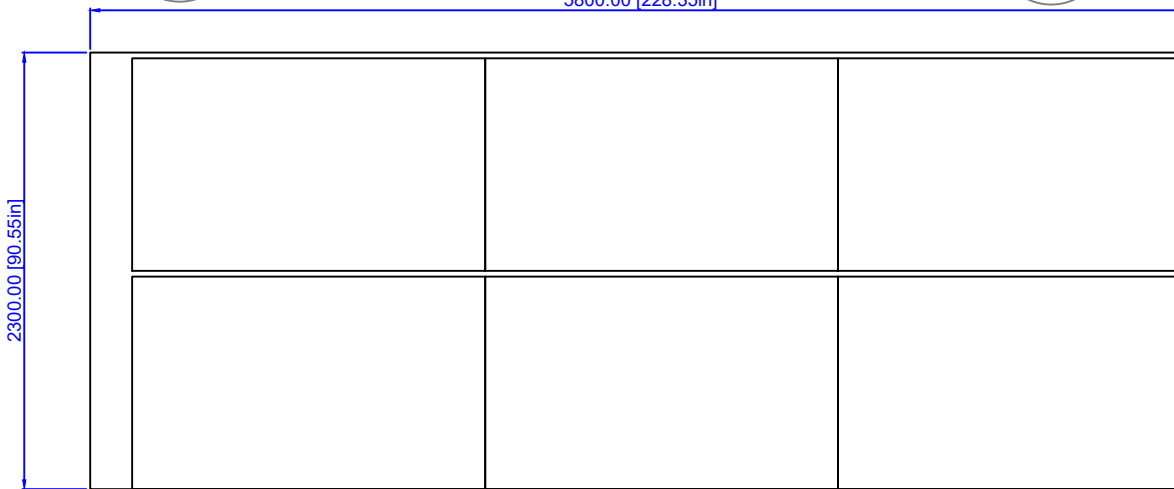
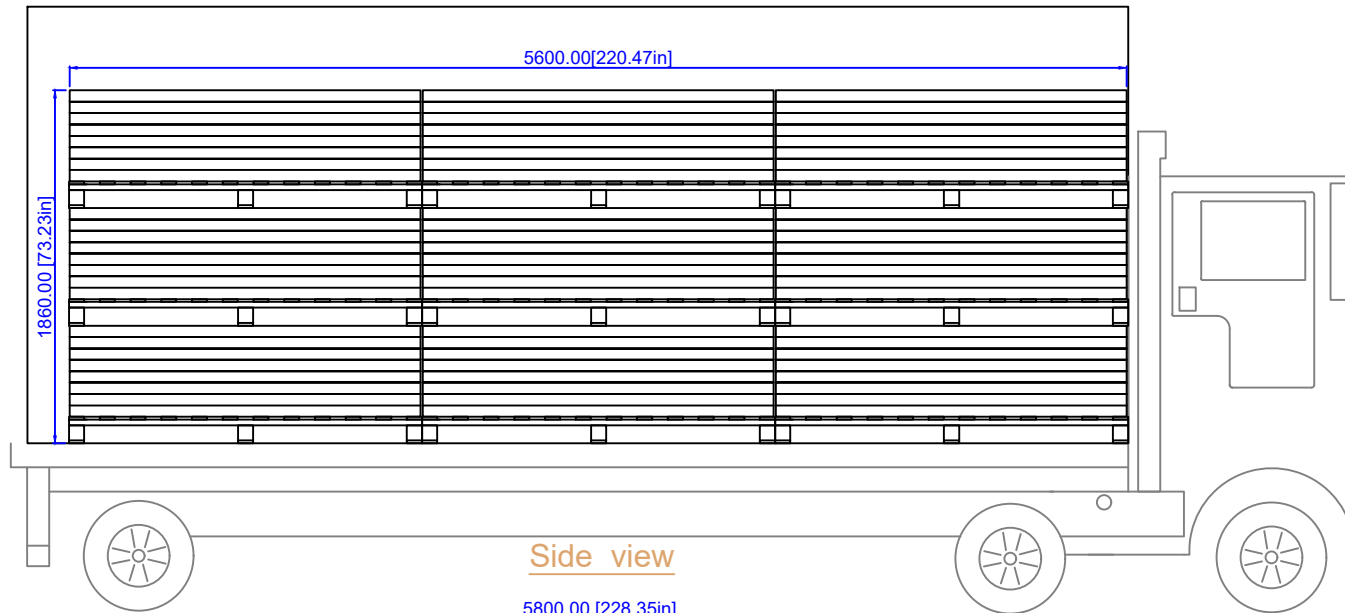
PRINTED:

Thickness tolerance: ±1mm

Width tolerance: ±1mm

length tolerance: ±1mm

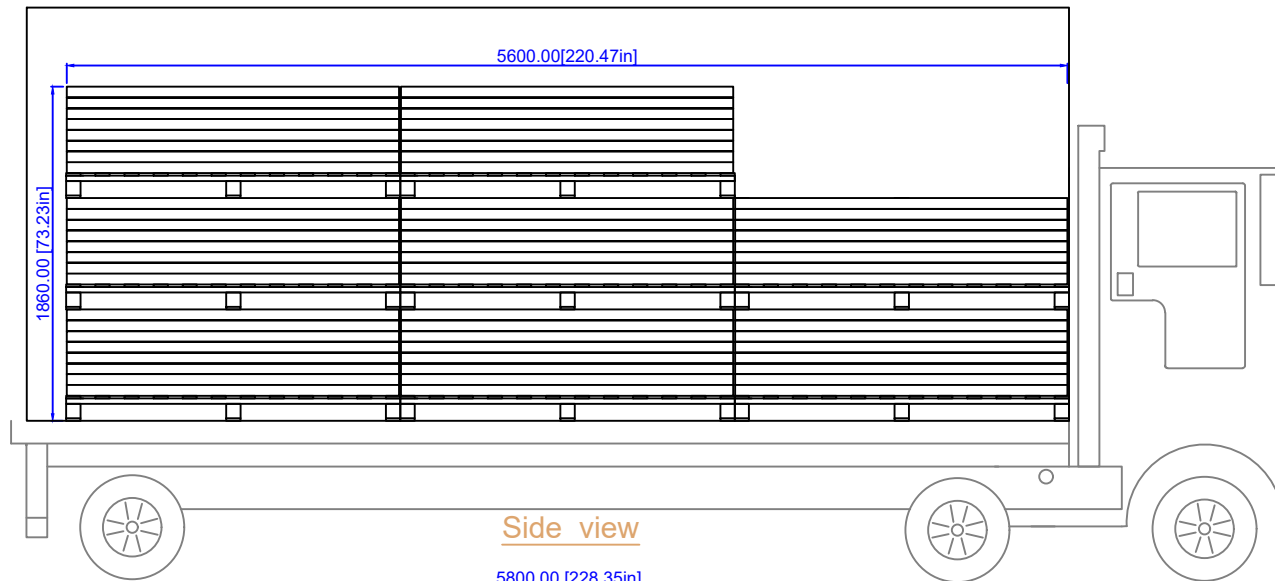
SAP V:
dasso XTR



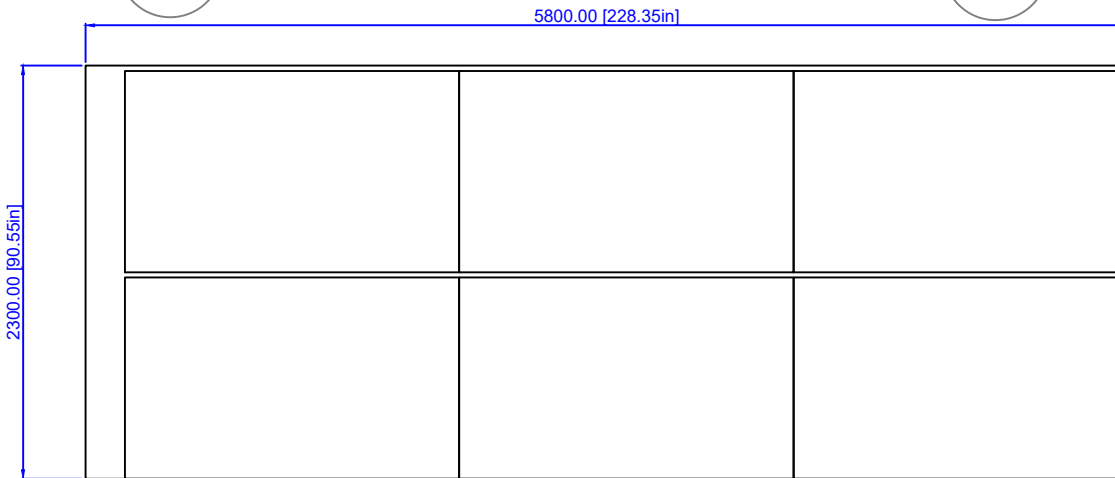
Top view

REVISED BY: Lina.L	REVISE ON:	PAGE NO.:	PRODUCT: XTR-LUM20-137F-PP		Dimensions: Interior
REVISED DATE:			TITLE: 20' Container Loading—18 Pallet Max		
SAP V:			DRAWN BY: Lina.L	DATE: Jan 01, 2019	SCALE: 1:1
dasso XTR			CONTACT: 1-404-691-6872		
			FILE: XTR-LUM20-137F-PP.DWG		PRINTED:






Side view



Top view

REVISED BY: Lina.L	REVISE ON:	PAGE NO.:	PRODUCT: XTR-LUM20-137F-PP			Dimensions: Interior
REVISED DATE:			TITLE: 20' Container Loading—17 Pallet			
SAP V:			DRAWN BY: Lina.L	DATE: Jan 01, 2019	SCALE: 1:1	CONTACT: 1-404-691-6872
dasso XTR	 Fused Bamboo® for Exterior Use 6060 Boat Rock Blvd SW Atlanta, GA 30336 www.dassoxtf.com Tel: 1-404-691-6872		FILE: XTR-LUM20-137F-PP.DWG			PRINTED: