

REVISED BY: Lina.L
REVISOR: Lina.L
REVISOR DATE:

PAGE NO:

dassoXTR
Fused Bamboo® for Exterior Use

6060 Boat Rock Blvd SW
Atlanta, GA 30336
www.dassoxt.com
Tel: 1-404-691-6872

PRODUCT: Wood Pallet Type 1120

TITLE: Wood Pallet Type 1120

DRAWN BY: Lina.L DATE: Jan 01, 2019

SCALE: 1:1

CONTACT: 1-404-691-6872

FILE: XTR-LUM30-65F-PP.DWG

PRINTED:

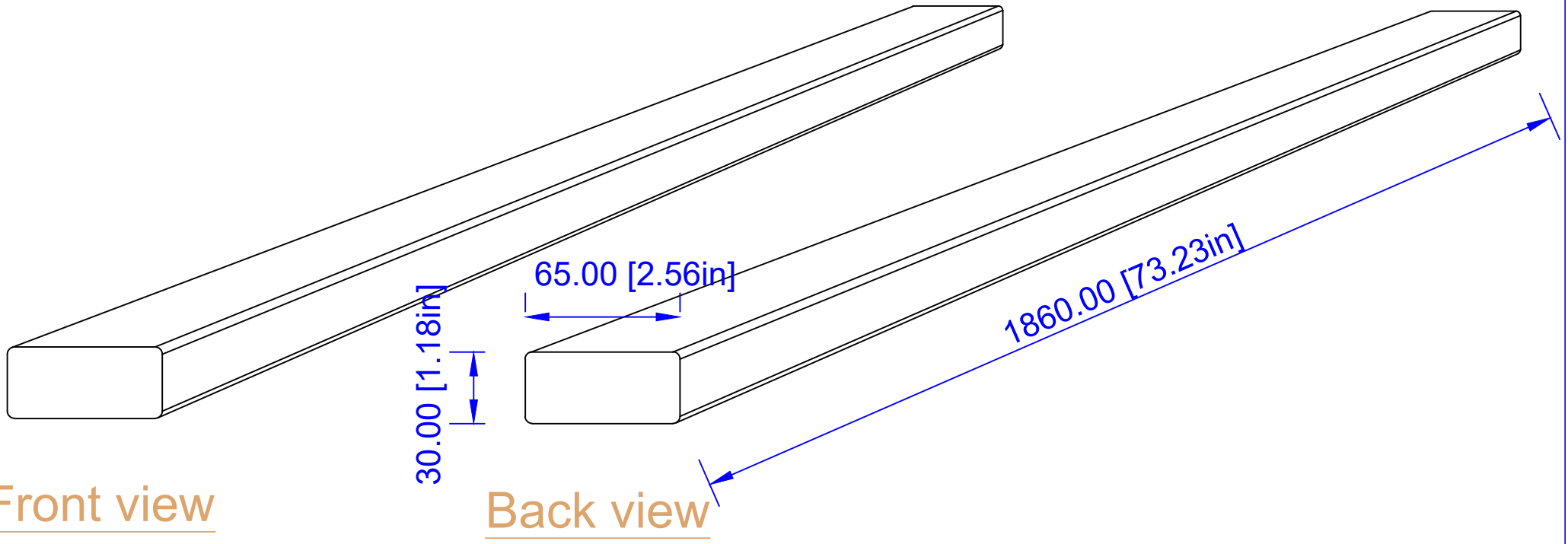
Thickness tolerance: ±1mm

Width tolerance: ±1mm

length tolerance: ±1mm

SAP V:

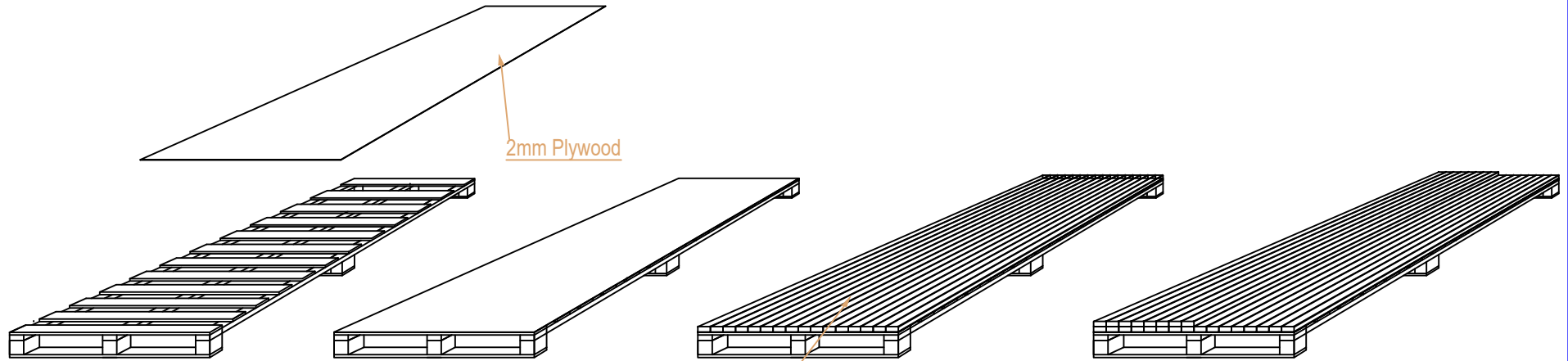
dasso XTR



Front view

Back view

REVISED BY: Lina.L REVISION DATE:	REVISION ON:	PAGE NO:	dassoXTR <i>Fused Bamboo® for Exterior Use</i> <small>6060 Boat Rock Blvd SW Atlanta, GA 30336 www.dassoxt.com Tel: 1-404-691-6872</small>	PRODUCT: XTR-LUM30-65F-PP: 30mm x 65mm TITLE: Bundle Dimension DRAWN BY: Lina.L DATE: Jan 01, 2019 SCALE: 1:1 CONTACT: 1-404-691-6872 FILE: XTR-LUM30-65F-PP.DWG	Thickness tolerance: ±0.2mm Width tolerance: ±0.2mm Length tolerance: ±1mm
dasso XTR					

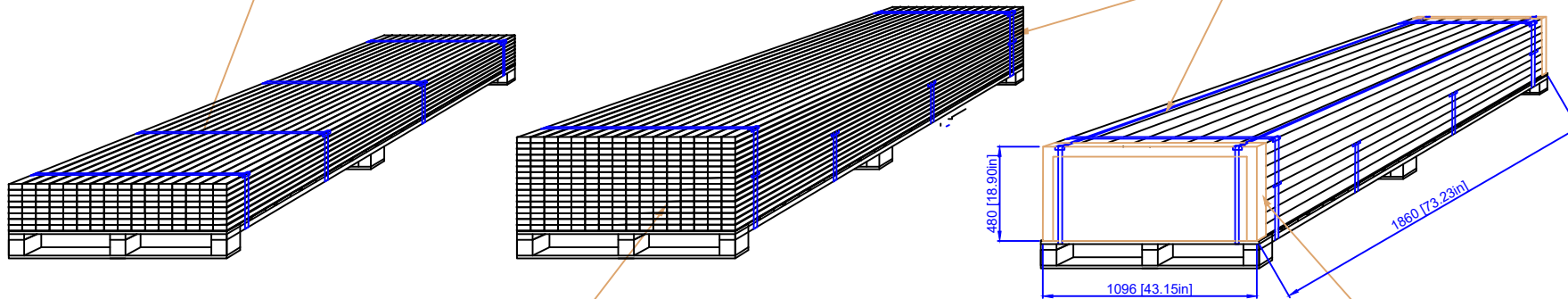


2mm Plywood

Layout: 16 rows / layer

There are 4 band in the middle of the pallet

There are 4 belts out of the pallet: after packaging the 4 belts, the wrap film is at least three layers and ensure full of the Slat.



Layout: 16 rows x 16 layers

Corner guard on each corner

REVISED BY: Lina.L
REVISED DATE:

PAGE NO:

dassoXTR
Fused Bamboo® for Exterior Use

6060 Boat Rock Blvd SW
Atlanta, GA 30336
www.dassoxttr.com
Tel: 1-404-691-6872

PRODUCT: XTR-LUM30-65F-PP: 30mm x 65mm

TITLE: Pallet Layout

DRAWN BY: Lina.L DATE: Jan 01, 2019 SCALE: 1:1

FILE: XTR-LUM30-65F-PP.DWG

CONTACT: 1-404-691-6872

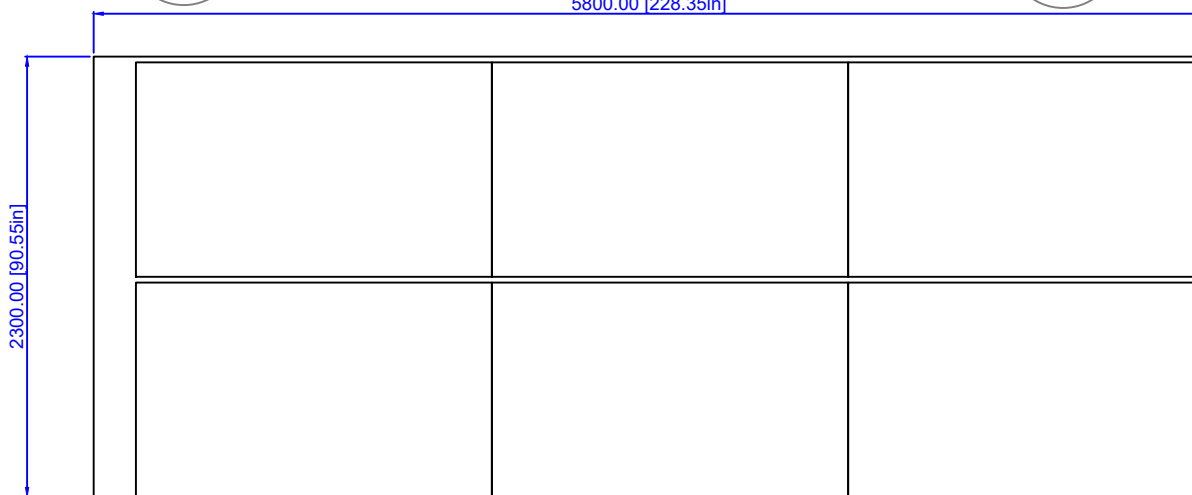
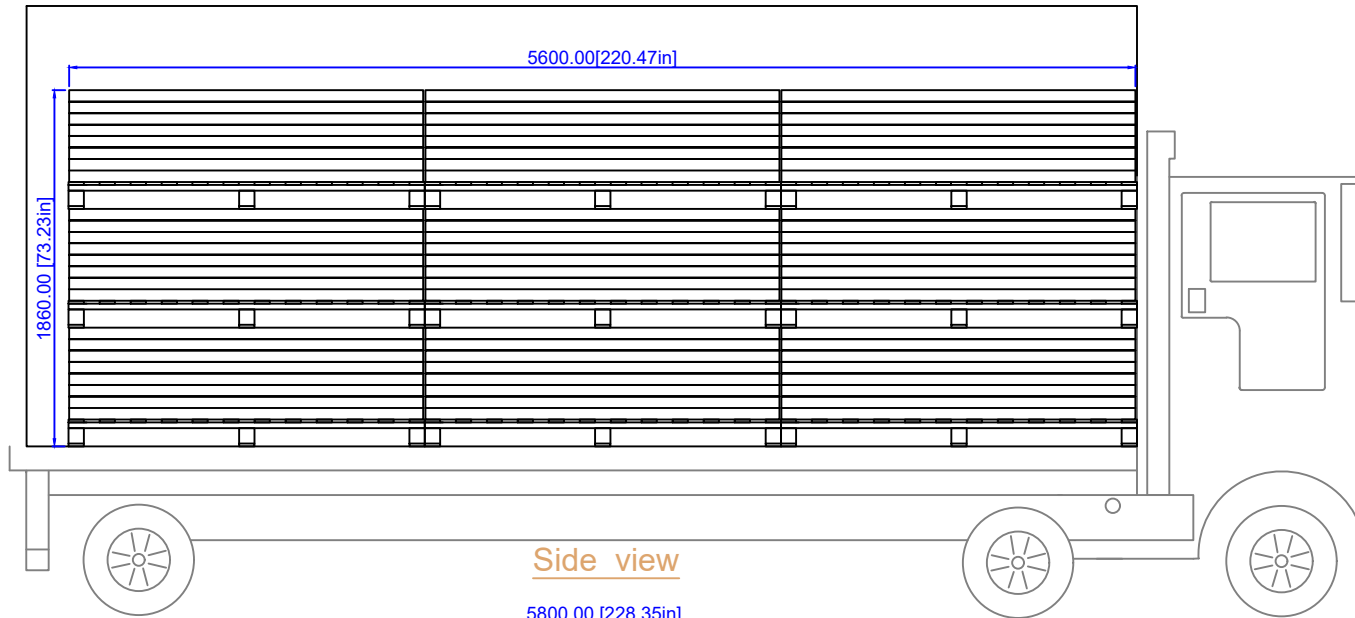
PRINTED:

Thickness tolerance: ±1mm

Width tolerance: ±1mm

Length tolerance: ±1mm

SAP V:
dasso XTR



REVISED BY: Lina.L
REVISED DATE:

PAGE NO:



6060 Boat Rock Blvd SW
Atlanta, GA 30336
www.dassoxttr.com
Tel: 1-404-691-6872

PRODUCT: XTR-LUM30-65F-PP: 30mm x 65mm

TITLE: 20' Container Loading—18 Pallet Max

DRAWN BY: Lina.L DATE: Jan 01, 2019 SCALE: 1:1

FILE: XTR-LUM30-65F-PP.DWG

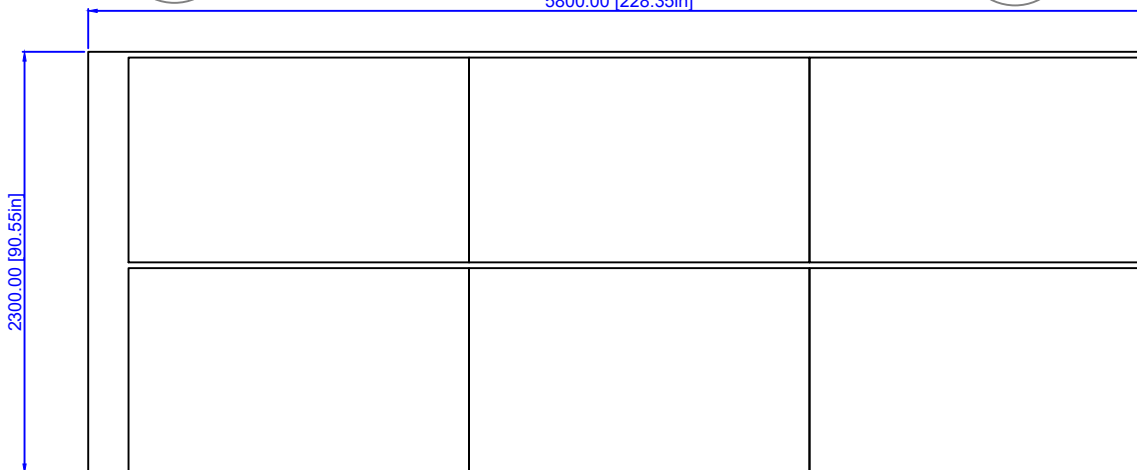
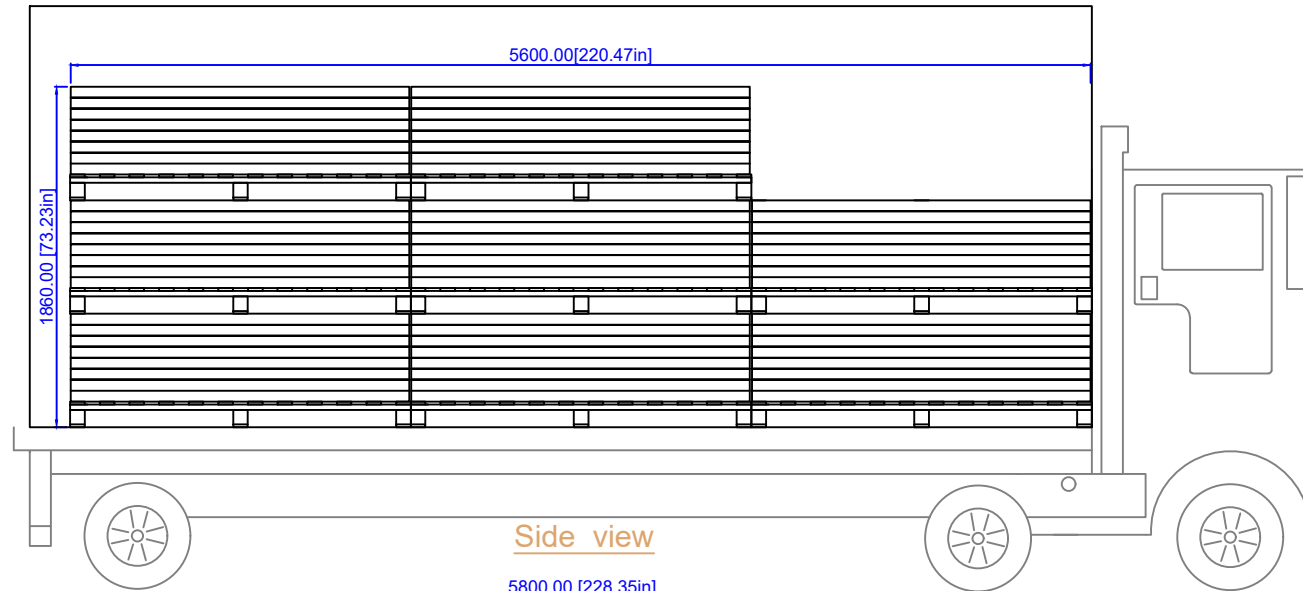
Dimensions: Interior

CONTACT: 1-404-691-6872

PRINTED:

SAP V:

dasso XTR



Top view

REVISED BY: Lina.L REVISED DATE:	REVISE ON:	PAGE NO.:	dassoXTR <i>Fused Bamboo® for Exterior Use</i> <small>6960 Boat Rock Blvd SW Atlanta, GA 30336 www.dassoxtf.com Tel: 1-404-691-6872</small>	PRODUCT: XTR-LUM30-65F-PP: 30mm x 65mm TITLE: 20' Container Loading—17 Pallet	Dimensions: Interior
SAP V: dasso XTR				DRAWN BY: Lina.L DATE: Jan 01, 2019 SCALE: 1:1 CONTACT: 1-404-691-6872	
				FILE: XTR-LUM30-65F-PP.DWG PRINTED:	