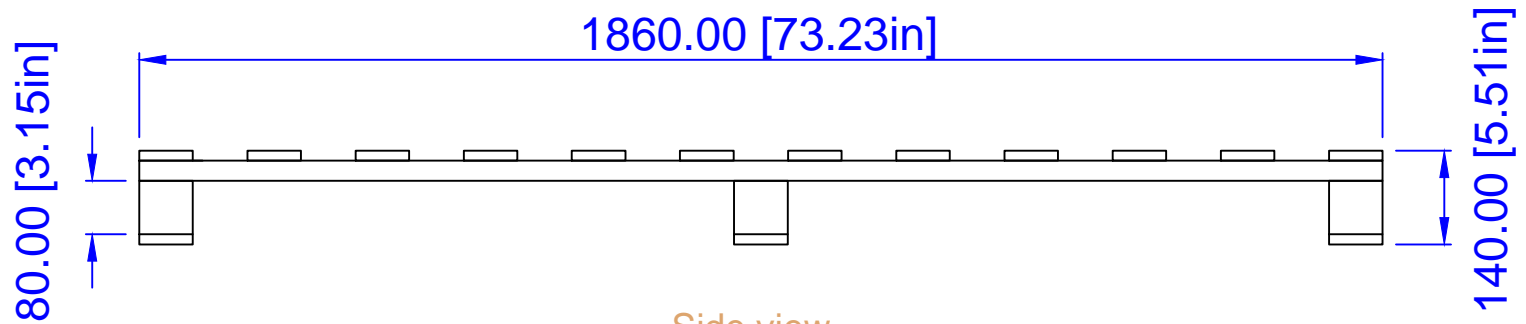


End view



Side view

REVISED BY: Lina.L  
REVISED DATE:

REVISE ON:

PAGE NO:



6060 Boat Rock Blvd SW  
Atlanta, GA 30336  
www.dassoxt.com  
Tel: 1-404-691-6872

PRODUCT: Wood Pallet Type 1120

TITLE: Wood Pallet Type 1120

DRAWN BY: Lina.L DATE: Jan 01, 2018

SCALE: 1:1

CONTACT: 1-404-691-6872

FILE: EPC-POR18-96TG-PP.DWG

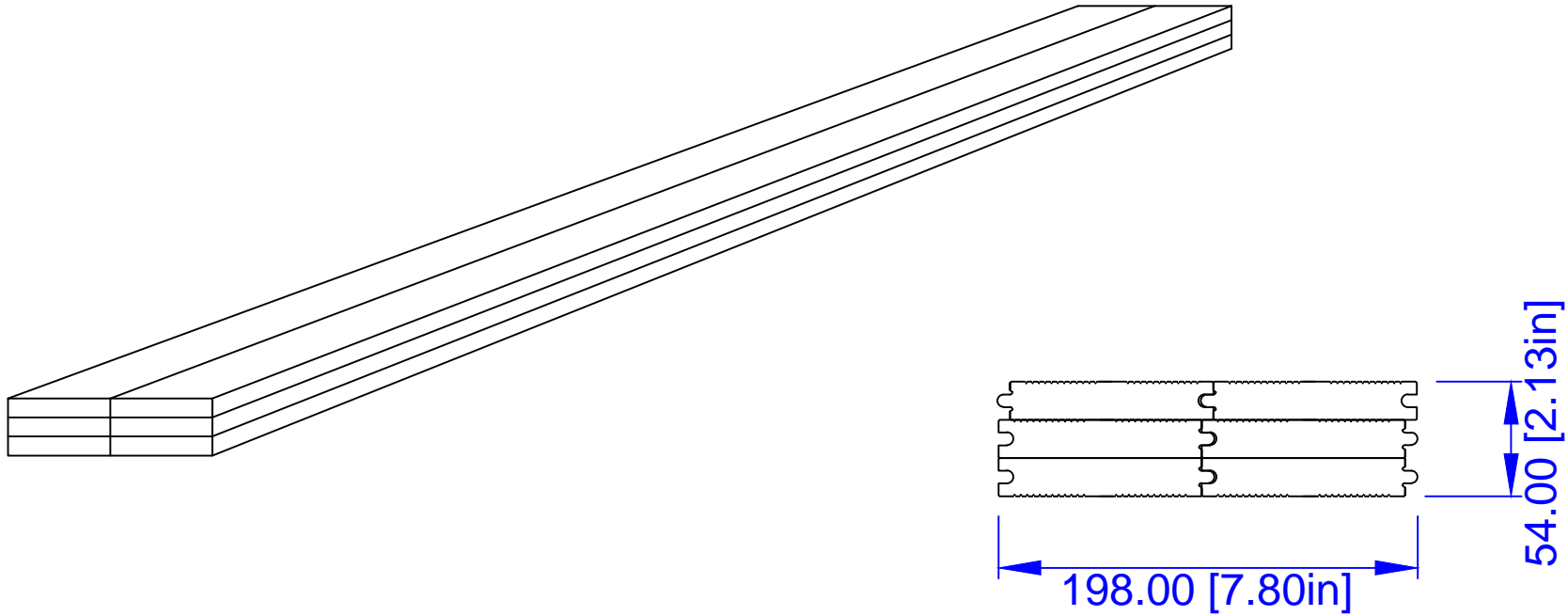
PRINTED:

Thickness tolerance: ±1mm

Width tolerance: ±1mm

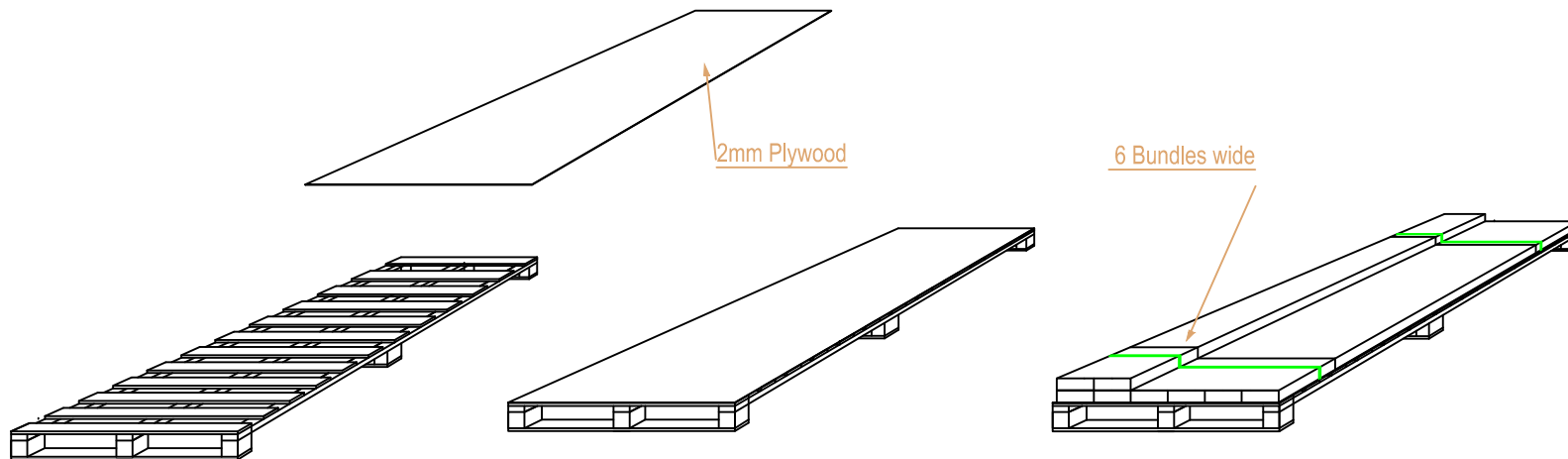
length tolerance: ±1mm

SAP V:  
dasso XTR



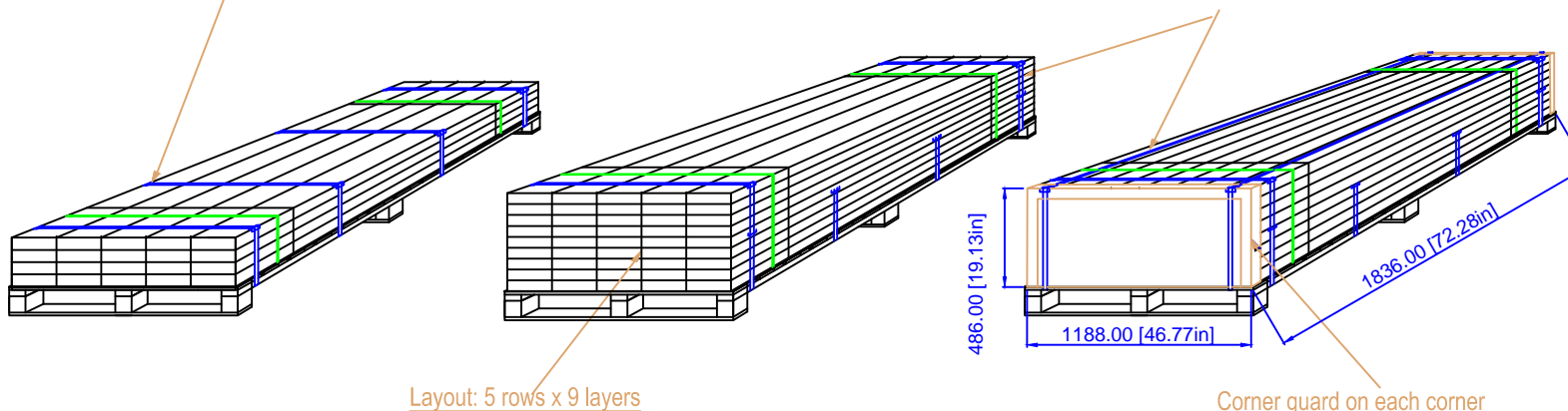
Packaging layout: 2 rows X 3 layers, total 6pcs

REVISED BY: Lina.L REVISION DATE:	REVISE ON:	PAGE NO:	<b>dassoXTR</b> <i>Fused Bamboo® for Exterior Use</i> <small>6060 Boat Rock Blvd SW          Atlanta, GA 30336  <a href="http://www.dassoxttr.com">www.dassoxttr.com</a>          Tel: 1-404-691-6872</small>	PRODUCT: EPC-POR18-96TG-PP TITLE: Bundle Package Layout DRAWN BY: Lina.L    DATE: Jan 01, 2018    SCALE: 1:1    CONTACT: 1-404-691-6872 FILE: EPC-POR18-96TG-PP.DWG	Thickness tolerance: ±0.2mm Width tolerance: ±0.2mm length tolerance: ±1mm
dasso XTR				PRINTED:	



There are 4 band in the middle of the pallet

There are 4 belts out of the pallet: before packaging the 4 belts, the wrap film is at least three layers and ensure full of the decking.



REVISED BY: Lina.L  
REVISED DATE:

REVISE ON:

PAGE NO:

**dassoXTR**  
Fused Bamboo® for Exterior Use

6060 Boat Rock Blvd SW  
Atlanta, GA 30336  
www.dassoxtf.com  
Tel: 1-404-691-6872

PRODUCT: EPC-POR18-96TG-PP

TITLE: Pallet Layout

DRAWN BY: Lina.L DATE: Jan 01, 2018

SCALE: 1:1

CONTACT: 1-404-691-6872

FILE: EPC-POR18-96TG-PP.DWG

PRINTED:

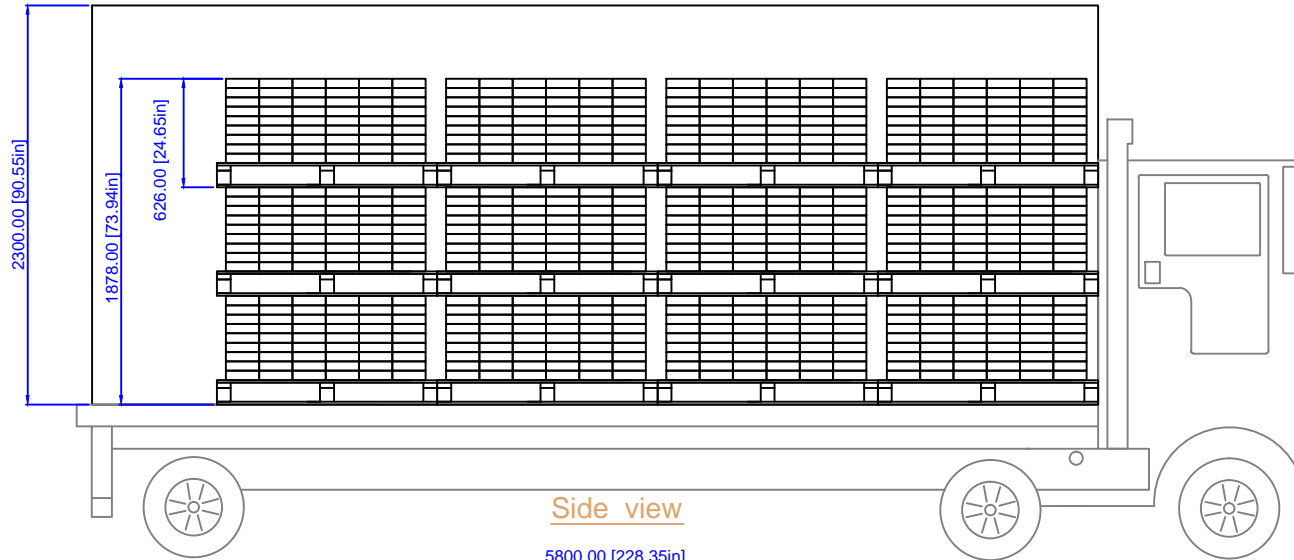
Thickness tolerance: ±1mm

Width tolerance: ±1mm

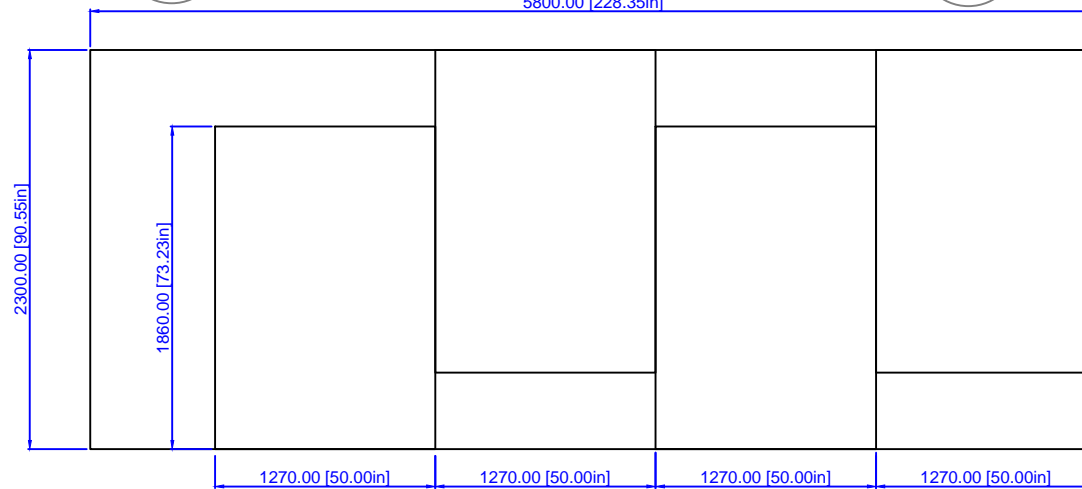
length tolerance: ±1mm

SAP V:

dasso XTR



Side view



Top view

REVISED BY: Lina.L  
REVISED DATE:

REVISE ON:

PAGE NO.:



6960 Boat Rock Blvd SW  
Atlanta, GA 30336  
www.dassoxtf.com  
Tel: 1-404-691-6872

PRODUCT: EPC-POR18-96TG-PP

TITLE: 20' Container Loading—18 Pallet Max

DRAWN BY: Lina.L DATE: Jan 01, 2018

FILE: EPC-POR18-96TG-PP.DWG

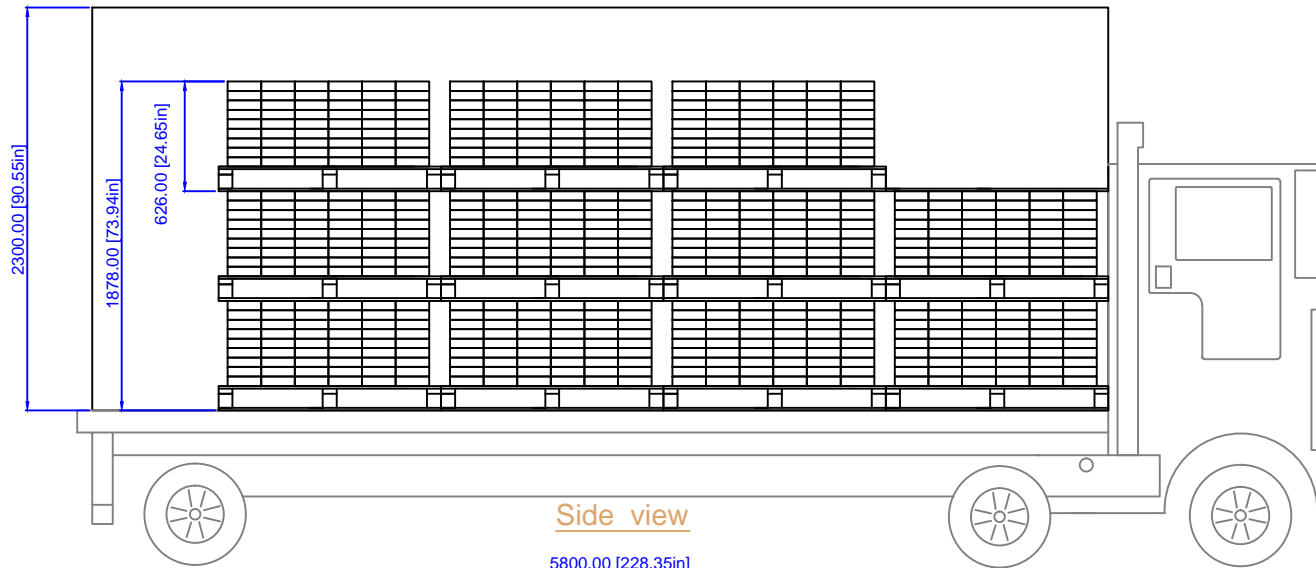
SCALE: 1:1

CONTACT: 1-404-691-6872

PRINTED:

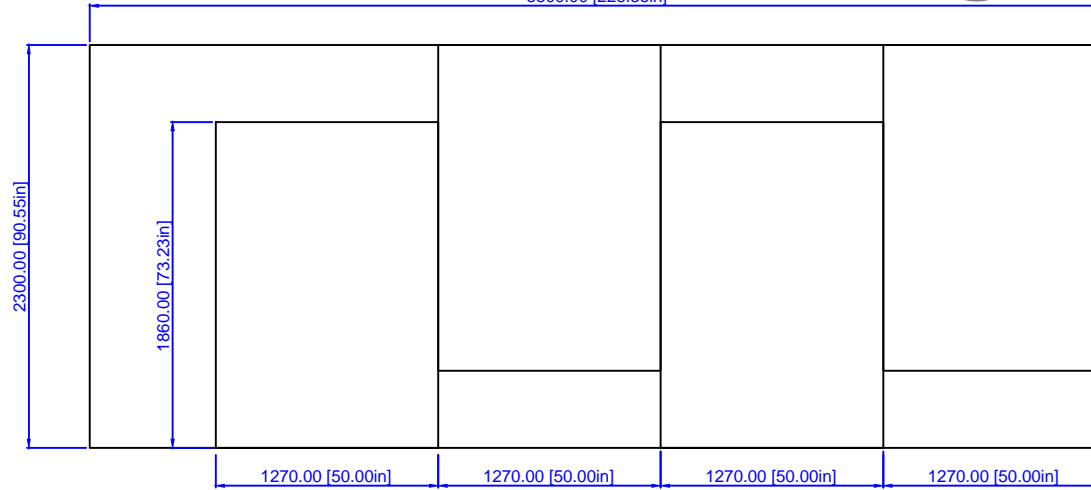
Dimensions: Interior

SAP V:  
dasso XTR



Side view

5800.00 [228.35in]



Top view

REVISED BY: Lina.L	REVISE ON: REVISED DATE:	PAGE NO.:
SAP V: dasso XTR		



PRODUCT: EPC-POR18-96TG-PP			Dimensions: Interior	
TITLE: 20' Container Loading—17 Pallet				
DRAWN BY: Lina.L	DATE: Jan 01, 2018	SCALE: 1:1	CONTACT: 1-404-691-6872	
FILE: EPC-POR18-96TG-PP.DWG			PRINTED:	