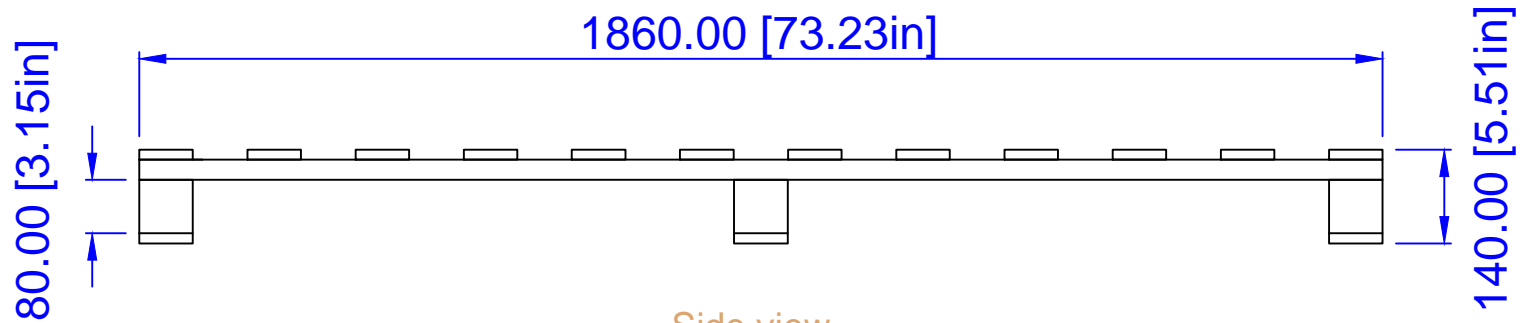


End view



Side view

REVISED BY: Lina.L
REVISED DATE:

REVISE ON:

PAGE NO.:

SAP V.:

dasso XTR

dassoXTR
Fused Bamboo® for Exterior Use
6060 Boat Rock Blvd SW
Atlanta, GA 30336
www.dassoxt.com
Tel: 1-404-691-6872

PRODUCT: Wood Pallet Type 1120

TITLE: Wood Pallet Type 1120

DRAWN BY: Lina.L DATE: Jan 01, 2018

SCALE: 1:1

CONTACT: 1-404-691-6872

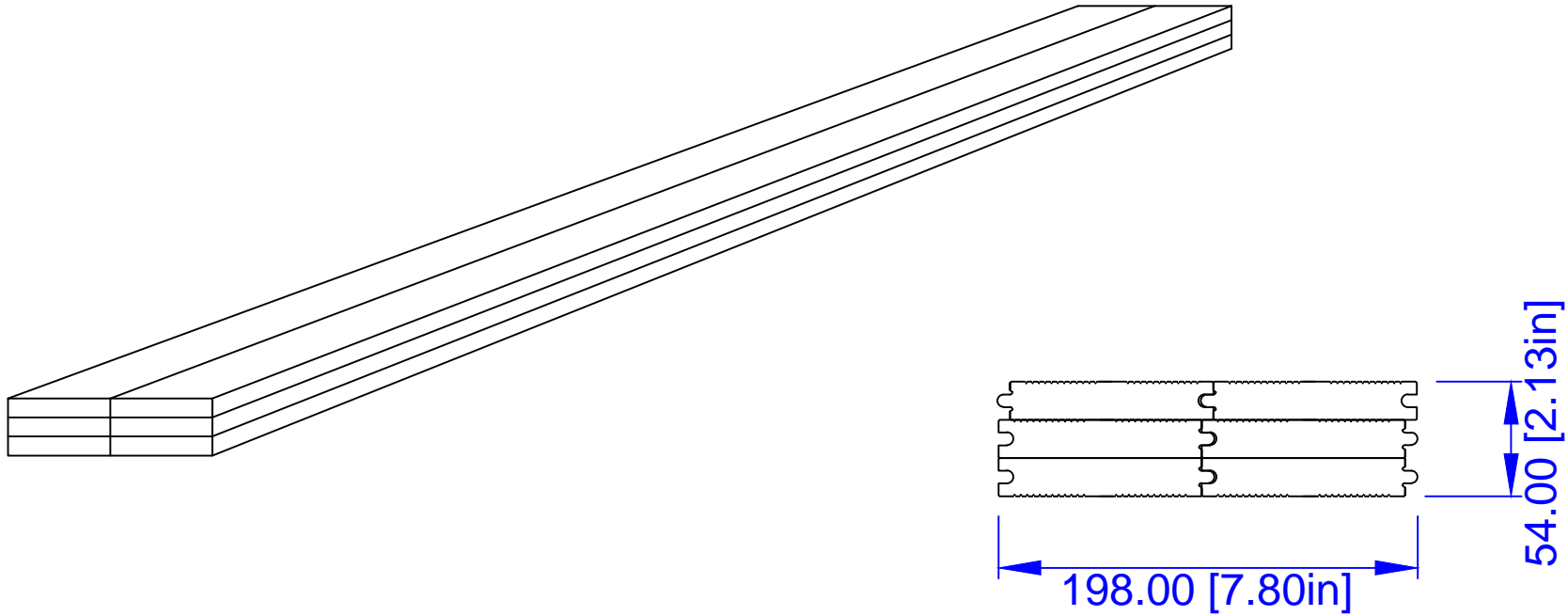
FILE: XTR-POR18-96TG-PP.DWG

PRINTED:


Thickness tolerance: ±1mm

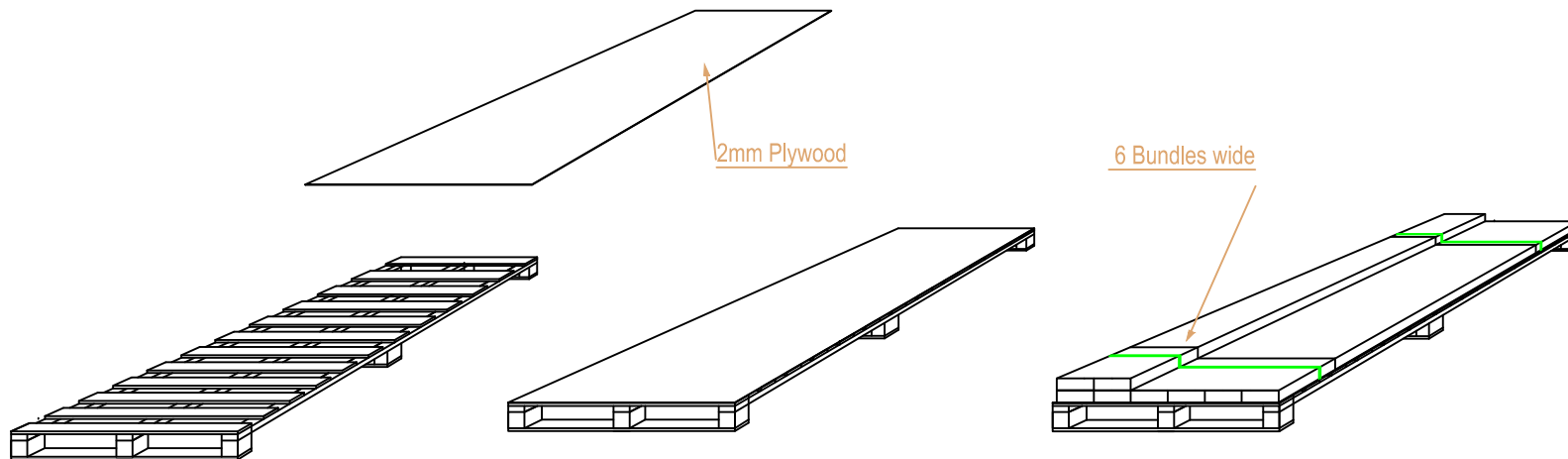
Width tolerance: ±1mm

length tolerance: ±1mm



Packaging layout: 2 rows X 3 layers, total 6pcs

| | | | |
|--|--|---|--|
| REVISED BY: Lina.L REVISION: REVISION DATE: SAP V: dasso XTR | PAGE NO:  <i>Fused Bamboo® for Exterior Use</i> 6060 Boat Rock Blvd SW Atlanta, GA 30336 www.dassoxtr.com Tel: 1-404-691-6872 | PRODUCT: XTR-POR18-96TG-PP TITLE: Bundle Package Layout DRAWN BY: Lina.L DATE: Jan 01, 2018 SCALE: 1:1 CONTACT: 1-404-691-6872 FILE: XTR-POR18-96TG-PP.DWG | Thickness tolerance: ±0.2mm Width tolerance: ±0.2mm Length tolerance: ±1mm PRINTED: |
|--|--|---|--|

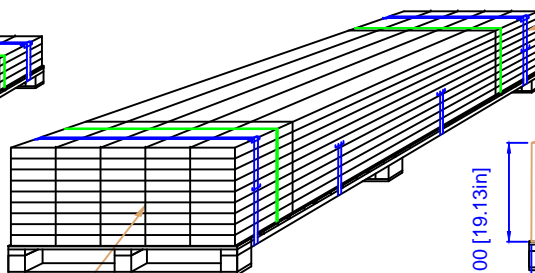
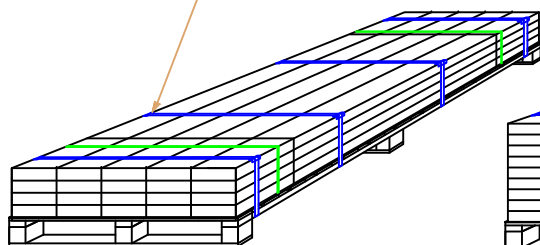


2mm Plywood

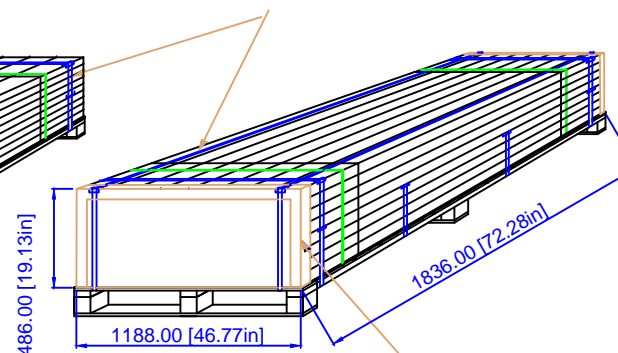
6 Bundles wide

There are 4 band in the middle of the pallet

There are 4 belts out of the pallet: before packaging the 4 belts, the wrap film is at least three layers and ensure full of the decking.



Layout: 5 rows x 9 layers



486.00 [19.13in]

1188.00 [46.77in]

1836.00 [72.28in]

Corner guard on each corner

REVISED BY: Lina.L
REVISOR: Lina.L
REVISED DATE:

PAGE NO:



6060 Boat Rock Blvd SW
Atlanta, GA 30336
www.dassoxttr.com
Tel: 1-404-691-6872

PRODUCT: XTR-POR18-96TG-PP

TITLE: Pallet Layout

DRAWN BY: Lina.L DATE: Jan 01, 2018

SCALE: 1:1

CONTACT: 1-404-691-6872

FILE: XTR-POR18-96TG-PP.DWG

PRINTED:

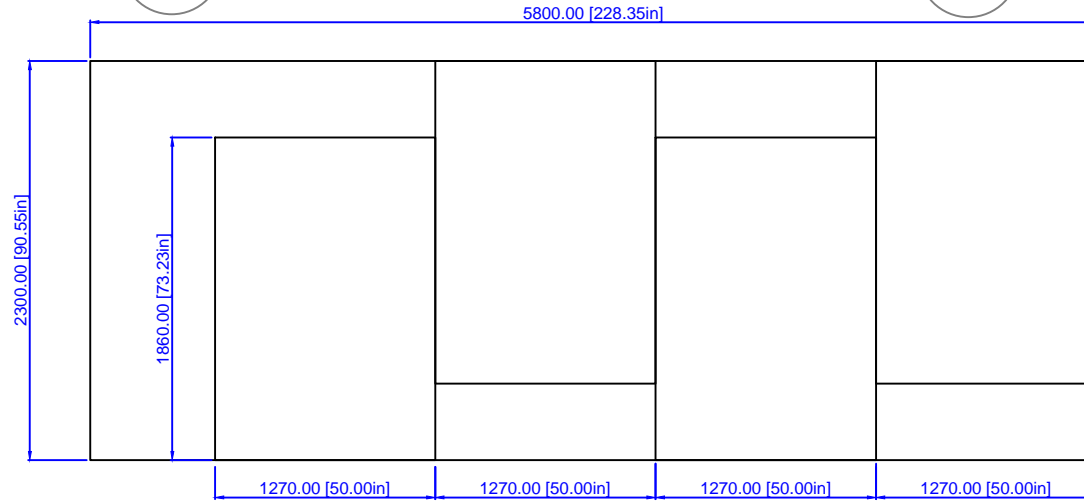
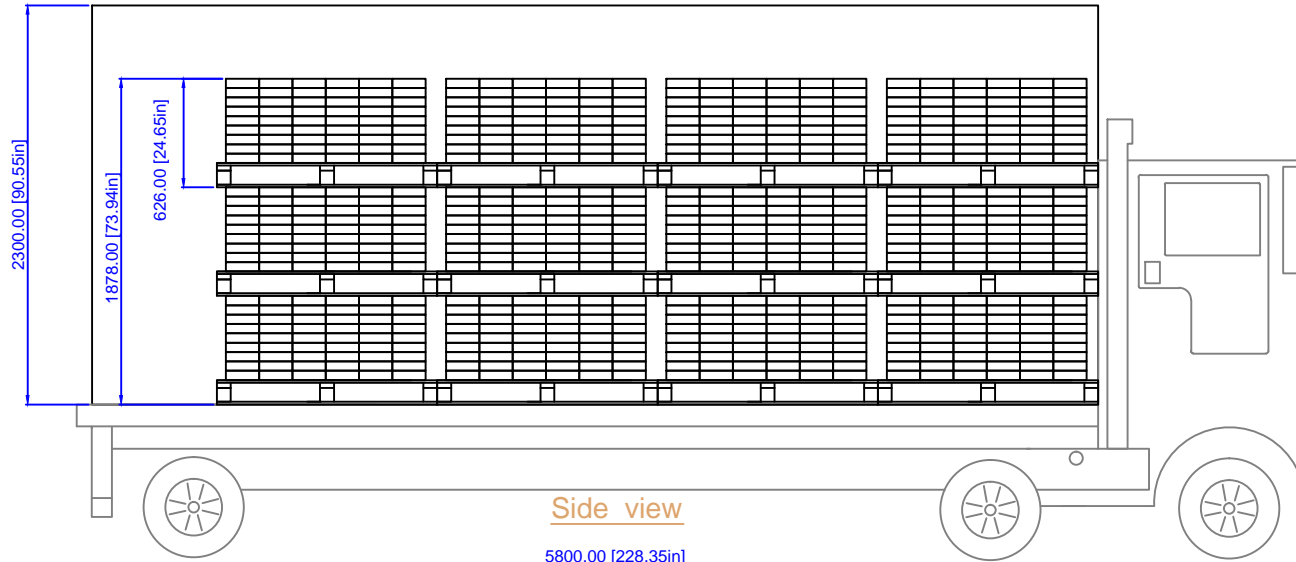
Thickness tolerance: ± 1 mm

Width tolerance: ± 1 mm

length tolerance: ± 1 mm

SAP V:

dasso XTR



Top view

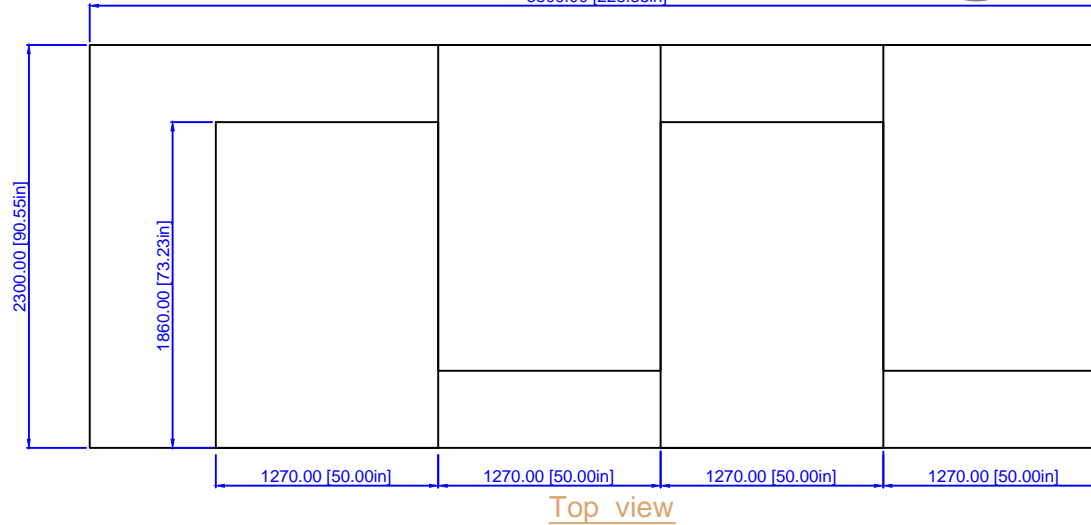
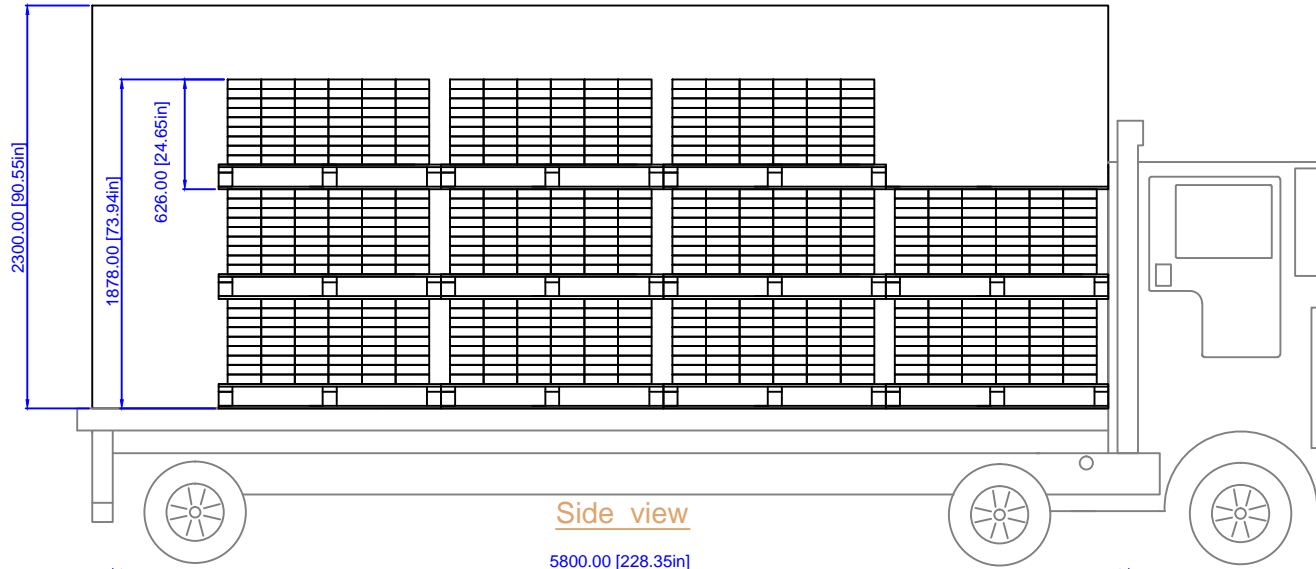
REVISED BY: Lina.L
 REVISION DATE:
 SAP V:
 dasso XTR

PAGE NO:



PRODUCT: XTR-POR18-96TG-PP
 TITLE: 20' Container Loading—18 Pallet Max
 DRAWN BY: Lina.L DATE: Jan 01, 2018 SCALE: 1:1 CONTACT: 1-404-691-6872
 FILE: XTR-POR18-96TG-PP.DWG PRINTED:

Dimensions: Interior



REVISED BY: Lina.L
 REVISED DATE:
 SAP V:
 dasso XTR

REVISION: _____
 PAGE NO.:



PRODUCT: XTR-POR18-96TG-PP
 TITLE: 20' Container Loading—17 Pallet
 DRAWN BY: Lina.L DATE: Jan 01, 2018 SCALE: 1:1 CONTACT: 1-404-691-6872
 FILE: XTR-POR18-96TG-PP.DWG PRINTED:

Dimensions: Interior