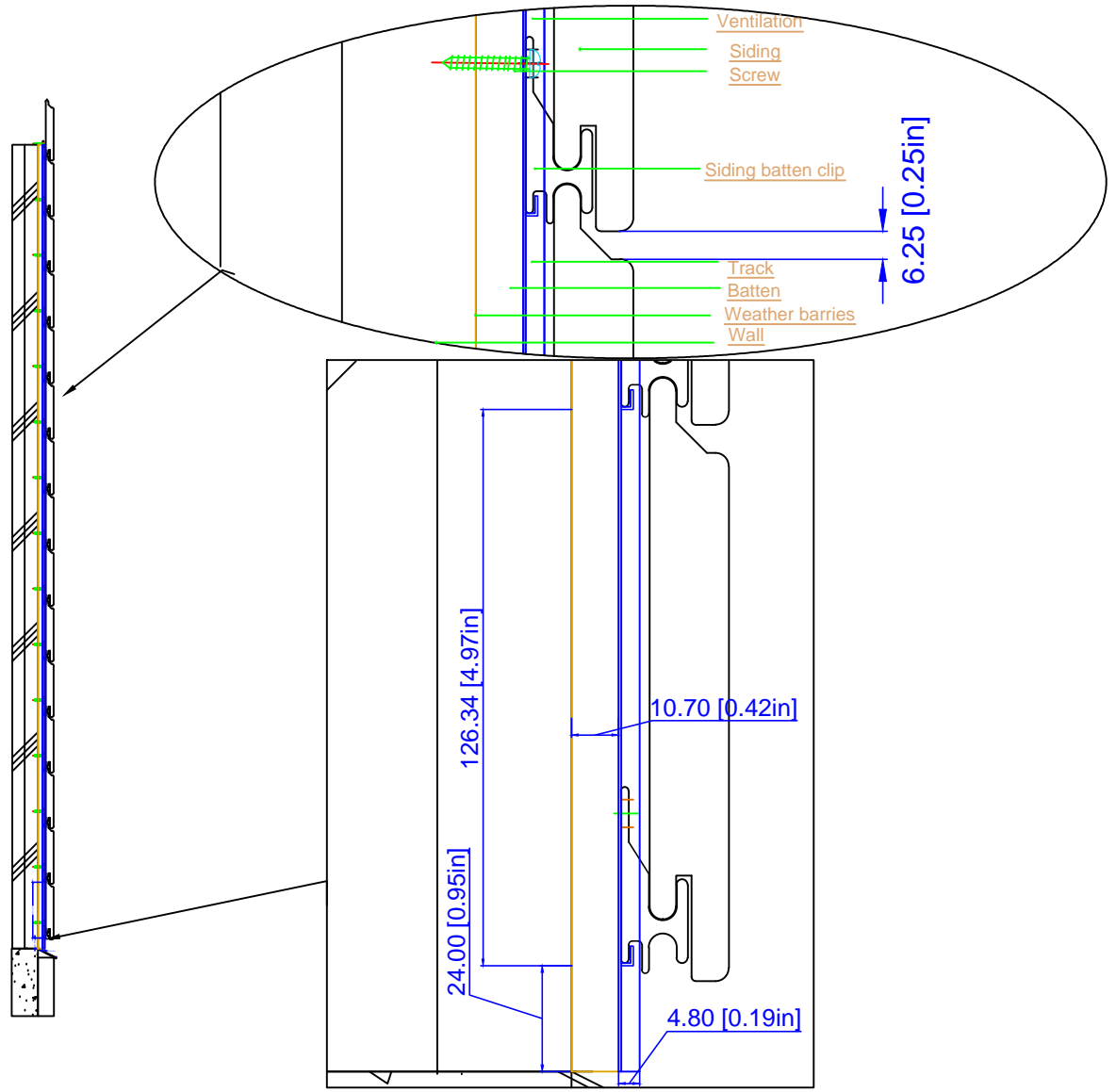


REVISED BY: Lina.L  
 REVISION DATE:  
 REVISION DATE:  
 SAP V:  
 dasso XTR



PRODUCT: XTR-SID18-137TG-PP 6" Siding : 18mm x 137mm  
 TITLE: Installation Sheathing With Track  
 DRAWN BY: Lina.L DATE: Jan 01, 2018 SCALE: 1:1 CONTACT: 1-404-691-6872  
 FILE: XTR-SID18-137TG-PP.DWG PRINTED:

Thickness tolerance: ±0.2mm  
 Width tolerance: ±0.2mm  
 length tolerance: ±1mm

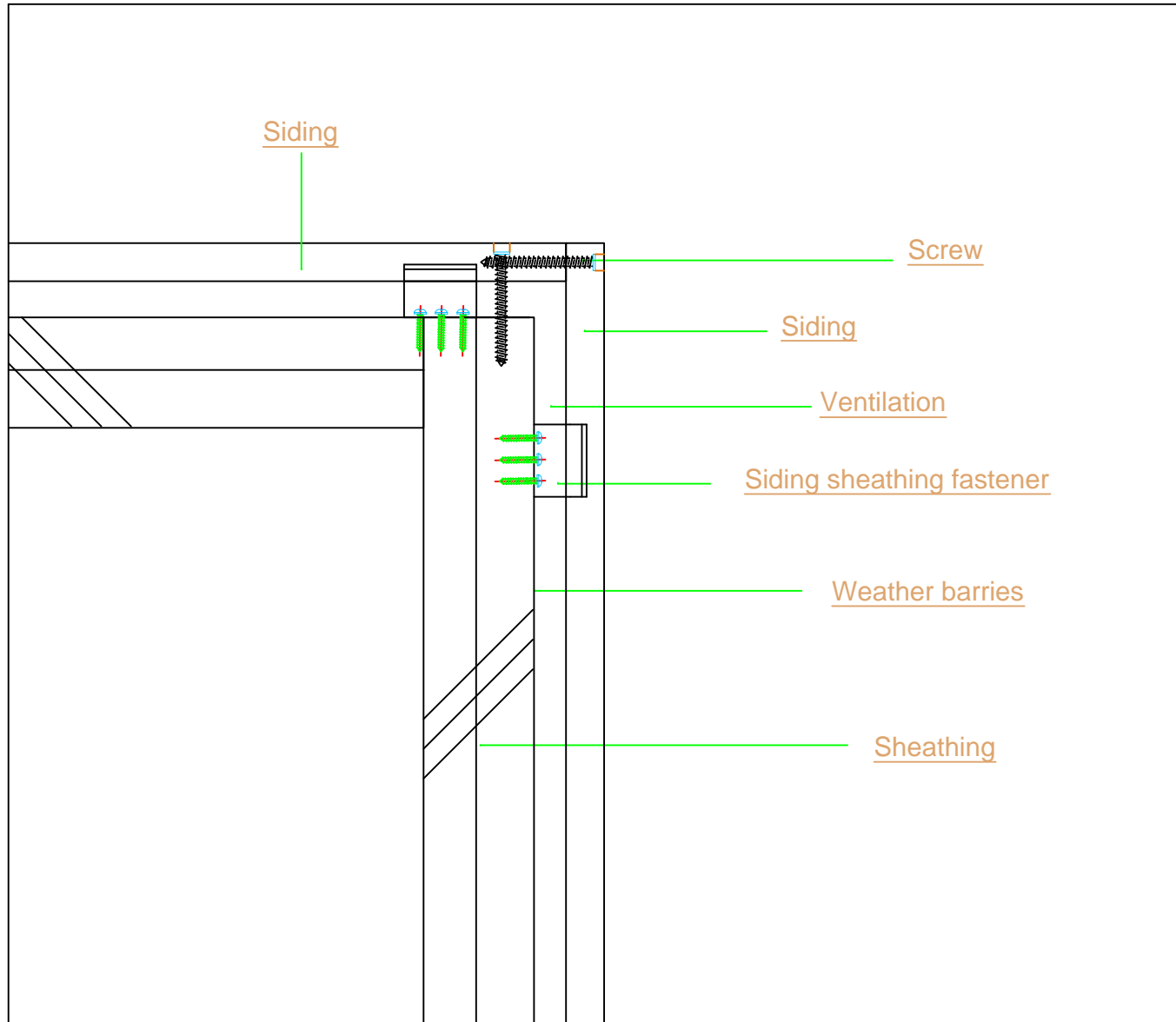


REVISED BY: Lina.L	REVISE ON:	PAGE NO.:
SAP V:		
dasso XTR		



PRODUCT: XTR-SID18-137TG-PP 6" Siding : 18mm x 137mm		
TITLE: Installation Batten With Track		
DRAWN BY: Lina.L	DATE: Jan 01, 2018	SCALE: 1:1
FILE: XTR-SID18-137TG-PP.DWG		CONTACT: 1-404-691-6872
		PRINTED:

Thickness tolerance: ±0.2mm
Width tolerance: ±0.2mm
length tolerance: ±1mm



REVISED BY: Lina.L  
 REVISION: REVISED DATE:

PAGE NO.



PRODUCT: XTR-SID18-137TG-PP 6" Siding : 18mm x 137mm

TITLE: Corner Installation

DRAWN BY: Lina.L DATE: Jan 01, 2018 SCALE: 1:1 CONTACT: 1-404-691-6872

FILE: XTR-SID18-137TG-PP.DWG

PRINTED:

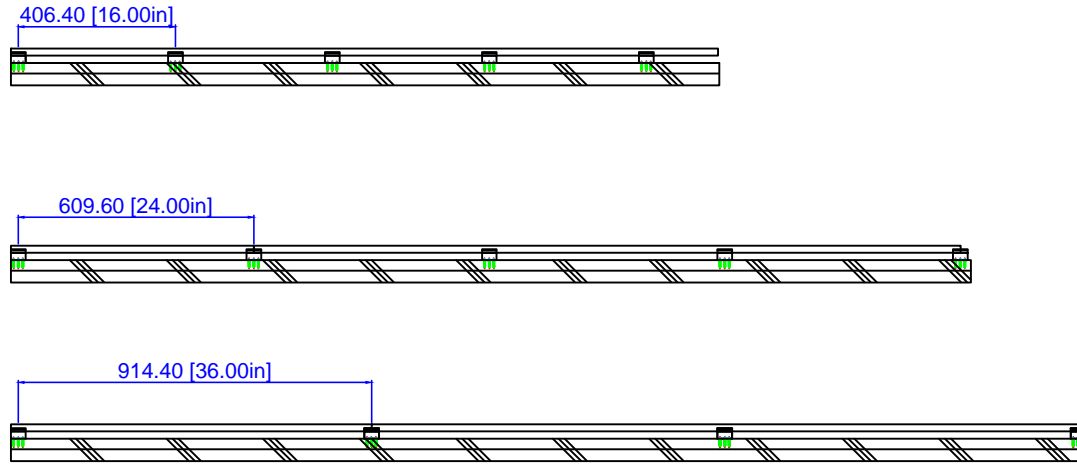
Thickness tolerance: ±0.2mm

Width tolerance: ±0.2mm

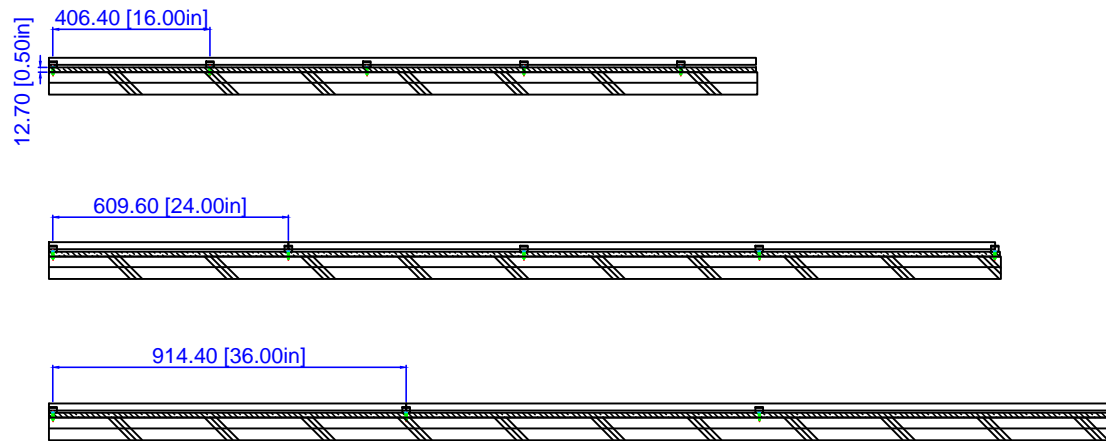
length tolerance: ±1mm

SAP-V:

dasso XTR



Siding Sheathing Fastener



Siding Batten Fastener

REVISED BY: Lina.L  
REVISED DATE:

REVISE ON:

PAGE NO.:

SAP V.:

dasso XTR



PRODUCT: XTR-SID18-137TG-PP 6" Siding: 18mm x 137mm

TITLE: Joist Span

DRAWN BY: Lina.L DATE: Jan 01, 2018

SCALE: 1:1

CONTACT: 1-404-691-6872

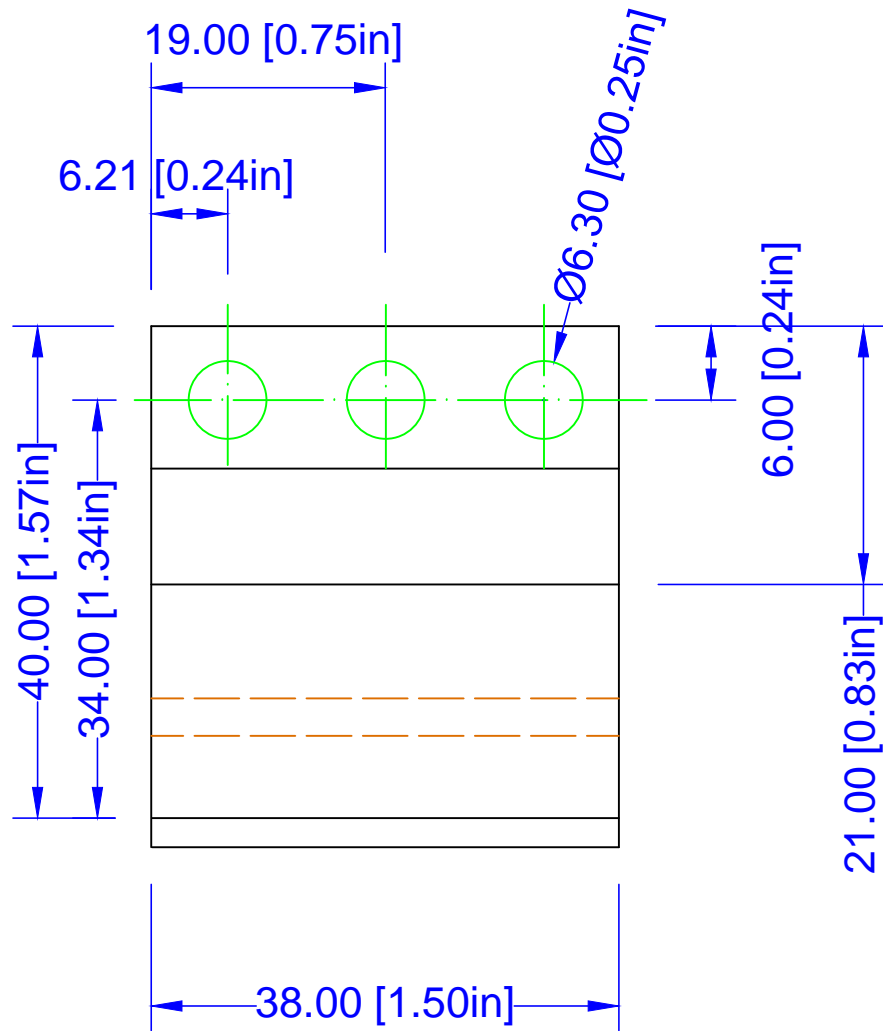
FILE: XTR-SID18-137TG-PP.DWG

PRINTED:

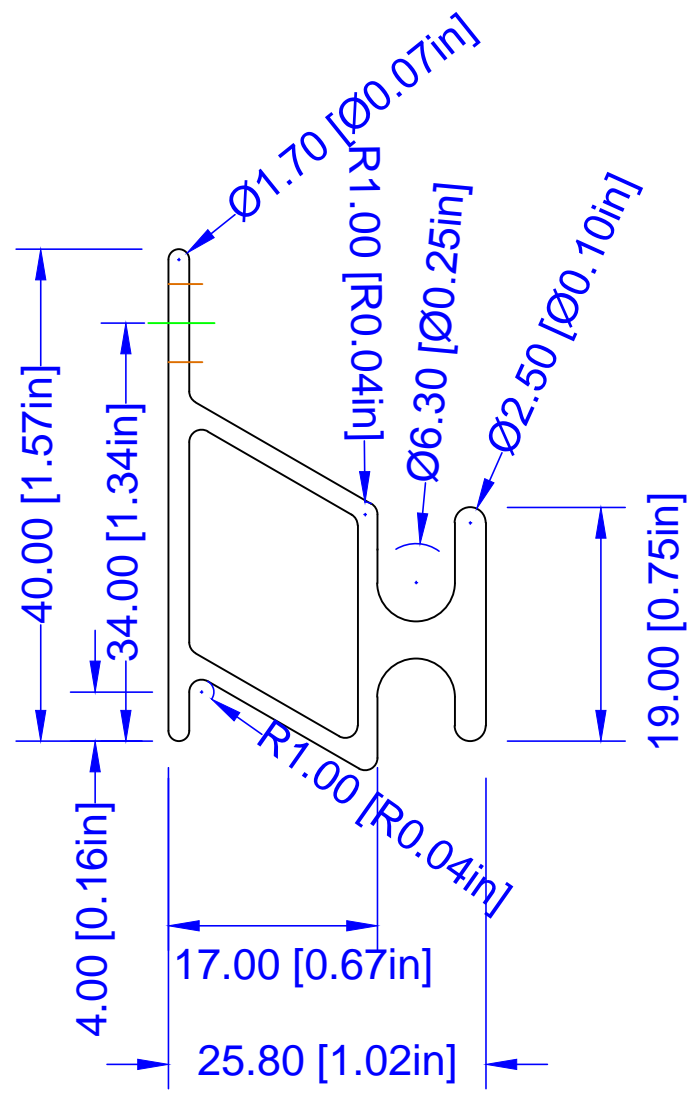
Thickness tolerance: ±0.2mm

Width tolerance: ±0.2mm

length tolerance: ±1mm

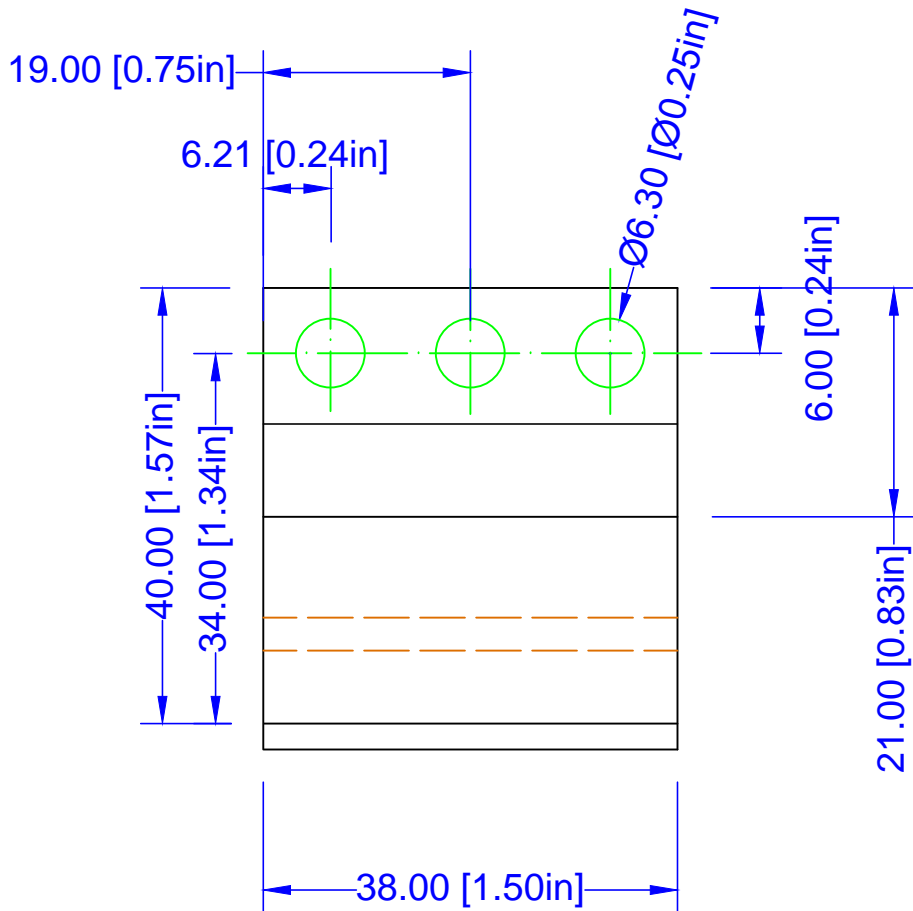


Front view

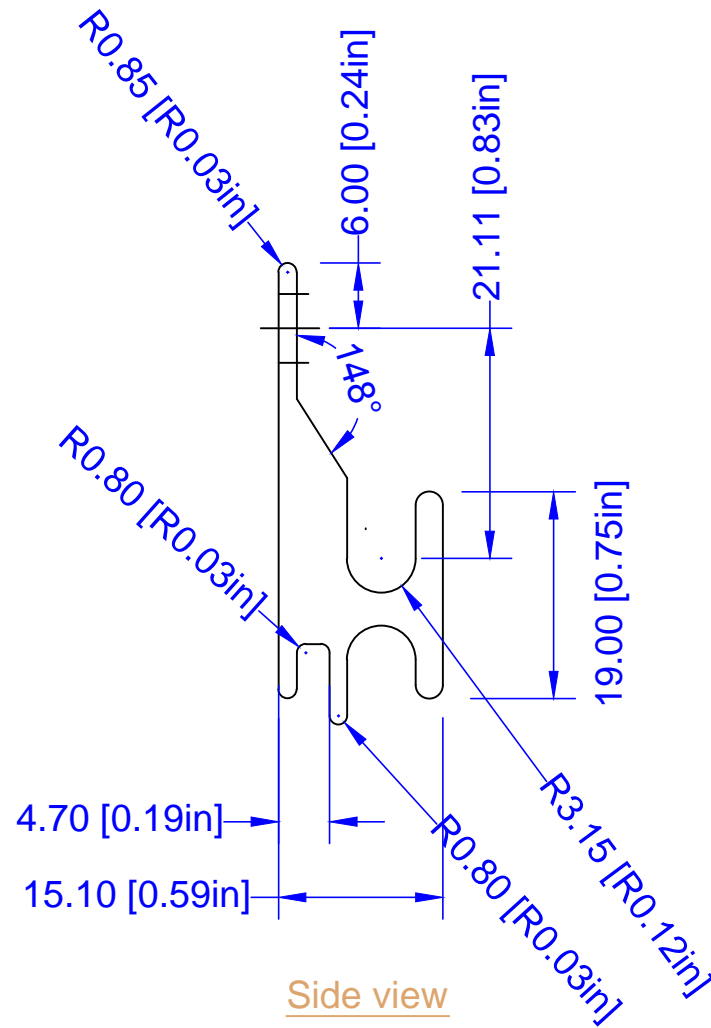


Side view


REVISIONS: Lina.L REVISED DATE:	REVISIONS: Lina.L REVISED DATE:	PAGE NO.:	<b>dassoXTR</b> Fused Bamboo® for Exterior Use 6090 Buford Rock Blvd SW Atlanta, GA 30336 www.dassoxt.com Tel: 1-404-691-6872	<b>PRODUCT:</b> ASD-RC3S-W Siding Sheathing Fastener <b>TITLE:</b> Sheathing Fastener Profile <b>DRAWN BY:</b> Lina.L <b>DATE:</b> Jan 01, 2018 <b>SCALE:</b> 1:1 <b>CONTACT:</b> 1-404-691-6872 <b>FILE:</b> XTR-SID18-137TG-PP.DWG	<b>Thickness tolerance:</b> ±0.2mm <b>Width tolerance:</b> ±0.2mm <b>length tolerance:</b> ±1mm
<b>dasso XTR</b>					
<b>PRINTED:</b>					

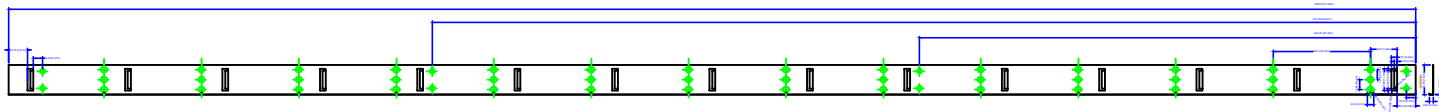


Front view



Side view

REVISED BY: Lina.L REVISED DATE: SAP V: dasso XTR	REVISE ON: PAGE NO.:	 Fused Bamboo® for Exterior Use <small>6060 Buford Road Blvd SW          Atlanta, GA 30338          www.dassoxtr.com          Tel: 1-404-691-6872</small>	PRODUCT: ASD-RC3B-W Siding Batten Fastener TITLE: Batten Fastener Profile DRAWN BY: Lina.L DATE: Jan 01, 2018 SCALE: 1:1 CONTACT: 1-404-691-6872 FILE: XTR-SID18-137TG-PP.DWG	Thickness tolerance: ±0.2mm Width tolerance: ±0.2mm Length tolerance: ±1mm
PRINTED:				



REVISED BY: Lina.L  
REVISED DATE:

REVISE ON:

PAGE NO.:

SAP V:

dasso XTR



PRODUCT: ASD-RFT-137G Fast Track for 6" Siding

TITLE: Fast Track Overview

DRAWN BY: Lina.L DATE: Jan 01, 2018

SCALE: 1:1

CONTACT: 1-404-691-6872

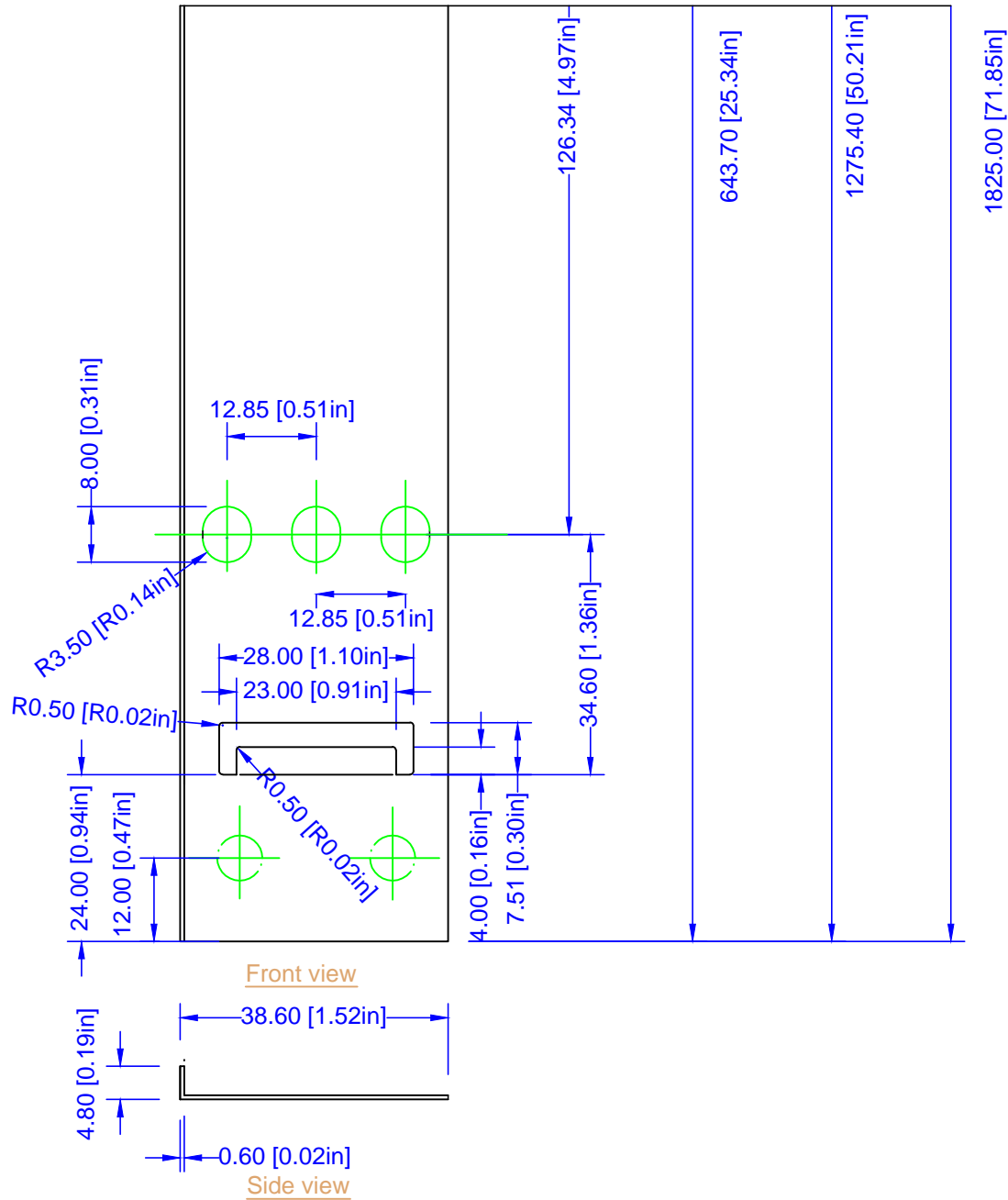
FILE: XTR-SID18-137TG-PP.DWG

PRINTED:

Thickness tolerance:  $\pm 0.2\text{mm}$

Width tolerance:  $\pm 0.2\text{mm}$

length tolerance:  $\pm 1\text{mm}$



643.70 [25.34in]

1275.40 [50.21in]

1825.00 [71.85in]

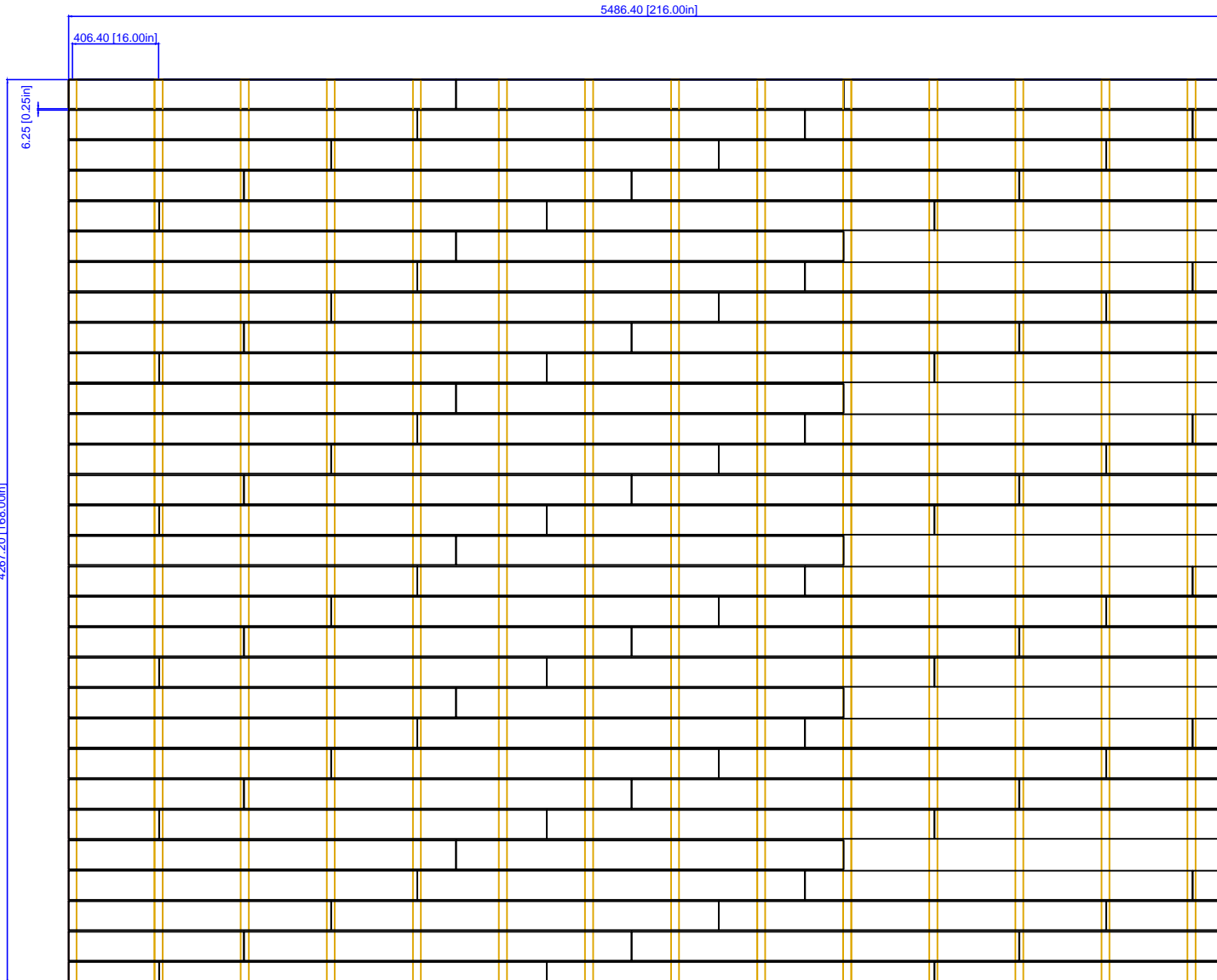
REVISED BY: Lina.L	REVISE ON:	PAGE NO.:
SAP V.:		
dasso XTR		



PRODUCT: ASD-RFT-137G Fast Track for 6" Siding		
TITLE: Fast Track Profile		
DRAWN BY: Lina.L	DATE: Jan 01, 2018	SCALE: 1:1
CONTACT: 1-404-691-6872		PRINTED:
FILE: XTR-SID18-137TG-PP.DWG		

Thickness tolerance: ±0.2mm
Width tolerance: ±0.2mm
length tolerance: ±1mm





REVISED BY: Lina.L  
REVISED DATE:

REVISE ON:

PAGE NO:

SAP V:

dasso XTR



PRODUCT: XTR-SID18-137TG-PP 6" Siding : 18mm x 137mm

TITLE: Random 16" Center to Center

DRAWN BY: Lina.L DATE: Jan 01, 2018

FILE: XTR-SID18-137TG-PP.DWG

SCALE: 1:1

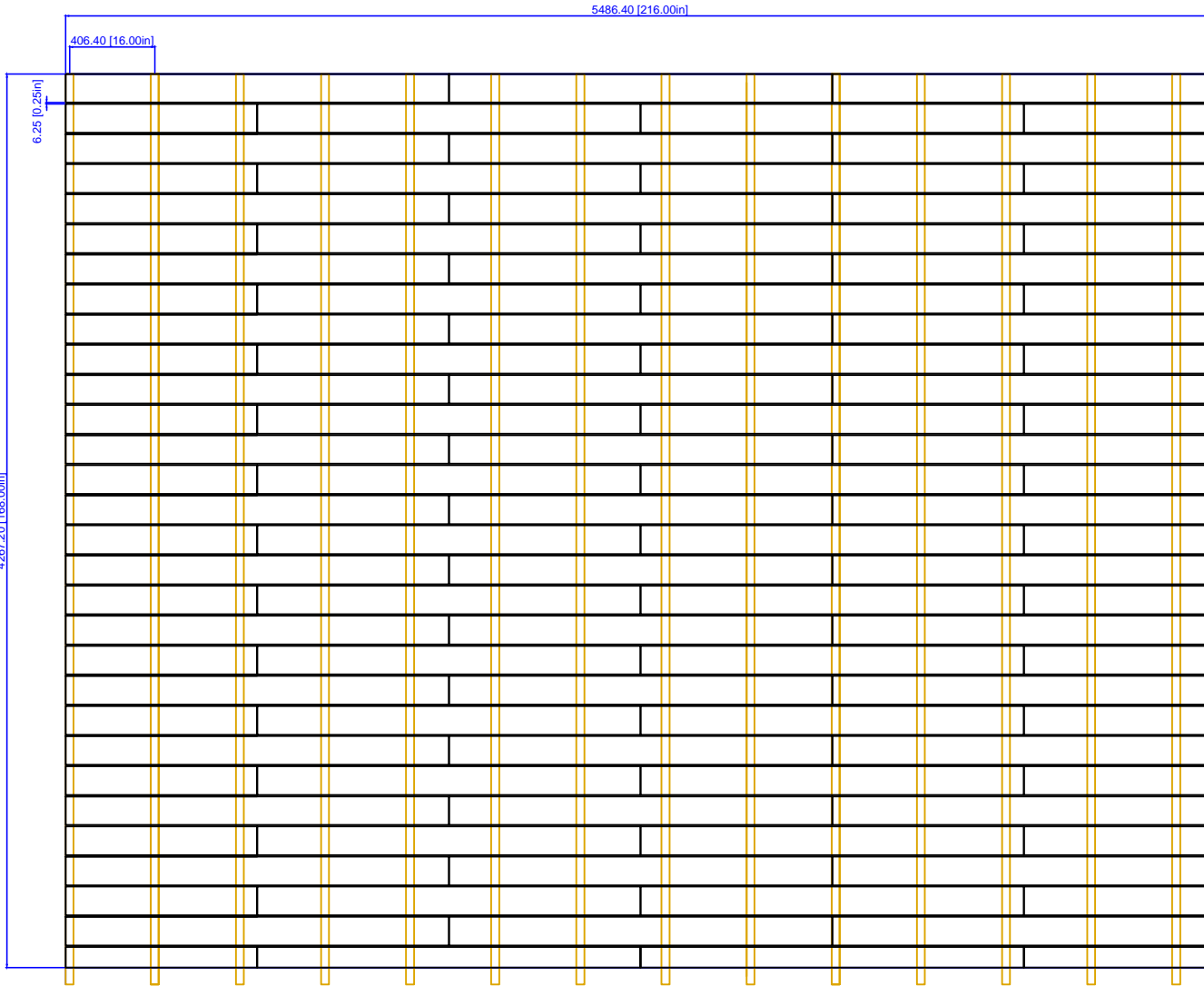
CONTACT: 1-404-691-6872

PRINTED:

Thickness tolerance: ±0.2mm

Width tolerance: ±0.2mm

length tolerance: ±1mm



REVISED BY: Lina.L  
REVISED DATE:

PAGE NO.:

SAP V.:

dasso XTR



6060 Boat Rock Blvd SW  
Atlanta, GA 30336  
www.dassoxtr.com  
Tel: 1-404-691-6872

PRODUCT: XTR-SID18-137TG-PP 6" Siding : 18mm x 137mm

TITLE: Staggered 16" Center to Center

DRAWN BY: Lina.L DATE: Jan 01, 2018

SCALE: 1:1

CONTACT: 1-404-691-6872

FILE: XTR-SID18-137TG-PP.DWG

PRINTED:

Thickness tolerance: ±0.2mm

Width tolerance: ±0.2mm

length tolerance: ±1mm