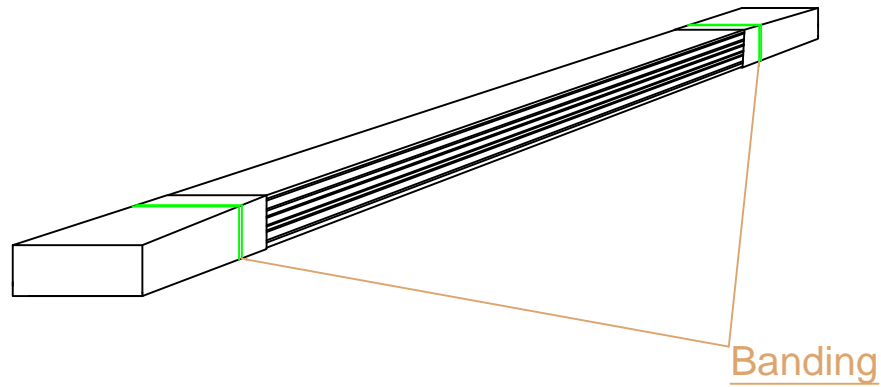
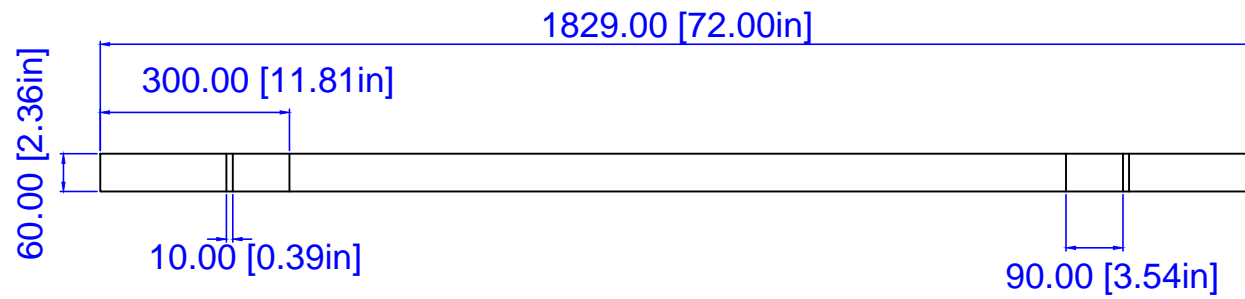


REVISOR:	REVISION:	PAGE NO.:
Lina.L		
REVISION DATE:		
SAP V:	dasso XTR	



PRODUCT: Wood Pallet Type 1120				Thickness tolerance: ±1mm	
TITLE: Wood Pallet Type 1120				Width tolerance: ±1mm	
DRAWN BY: Lina.L				length tolerance: ±1mm	
DATE: Jan 01, 2018	SCALE: 1:1	CONTACT: 1-404-691-6872			
FILE: XTR-SID18-137TG-PP.DWG				PRINTED:	



REVISED BY: Lina.L  
 REVISED DATE:  
 SAP V:  
 dasso XTR

PAGE NO.:



PRODUCT: XTR-SID18-137TG-PP 6" Siding : 18mm x 137mm

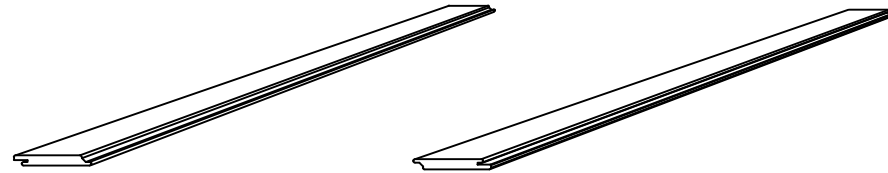
TITLE: Bundle Dimension

DRAWN BY: Lina.L DATE: Jan 01, 2018 SCALE: 1:1 CONTACT: 1-404-691-6872

FILE: XTR-SID18-137TG-PP.DWG

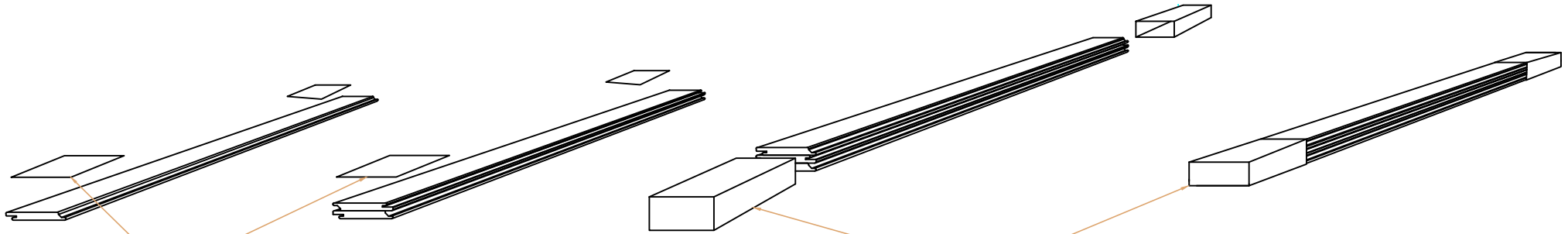
PRINTED:

Thickness tolerance: ±0.2mm  
 Width tolerance: ±0.2mm  
 length tolerance: ±1mm



Front view

Back view



Place between each plank

Paper sleeves: place on each end of the bundle

REVISED BY: Lina.L  
REVISED DATE:

REVISE ON:

PAGE NO.:

SAP V.:

dasso XTR



PRODUCT: XTR-SID18-137TG-PP 6" Siding : 18mm x 137mm

TITLE: Siding Bundle Package Layout

DRAWN BY: Lina.L DATE: Jan 01, 2018

SCALE: 1:1

CONTACT: 1-404-691-6872

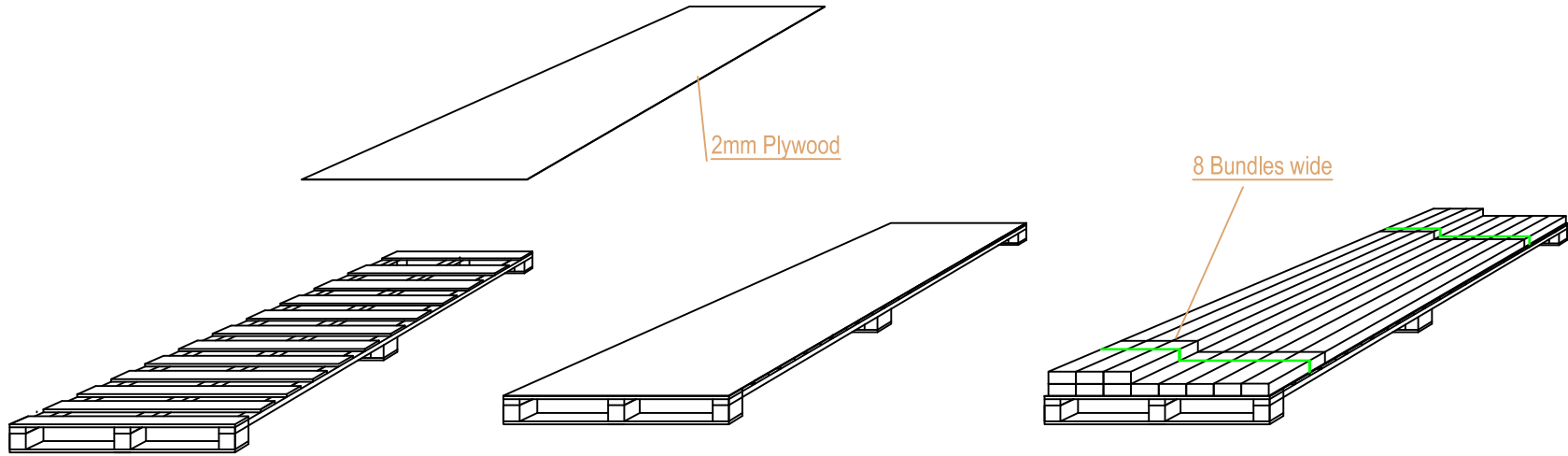
FILE: XTR-SID18-137TG-PP.DWG

PRINTED:

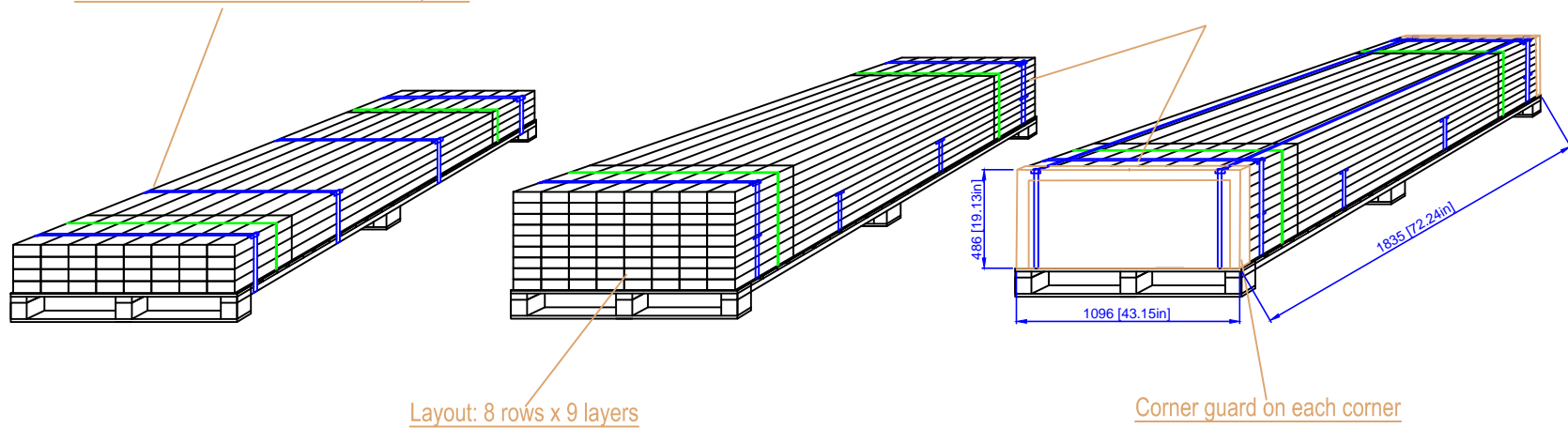
Thickness tolerance:  $\pm 0.2\text{mm}$

Width tolerance:  $\pm 0.2\text{mm}$

length tolerance:  $\pm 1\text{mm}$



There are 4 belts out of the pallet: before packaging the 4 belts, the wrap film is at least three layers and ensure full of the decking.



REVISED BY: Lina.L  
REVISED DATE:

REVISE ON:

PAGE NO:

SAP V:

dasso XTR



PRODUCT: XTR-SID18-137TG-PP 6" Siding : 18mm x 137mm

TITLE: Pallet Layout

DRAWN BY: Lina.L

DATE: Jan 01, 2018

SCALE: 1:1

CONTACT: 1-404-691-6872

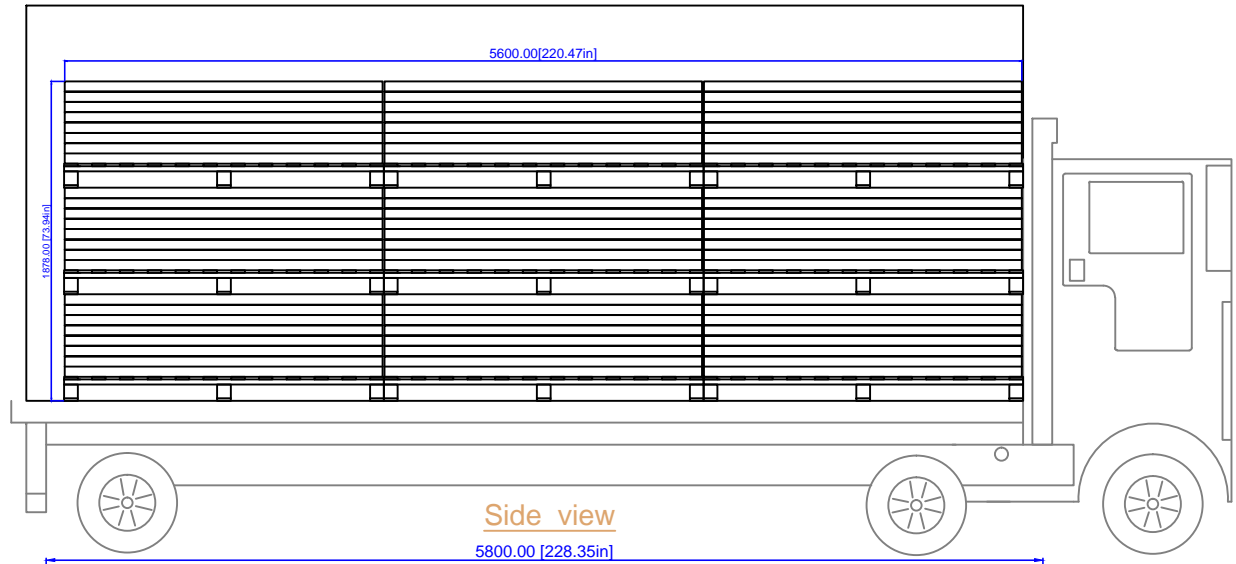
FILE: XTR-SID18-137TG-PP.DWG

PRINTED:

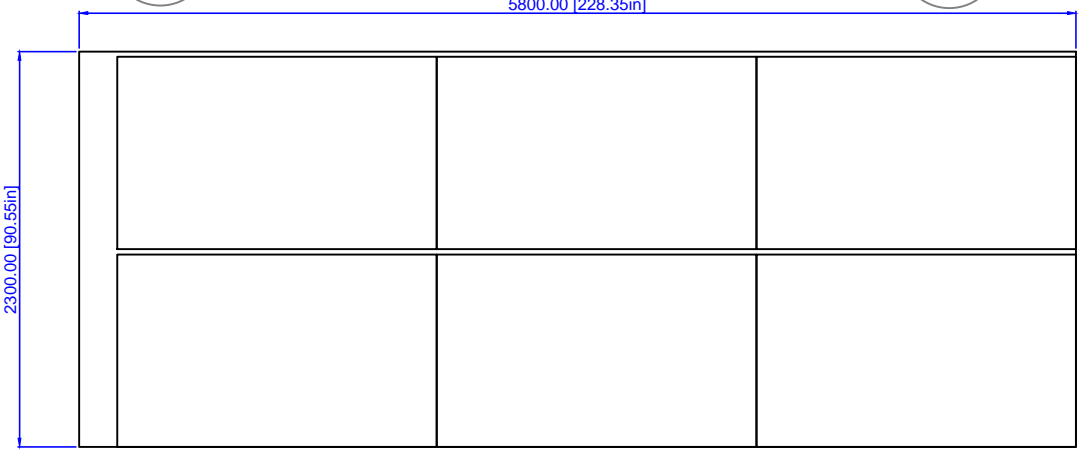
Thickness tolerance: ±1mm

Width tolerance: ±1mm

length tolerance: ±1mm



Side view



Top view

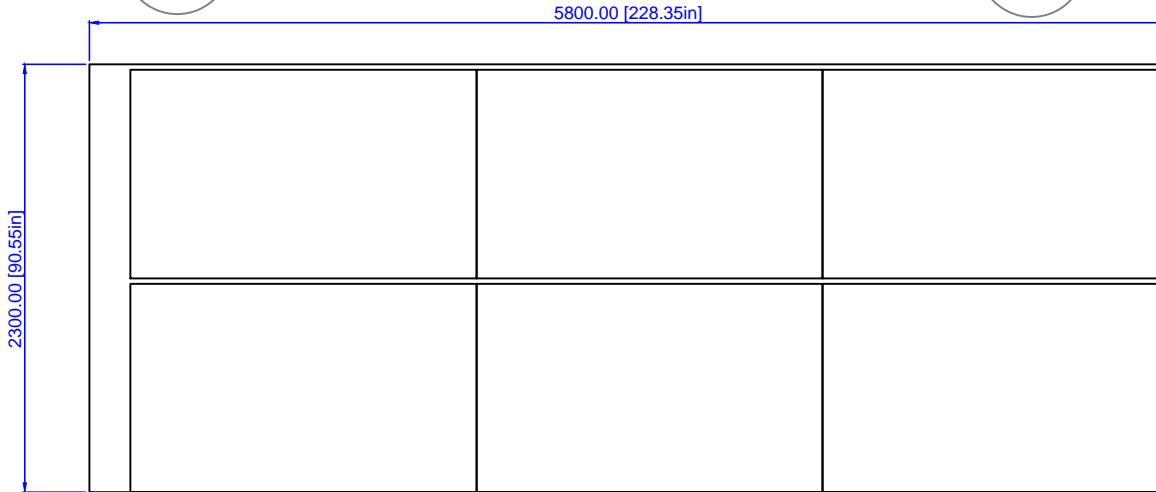
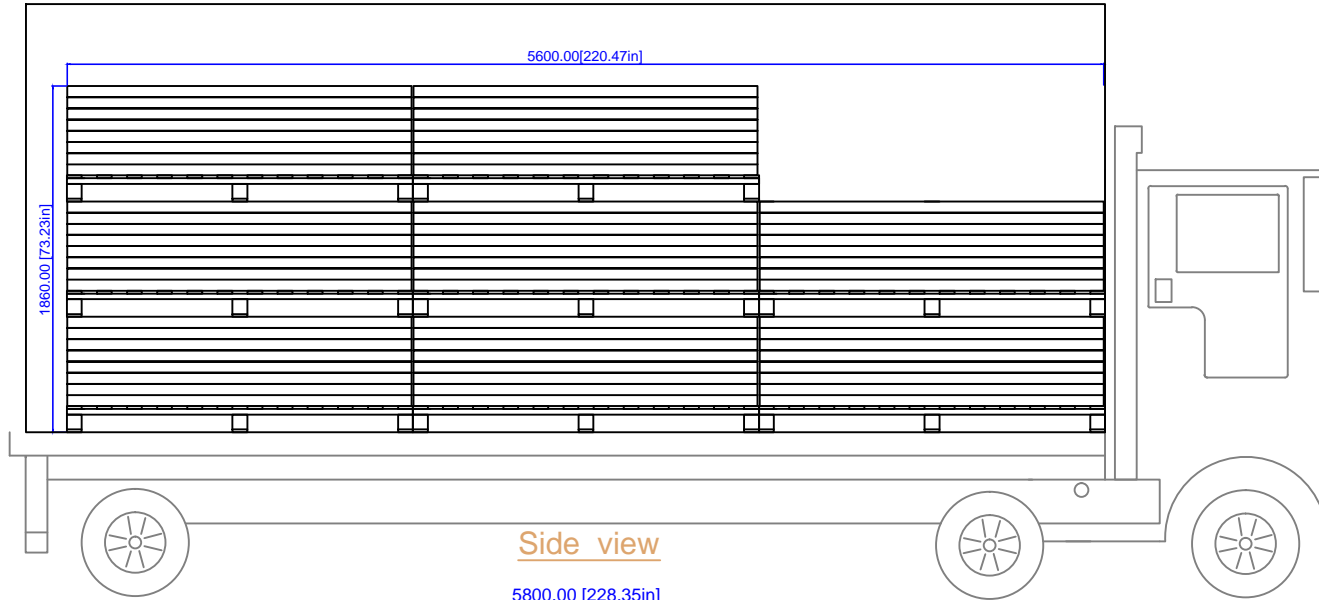
REVISED BY: Lina.L  
 REVISED DATE:  
 SAP-V:  
 dasso XTR

PAGE NO:



PRODUCT: XTR-SID18-137TG-PP 6" Siding : 18mm x 137mm  
 TITLE: 20' Container Loading—18 Pallet Max  
 DRAWN BY: Lina.L DATE: Jan 01, 2018 SCALE: 1:1 CONTACT: 1-404-691-6872  
 FILE: XTR-SID18-137TG-PP.DWG

Dimensions: Interior



Top view

REVISED BY: Lina.L  
 REVISED DATE:  
 SAP V:  
 dasso XTR

REVISION: [ ]  
 PAGE NO:



PRODUCT: XTR-SID18-137TG-PP 6" Siding : 18mm x 137mm  
 TITLE: 20' Container Loading—17 Pallet  
 DRAWN BY: Lina.L DATE: Jan 01, 2018 SCALE: 1:1 CONTACT: 1-404-691-6872  
 FILE: XTR-SID18-137TG-PP.DWG PRINTED:

Dimensions: Interior