

REVISED BY: Lina.L
REVISED DATE:

REVISE ON:

PAGE NO:

SAP V:

dasso XTR



PRODUCT: Wood Pallet Type 1120

TITLE: Wood Pallet Type 1120

DRAWN BY: Lina.L DATE: Jan 01, 2018

SCALE: 1:1

CONTACT: 1-404-691-6872

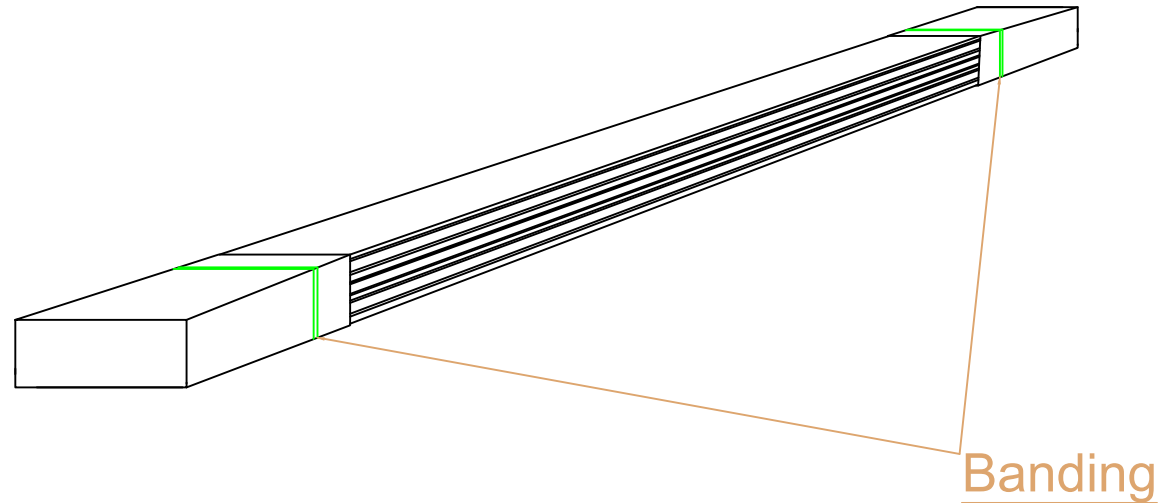
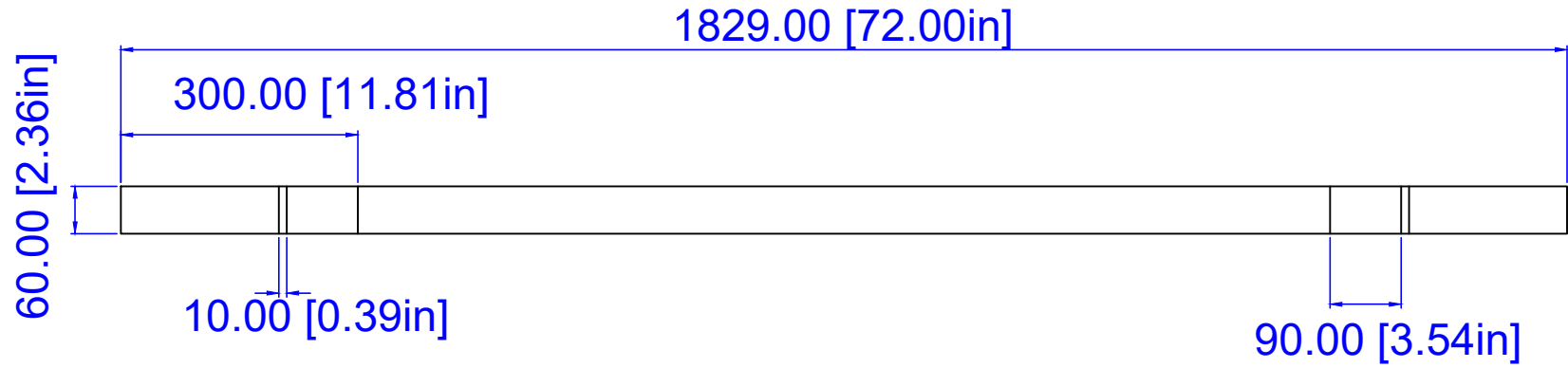
FILE: XXX-SID18-137TG-PP.DWG

PRINTED:

Thickness tolerance: ±1mm

Width tolerance: ±1mm

length tolerance: ±1mm



REVISED BY: Lina.L
 REVISED DATE:
 SAP V:
 dasso XTR

PAGE NO.:



PRODUCT: XXX-SID18-137TG-PP 6" Siding: 18mm x 137mm

TITLE: Bundle Dimension

DRAWN BY: Lina.L DATE: Jan 01, 2018 SCALE: 1:1 CONTACT: 1-404-691-6872

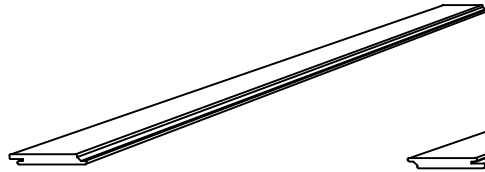
FILE: XXX-SID18-137TG-PP.DWG

PRINTED:

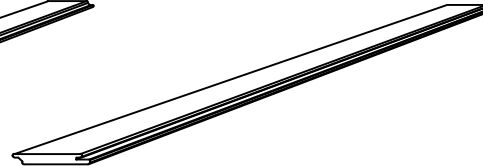
Thickness tolerance: ±0.2mm

Width tolerance: ±0.2mm

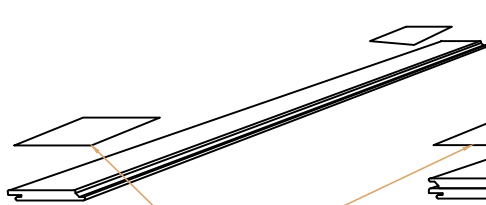
length tolerance: ±1mm



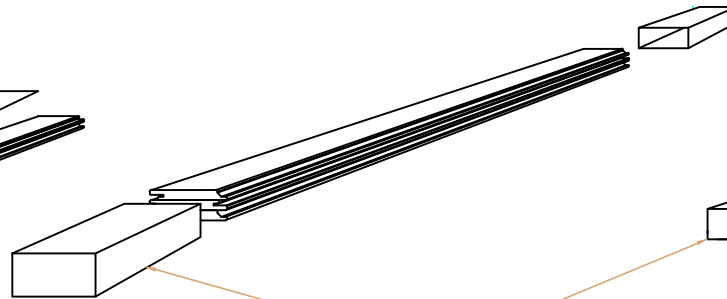
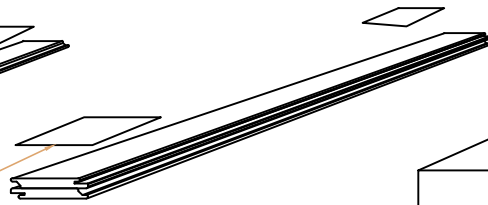
Front view



Back view



Place between each plank



Paper sleeves: place on each end of the bundle

REVISED BY: Lina.L
REVISED DATE:

REVISE ON:

PAGE NO:

SAP V:

dasso XTR



PRODUCT: XXX-SID18-137TG-PP 6" Siding : 18mm x 137mm

TITLE: Siding Bundle Package Layout

DRAWN BY: Lina.L DATE: Jan 01, 2018

SCALE: 1:1

CONTACT: 1-404-691-6872

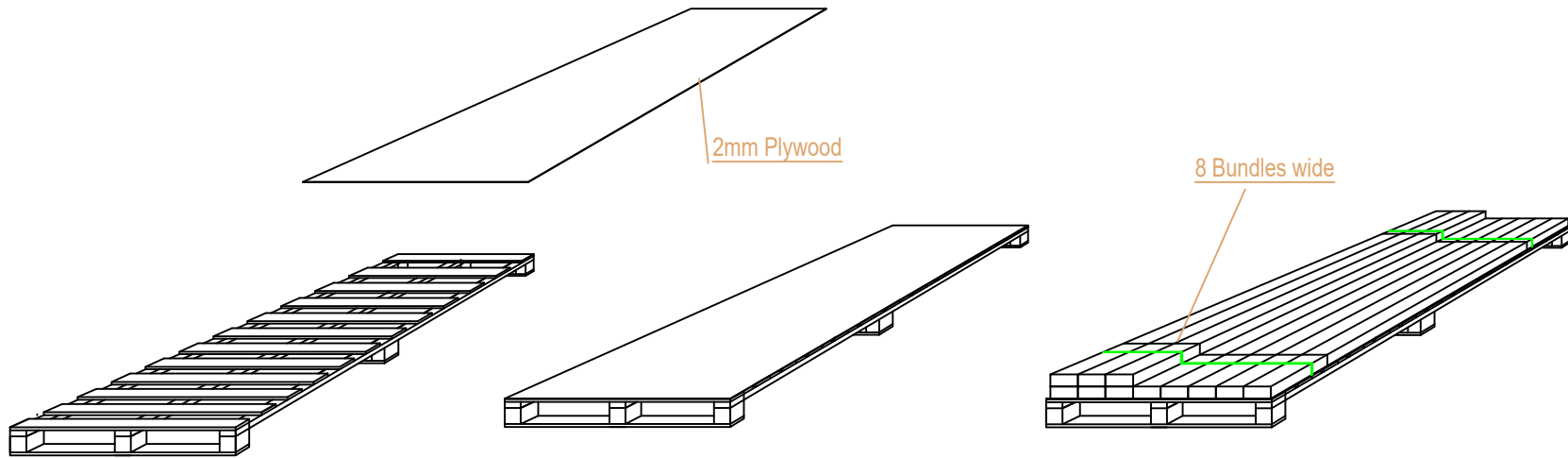
FILE: XXX-SID18-137TG-PP.DWG

PRINTED:

Thickness tolerance: ± 0.2 mm

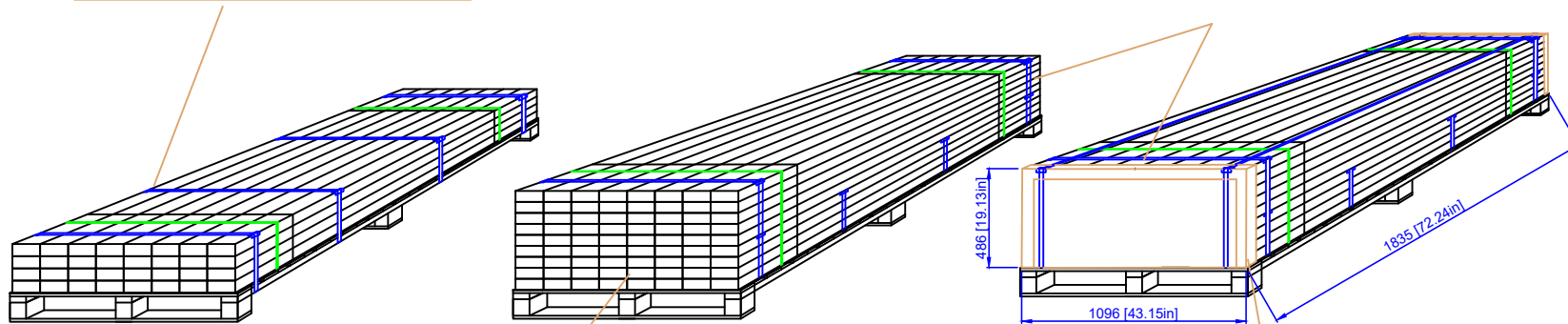
Width tolerance: ± 0.2 mm

length tolerance: ± 1 mm



There are 4 band in the middle of the pallet

There are 4 belts out of the pallet: before packaging the 4 belts, the wrap film is at least three layers and ensure full of the decking.



Layout: 8 rows x 9 layers

Corner guard on each corner

REVISED BY: Lina.L
REVISED DATE:

REVISE ON:

PAGE NO:

SAP V:

dasso XTR



PRODUCT: XXX-SID18-137TG-PP 6" Siding: 18mm x 137mm

TITLE: Pallet Layout

DRAWN BY: Lina.L DATE: Jan 01, 2018

SCALE: 1:1

CONTACT: 1-404-691-6872

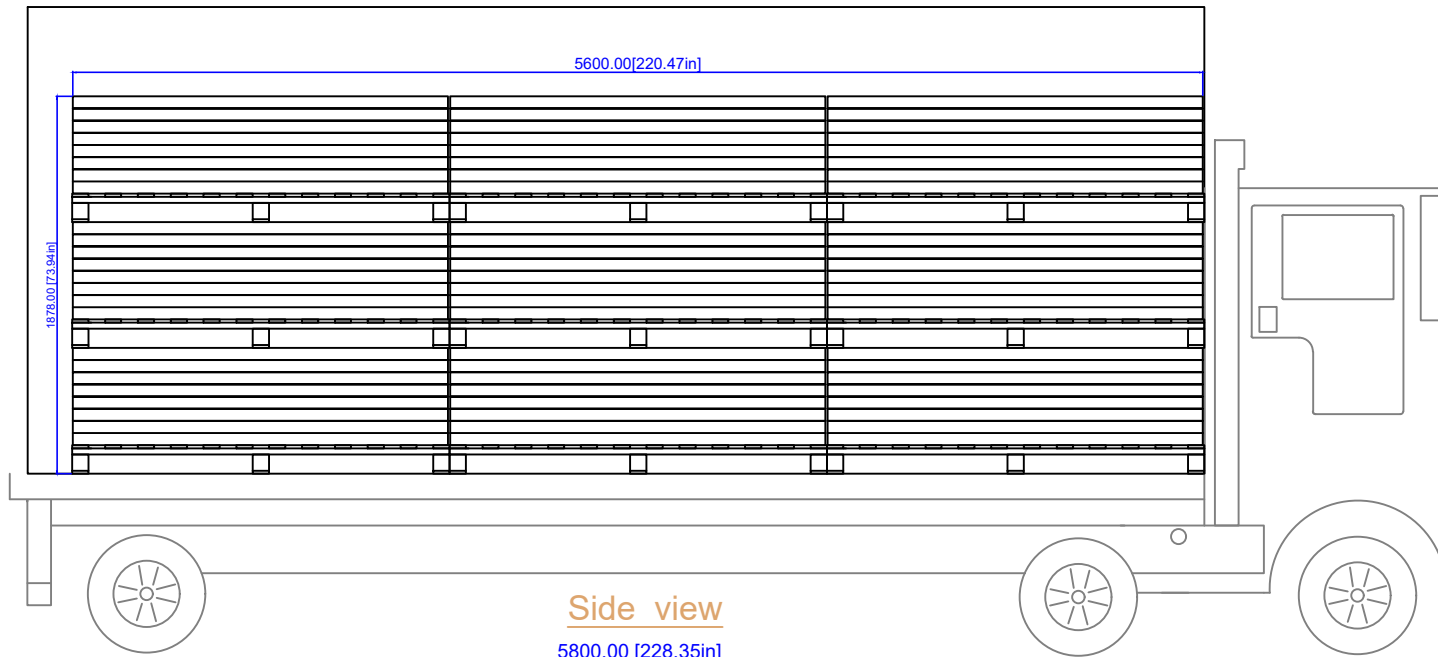
FILE: XXX-SID18-137TG-PP.DWG

PRINTED:

Thickness tolerance: ±1mm

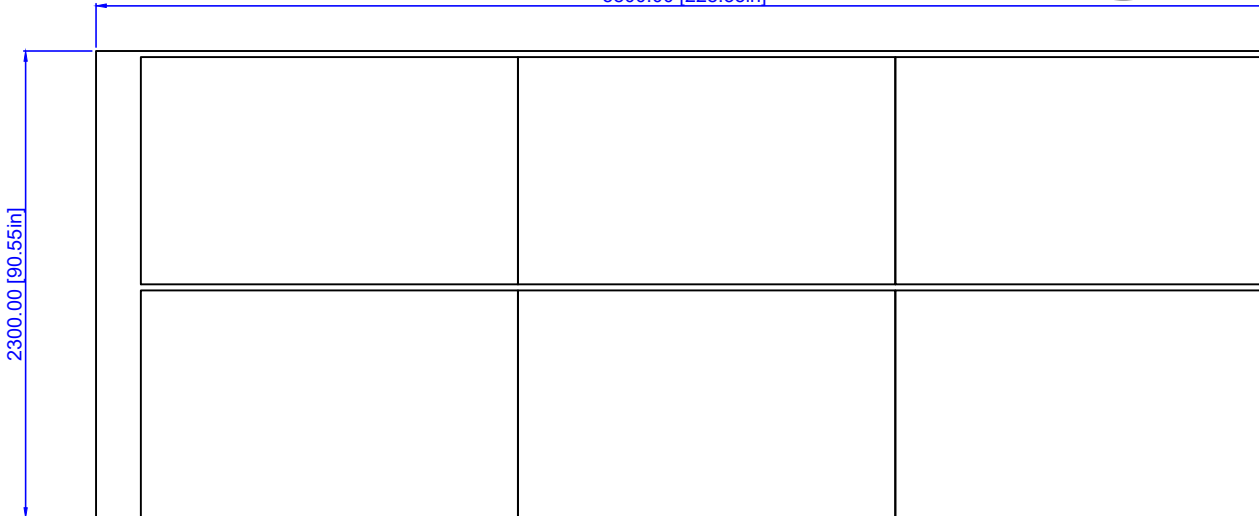
Width tolerance: ±1mm

length tolerance: ±1mm



Side view

5800.00 [228.35in]



Top view

REVISED BY: Lina.L
REVISED DATE:

REVISE ON:

PAGE NO:

SAP-V:

dasso XTR



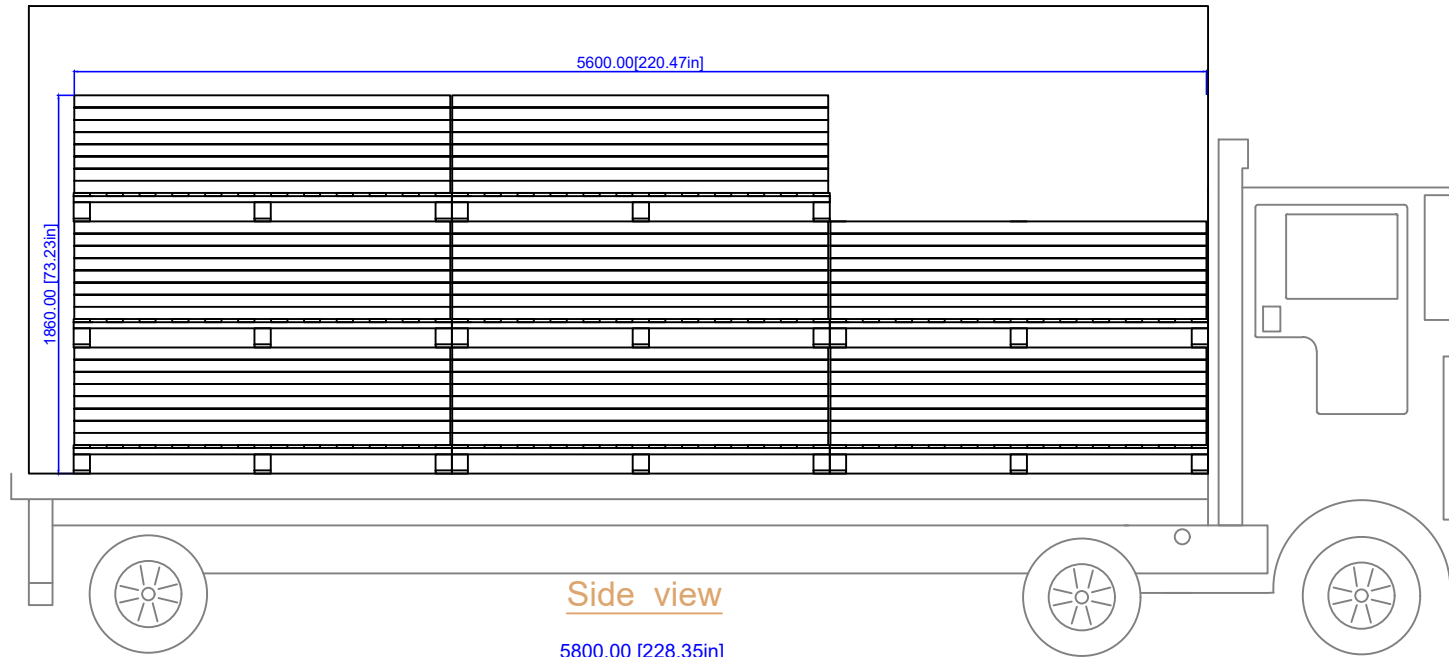
PRODUCT: XXX-SID18-137TG-PP 6" Siding: 18mm x 137mm

TITLE: 20' Container Loading—18 Pallet Max

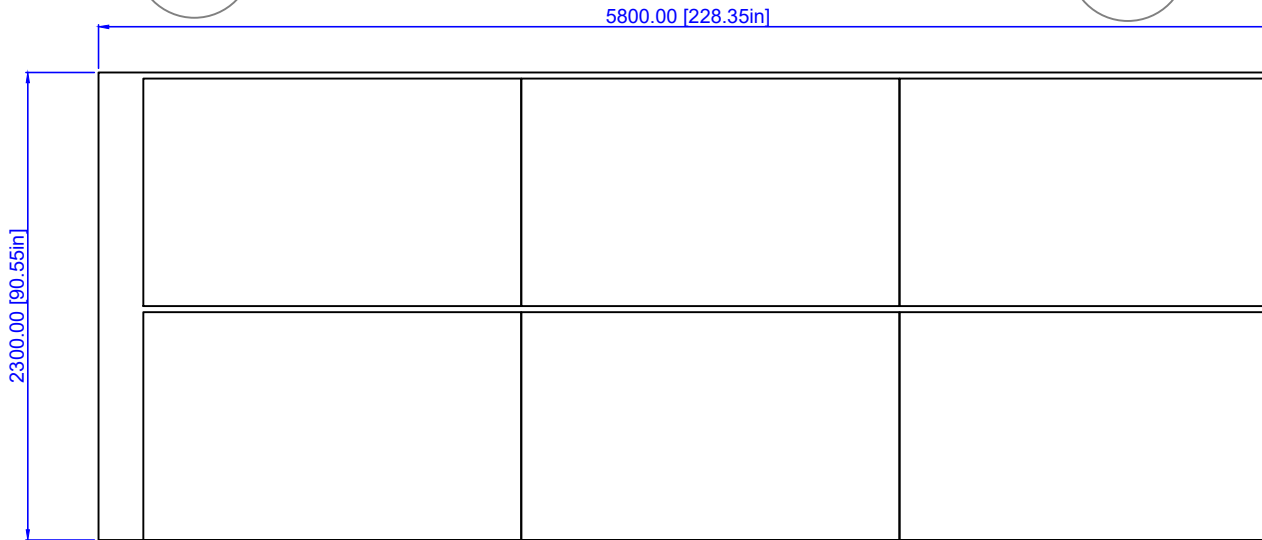
DRAWN BY: Lina.L DATE: Jan 01, 2018 SCALE: 1:1 CONTACT: 1-404-691-6872

FILE: XXX-SID18-137TG-PP.DWG

Dimensions: Interior



Side view



Top view

REVISED BY: Lina.L
 REVISED DATE:
 SAP V:
 dasso XTR

REVISE ON:
 PAGE NO:



PRODUCT: XXX-SID18-137TG-PP 6" Siding : 18mm x 137mm

TITLE: 20' Container Loading—17 Pallet

DRAWN BY: Lina.L DATE: Jan 01, 2018 SCALE: 1:1

FILE: XXX-SID18-137TG-PP.DWG

CONTACT: 1-404-691-6872

PRINTED:

Dimensions: Interior