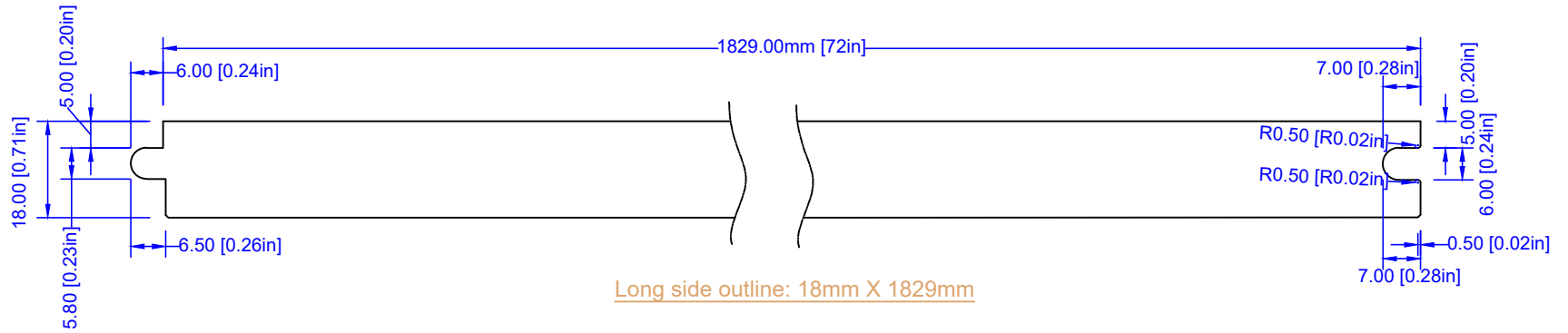


Short side outline: 18mm X 137mm



Long side outline: 18mm X 1829mm

Note: surface end heads need the right angle

REVISED BY: Lina.L
 REVISED DATE:
 SAP V:
 dasso XTR

REVISE ON:
 PAGE NO:



PRODUCT: XXX-SID18-137TG-PP 6" Siding: 18mm x 137mm

TITLE: Profile

DRAWN BY: Lina.L DATE: Jan 01, 2018

SCALE: 1:1

CONTACT: 1-404-691-6872

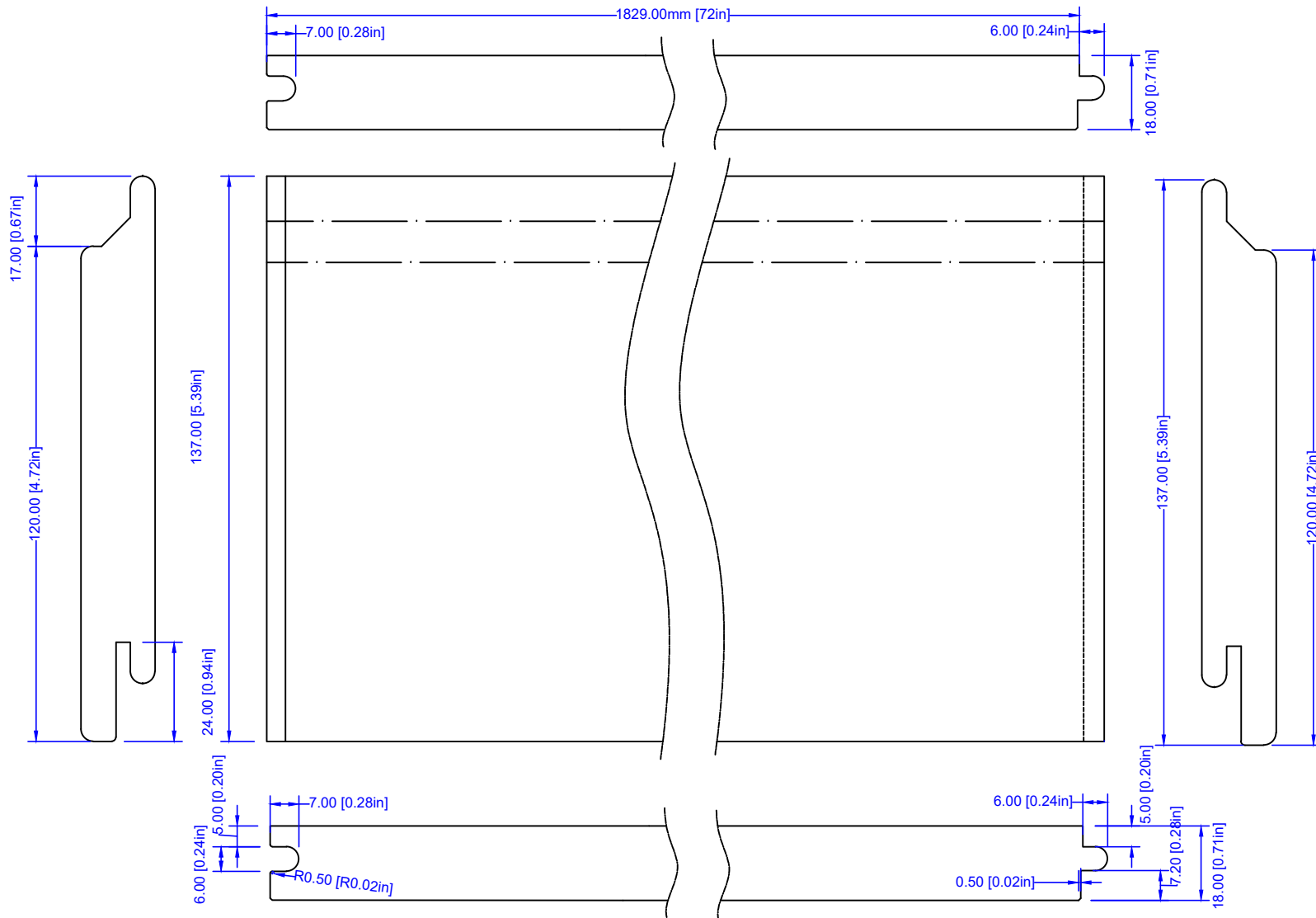
FILE:XXX-SID18-137TG-PP.DWG

PRINTED:

Thickness tolerance: ±0.2mm

Width tolerance: ±0.2mm

length tolerance: ±1mm



REVISED BY: Lina.L
REVISED DATE:

PAGE NO:



6060 Boat Rock Blvd SW
Atlanta, GA 30336
www.dassoxt.com
Tel: 1-404-691-6872

PRODUCT: XXX-SID18-137TG-PP 6" Siding: 18mm x 137mm

TITLE: Overview

DRAWN BY: Lina.L DATE: Jan 01, 2018 SCALE: 1:1 CONTACT: 1-404-691-6872

FILE: XXX-SID18-137TG-PP.DWG

Thickness tolerance: $\pm 0.2\text{mm}$

Width tolerance: $\pm 0.2\text{mm}$

length tolerance: $\pm 1\text{mm}$

SAP V:

dasso XTR

PRINTED: