

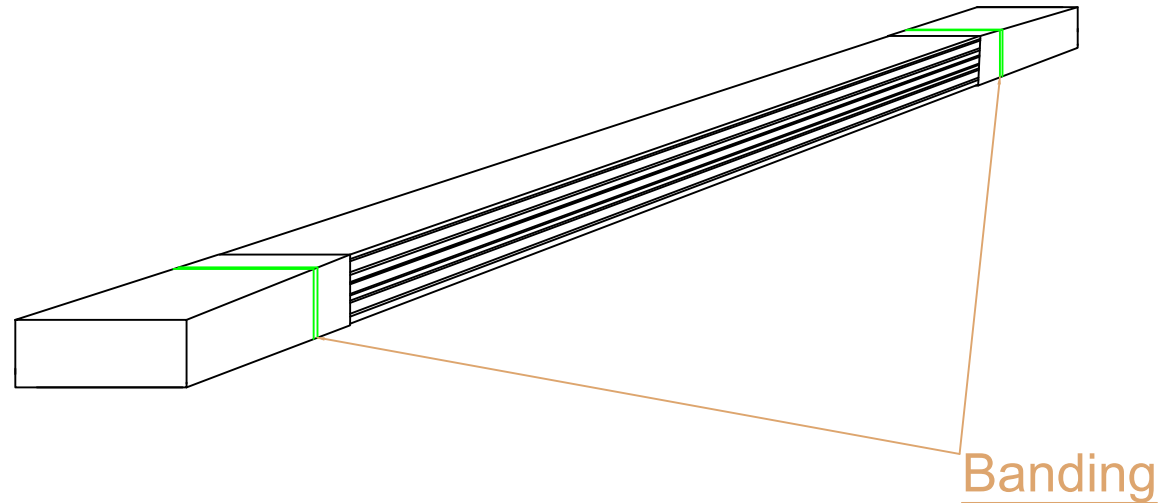
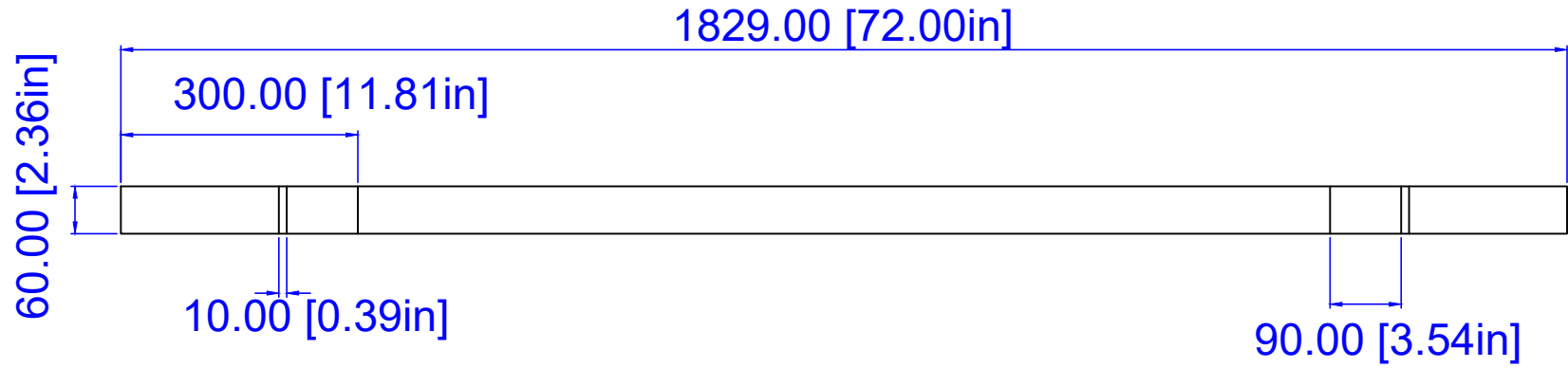
REVISED BY: Lina.L
 REVISOR: Lina.L
 REVISED DATE:
 SAP V:
 dasso XTR

PAGE NO:



PRODUCT: Wood Pallet Type 1120
 TITLE: Wood Pallet Type 1120
 DRAWN BY: Lina.L DATE: Jan 01, 2018 SCALE: 1:1 CONTACT: 1-404-691-6872
 FILE: XXX-SID18-178TG-PP.DWG PRINTED:

Thickness tolerance: ±1mm
 Width tolerance: ±1mm
 length tolerance: ±1mm



REVISED BY: Lina.L
 REVISED DATE:
 SAP V:
 dasso XTR

PAGE NO.:



PRODUCT: XXX-SID18-178TG-PP 7" Siding: 18mm x 178mm

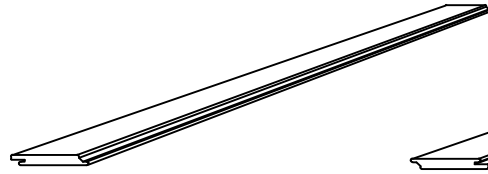
TITLE: Bundle Dimension

DRAWN BY: Lina.L DATE: Jan 01, 2018 SCALE: 1:1 CONTACT: 1-404-691-6872

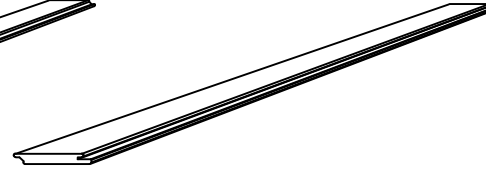
FILE: XXX-SID18-178TG-PP.DWG

PRINTED:

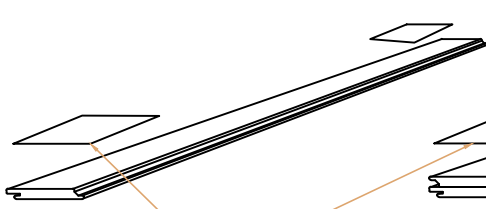
Thickness tolerance: ±0.2mm
 Width tolerance: ±0.2mm
 length tolerance: ±1mm



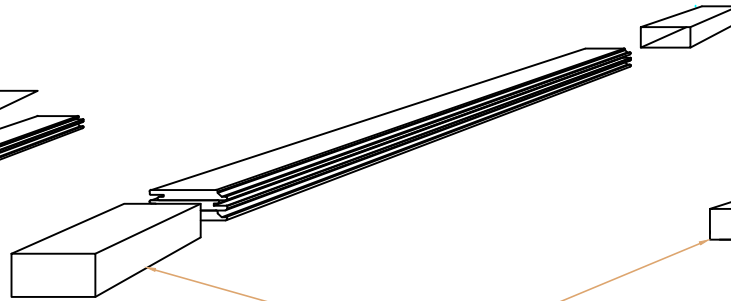
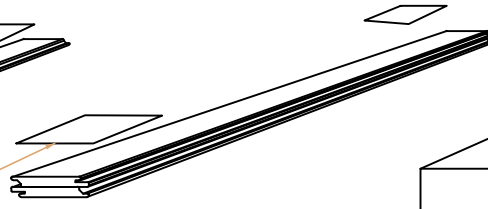
Front view



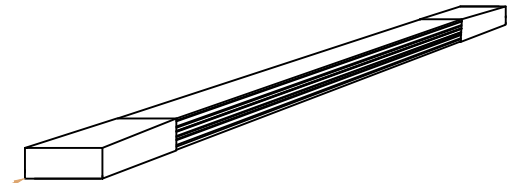
Back view



Place between each plank



Paper sleeves: place on each end of the bundle



REVISED BY: Lina.L	REVISE ON:
REVISED DATE:	
SAP-V:	
dasso XTR	

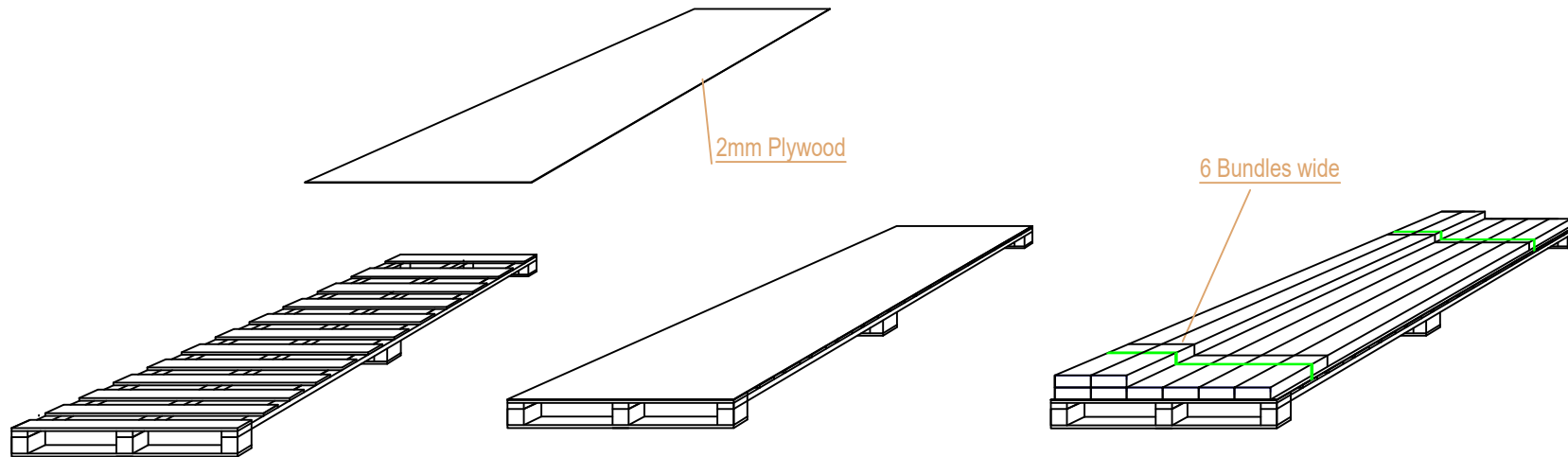
PAGE NO.:



dassoXTR
Fused Bamboo® for Exterior Use
6060 Boat Rock Blvd SW
Atlanta, GA 30336
www.dassoxtr.com
Tel: 1-404-691-6872

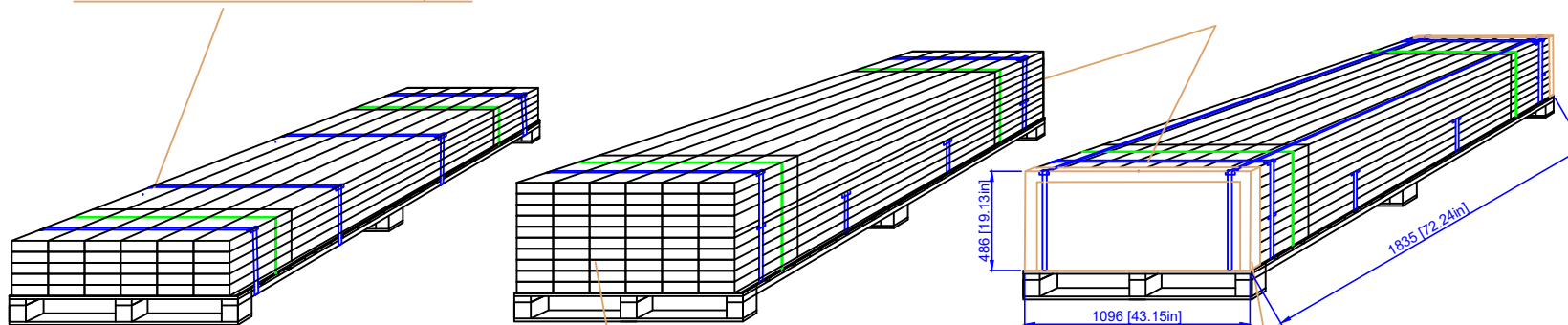
PRODUCT: XXX-SID18-178TG-PP 7" Siding: 18mm x 178mm			
TITLE: Siding Bundle Package Layout			
DRAWN BY: Lina.L	DATE: Jan 01, 2018	SCALE: 1:1	CONTACT: 1-404-691-6872
FILE: XXX-SID18-178TG-PP.DWG		PRINTED:	

Thickness tolerance: ±0.2mm
Width tolerance: ±0.2mm
length tolerance: ±1mm



There are 4 band in the middle of the pallet

There are 4 belts out of the pallet: before packaging the 4 belts, the wrap film is at least three layers and ensure full of the decking.



Layout: 6 rows x 10 layers

Corner guard on each corner

REVISED BY: Lina.L
REVISED DATE:

REVISE ON:

PAGE NO:

SAP V:

dasso XTR



PRODUCT: XXX-SID18-178TG-PP 7" Siding: 18mm x 178mm

TITLE: Pallet Layout

DRAWN BY: Lina.L DATE: Jan 01, 2018

SCALE: 1:1

CONTACT: 1-404-691-6872

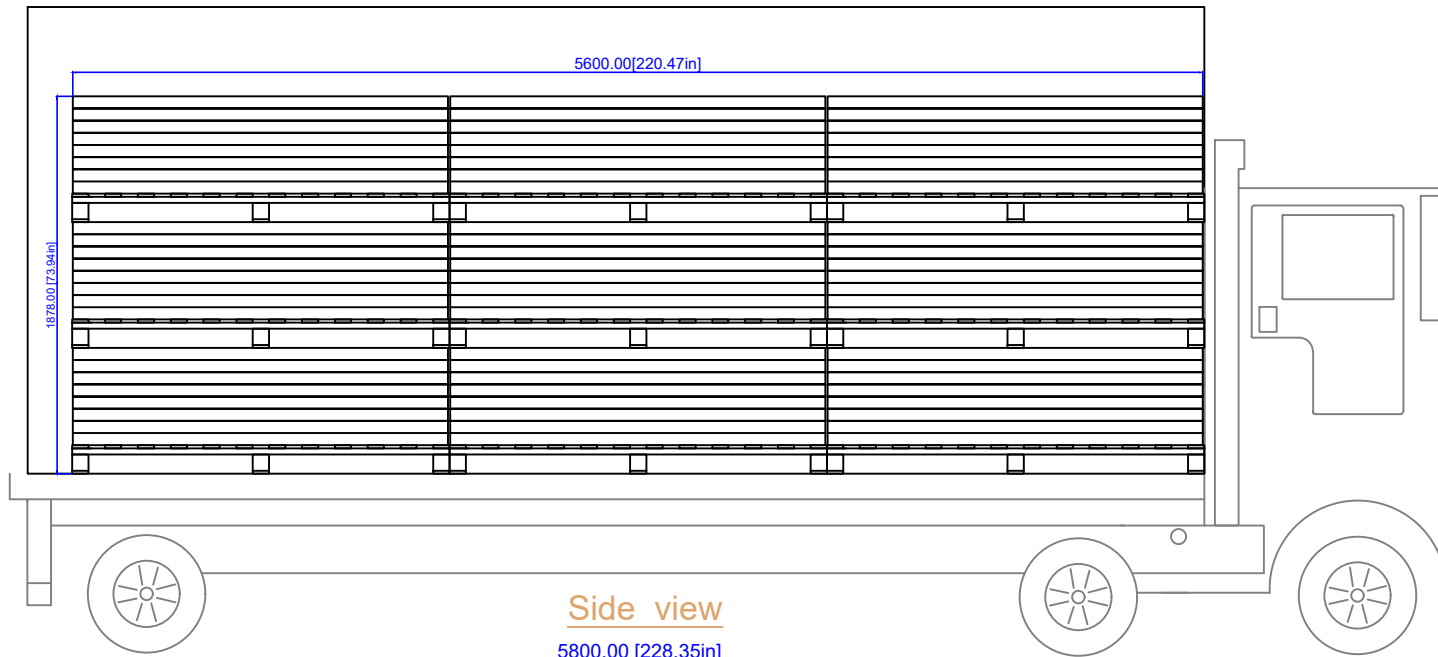
FILE: XXX-SID18-178TG-PP.DWG

PRINTED:

Thickness tolerance: ±1mm

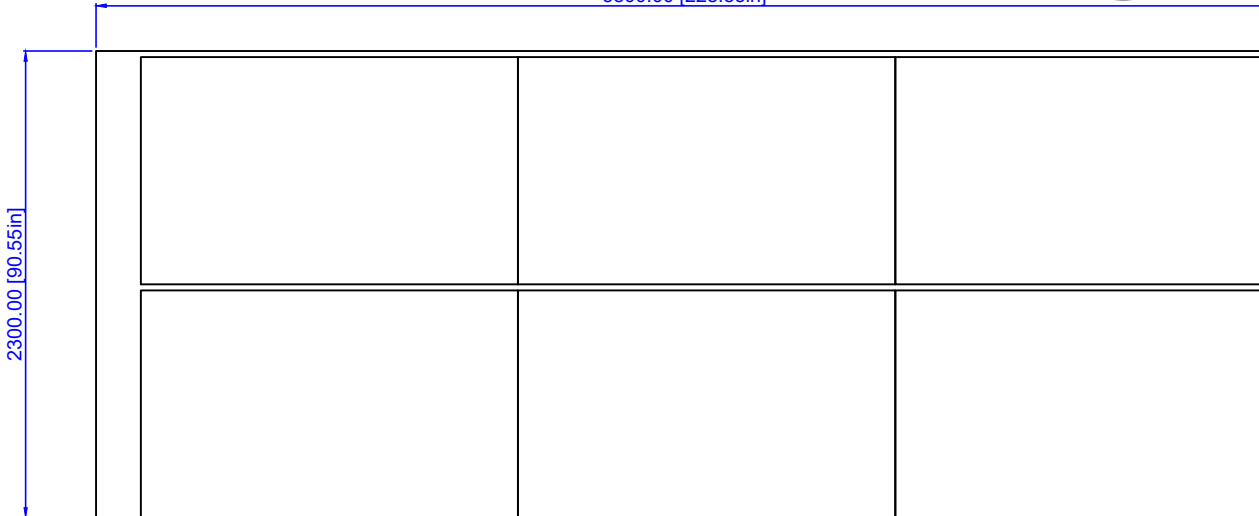
Width tolerance: ±1mm

length tolerance: ±1mm



Side view

5800.00 [228.35in]



Top view

REVISED BY: Lina.L
REVISED DATE:

REVISE ON:

PAGE NO:

SAP-V:

dasso XTR



PRODUCT: XXX-SID18-178TG-PP 7" Siding: 18mm x 178mm

TITLE: 20' Container Loading—18 Pallet Max

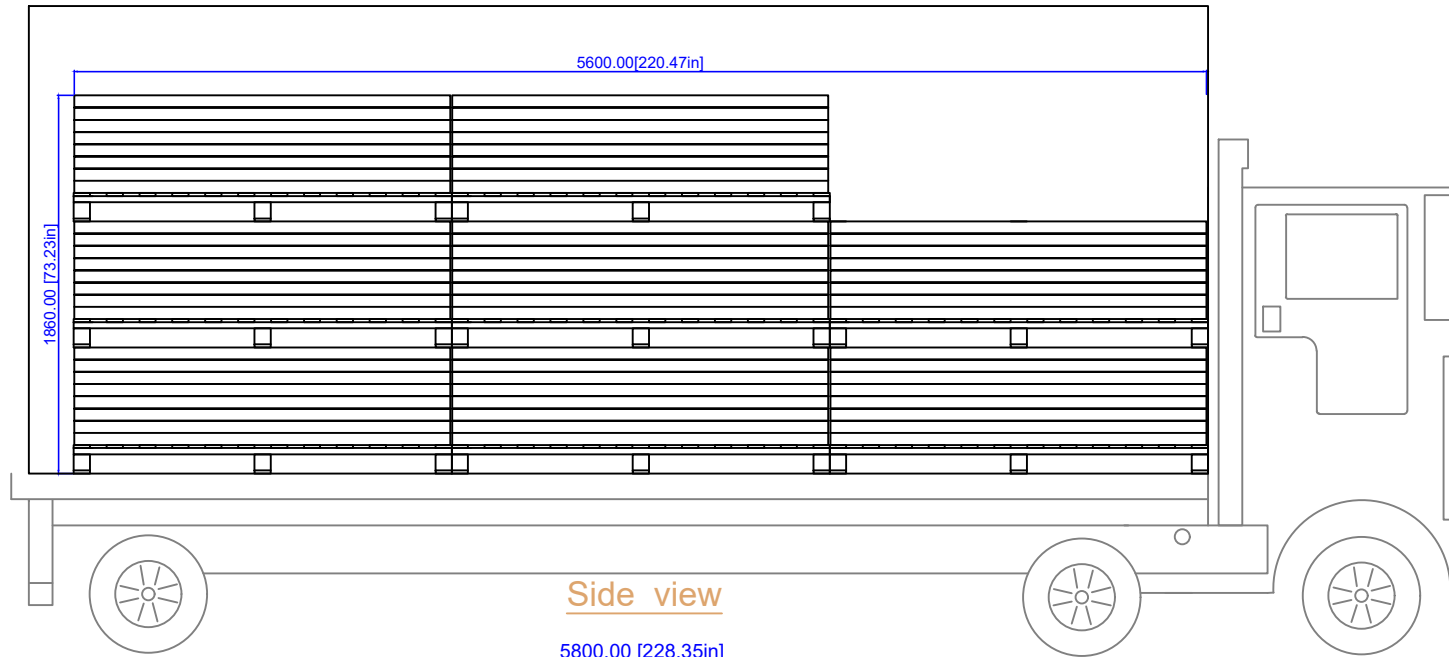
DRAWN BY: Lina.L DATE: Jan 01, 2018 SCALE: 1:1

FILE: XXX-SID18-178TG-PP.DWG

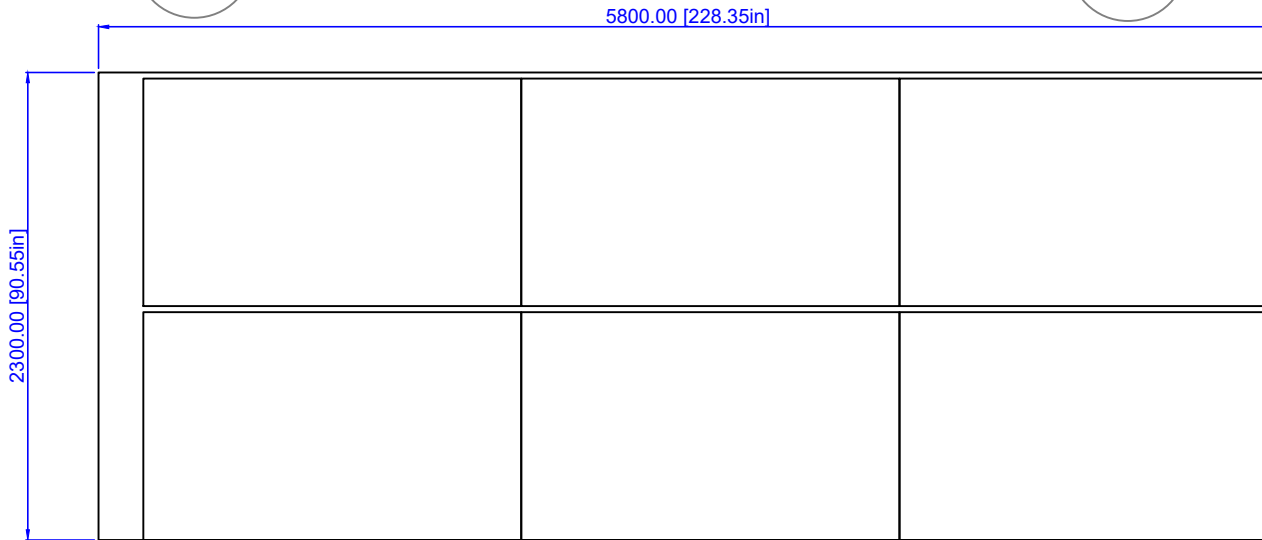
CONTACT: 1-404-691-6872

PRINTED:

Dimensions: Interior



Side view



Top view

REVISED BY: Lina.L
 REVISED DATE:
 SAP V:
 dasso XTR

REVISE ON:
 PAGE NO:



PRODUCT: XXX-SID18-178TG-PP 7" Siding : 18mm x 178mm
 TITLE: 20' Container Loading—17 Pallet
 DRAWN BY: Lina.L DATE: Jan 01, 2018 SCALE: 1:1 CONTACT: 1-404-691-6872
 FILE: XXX-SID18-178TG-PP.DWG PRINTED:

Dimensions: Interior