

REVISED BY: Lina.L
 REVISED DATE:

REVISE ON:

PAGE NO.:

SAP V.:

dasso XTR



6060 Boat Rock Blvd SW
 Atlanta, GA 30336
 www.dassoxt.com
 Tel: 1-404-691-6872

PRODUCT: EPC-SOF12-100TG-PP

TITLE: First Soffit Installation

DRAWN BY: Lina.L DATE: Jan 01, 2018

SCALE: 1:1

CONTACT: 1-404-691-6872

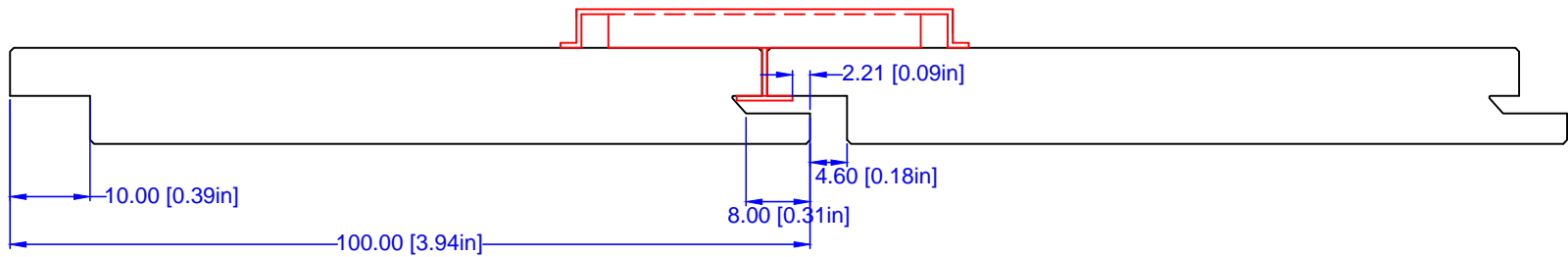
FILE: EPC-SOF12-100TG-PP.dwg

PRINTED:

Thickness tolerance: ±0.2mm

Width tolerance: ±0.2mm

length tolerance: ±1mm



REVISED BY: Lina.L
REVISED DATE:

REVISE ON:

PAGE NO.:

SAP V.:

dasso XTR

dassoXTR
Fused Bamboo® for Exterior Use

6060 Boat Rock Blvd SW
Atlanta, GA 30336
www.dassoxt.com
Tel: 1-404-691-6872

PRODUCT: EPC-SOF12-100TG-PP

TITLE: Short Side Installation

DRAWN BY: Lina.L DATE: Jan 01, 2018

SCALE: 1:1

CONTACT: 1-404-691-6872

FILE: EPC-SOF12-100TG-PP.dwg

PRINTED:

Thickness tolerance: ±0.2mm

Width tolerance: ±0.2mm

length tolerance: ±1mm

First Soffit

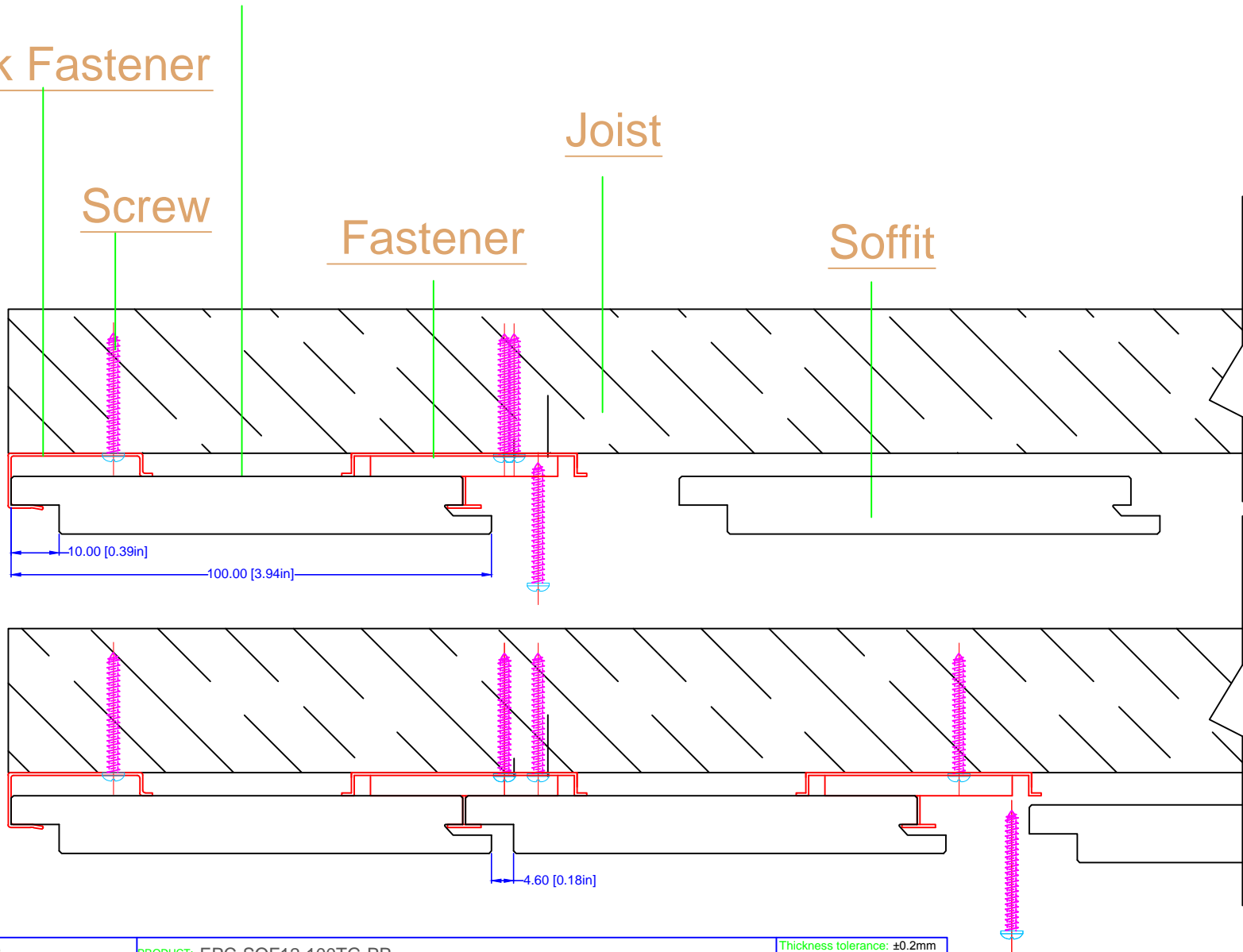
Overlock Fastener

Screw

Fastener

Joist

Soffit



REVISED BY: Lina.L
REVISED DATE:

REVISE ON:

PAGE NO.:

SAP V.:

dasso XTR

dassoXTR
Fused Bamboo® for Exterior Use

6060 Boat Rock Blvd SW
Atlanta, GA 30336
www.dassoxt.com
Tel: 1-404-691-6872

PRODUCT: EPC-SOF12-100TG-PP

TITLE: Soffit Installation

DRAWN BY: Lina.L DATE: Jan 01, 2018

SCALE: 1:1

CONTACT: 1-404-691-6872

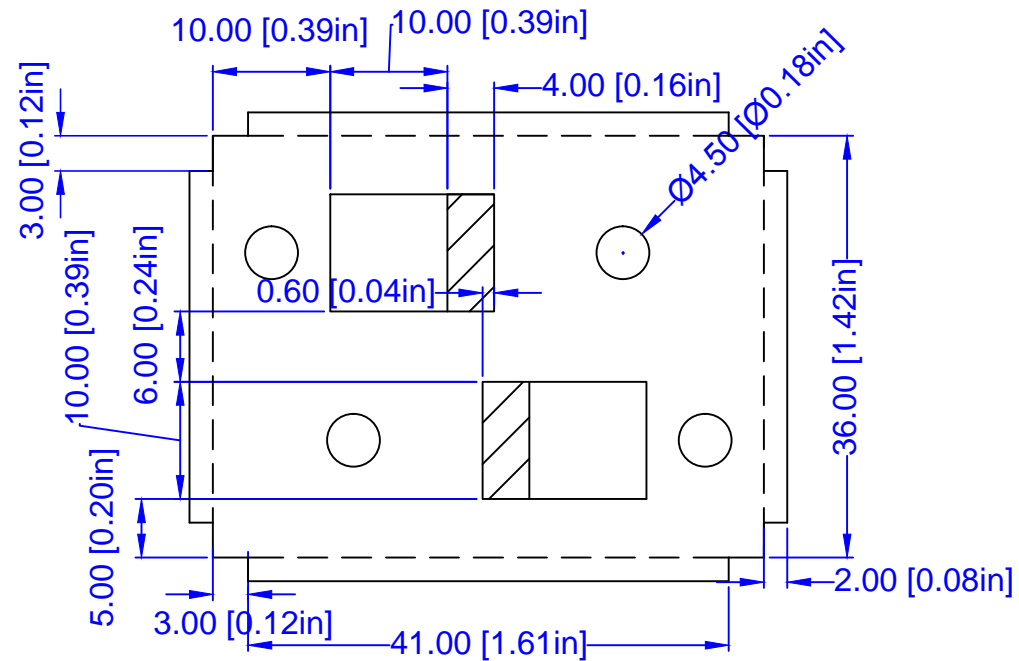
FILE: EPC-SOF12-100TG-PP.dwg

PRINTED:

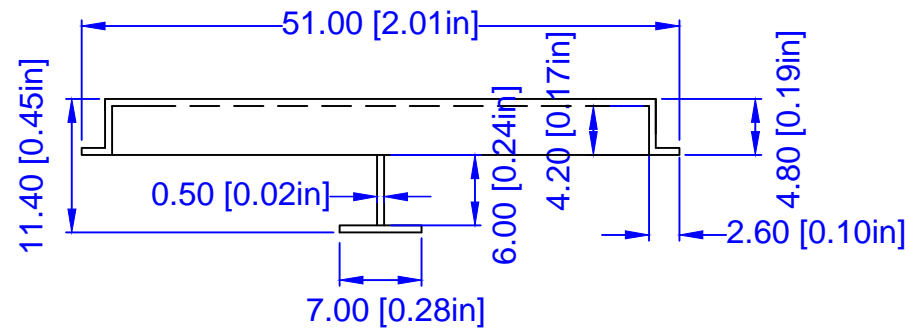
Thickness tolerance: ±0.2mm

Width tolerance: ±0.2mm

length tolerance: ±1mm



Top View: 47mm X 36mm
Radius is R0.5mm



Front View: 47mm X 12mm

REVISED BY: Lina.L
 REVISED DATE:
 SAP V:
 dasso XTR

PAGE NO.:

dassoXTR
 Fused Bamboo® for Exterior Use
 6060 Boat Rock Blvd SW
 Atlanta, GA 30336
 www.dassoXTR.com
 Tel: 1-404-691-6872

PRODUCT: EPC-SOF12-100TG-PP

TITLE: The field clip

DRAWN BY: Lina.L DATE: Jan 01, 2018

SCALE: 1:1

CONTACT: 1-404-691-6872

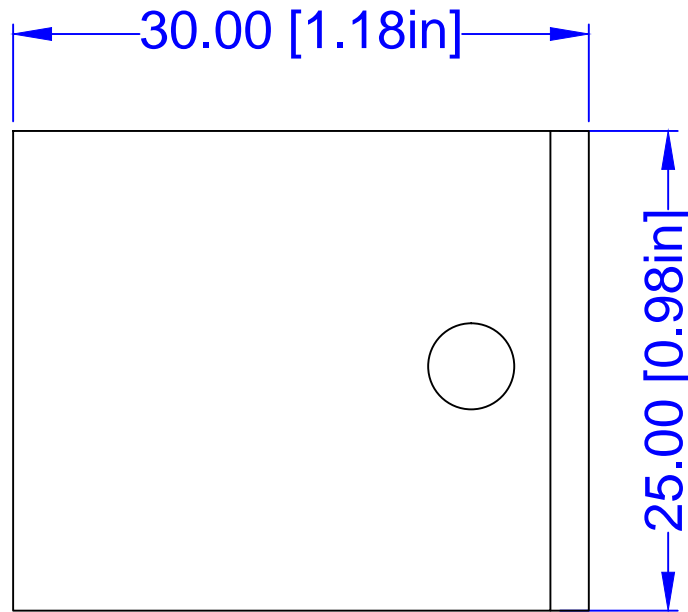
FILE: EPC-SOF12-100TG-PP.dwg

PRINTED:

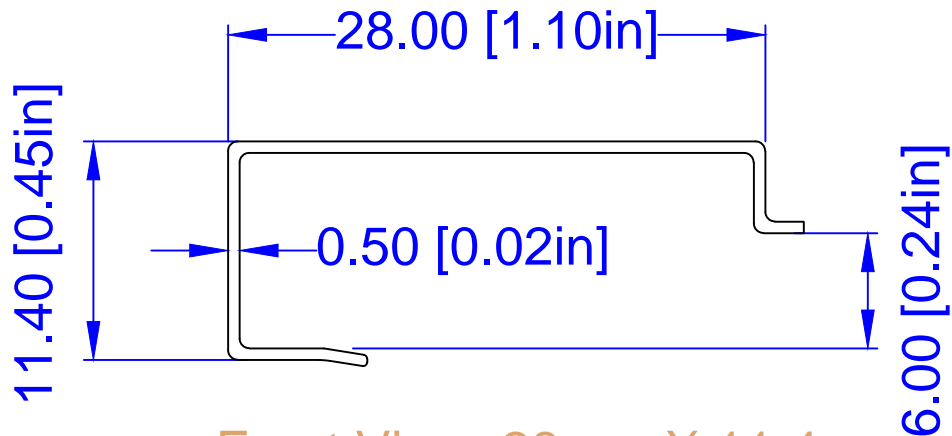
Thickness tolerance: ±0.2mm

Width tolerance: ±0.2mm


length tolerance: ±1mm

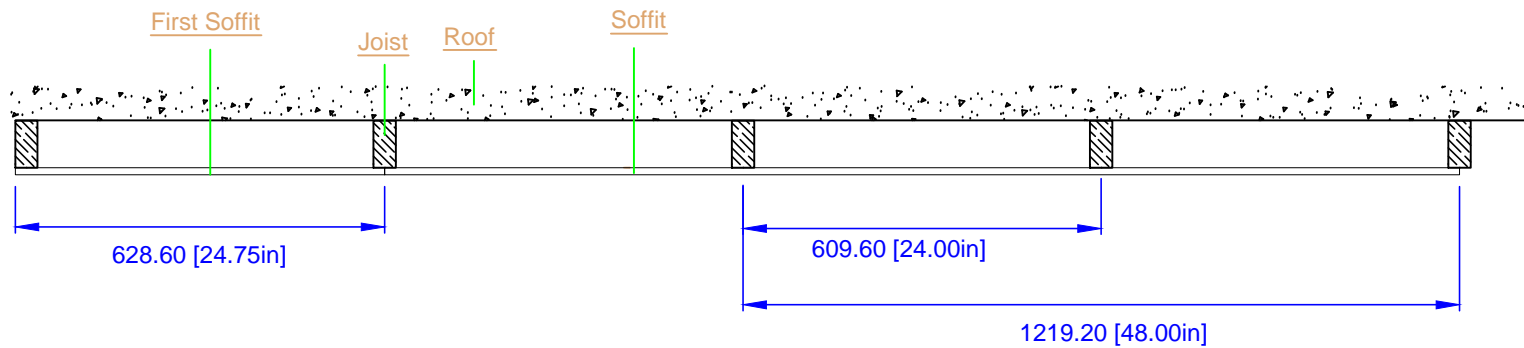


Top View: 30mm X 25mm

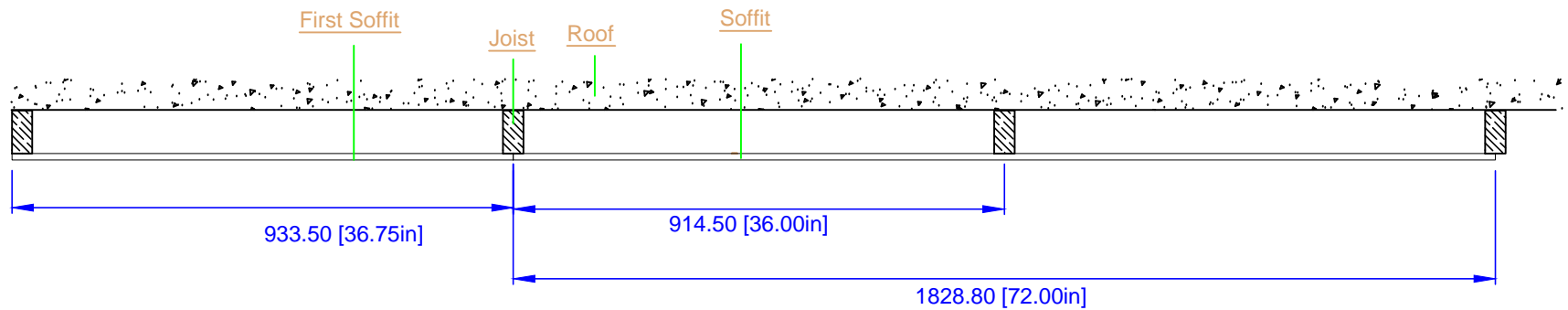


Front View: 28mm X 11.4mm

REVISIONS: Lina.L REVISED DATE:	REVISION ON: 	PAGE NO.:	 dassoXTR <i>Fused Bamboo® for Exterior Use</i> 6060 Boat Rock Blvd SW Atlanta, GA 30336 www.dassoxt.com Tel: 1-404-691-6872	PRODUCT: EPC-SOF12-100TG-PP TITLE: The starter clip DRAWN BY: Lina.L DATE: Jan 01, 2018 SCALE: 1:1 CONTACT: 1-404-691-6872 FILE: EPC-SOF12-100TG-PP.dwg	Thickness tolerance: ±0.2mm Width tolerance: ±0.2mm length tolerance: ±1mm
dasso XTR			PRINTED:		



24" center to center



36" center to center

REVISED BY: Lina.L
REVISED DATE:

REVISE ON:

PAGE NO.:

SAP V.:

dasso XTR

dassoXTR
Fused Bamboo® for Exterior Use

6060 Boat Rock Blvd SW
Atlanta, GA 30336
www.dassoxt.com
Tel: 1-404-691-6872

PRODUCT: EPC-SOF12-100TG-PP

TITLE: Joist Spacing

DRAWN BY: Lina.L DATE: Jan 01, 2018

SCALE: 1:1

CONTACT: 1-404-691-6872

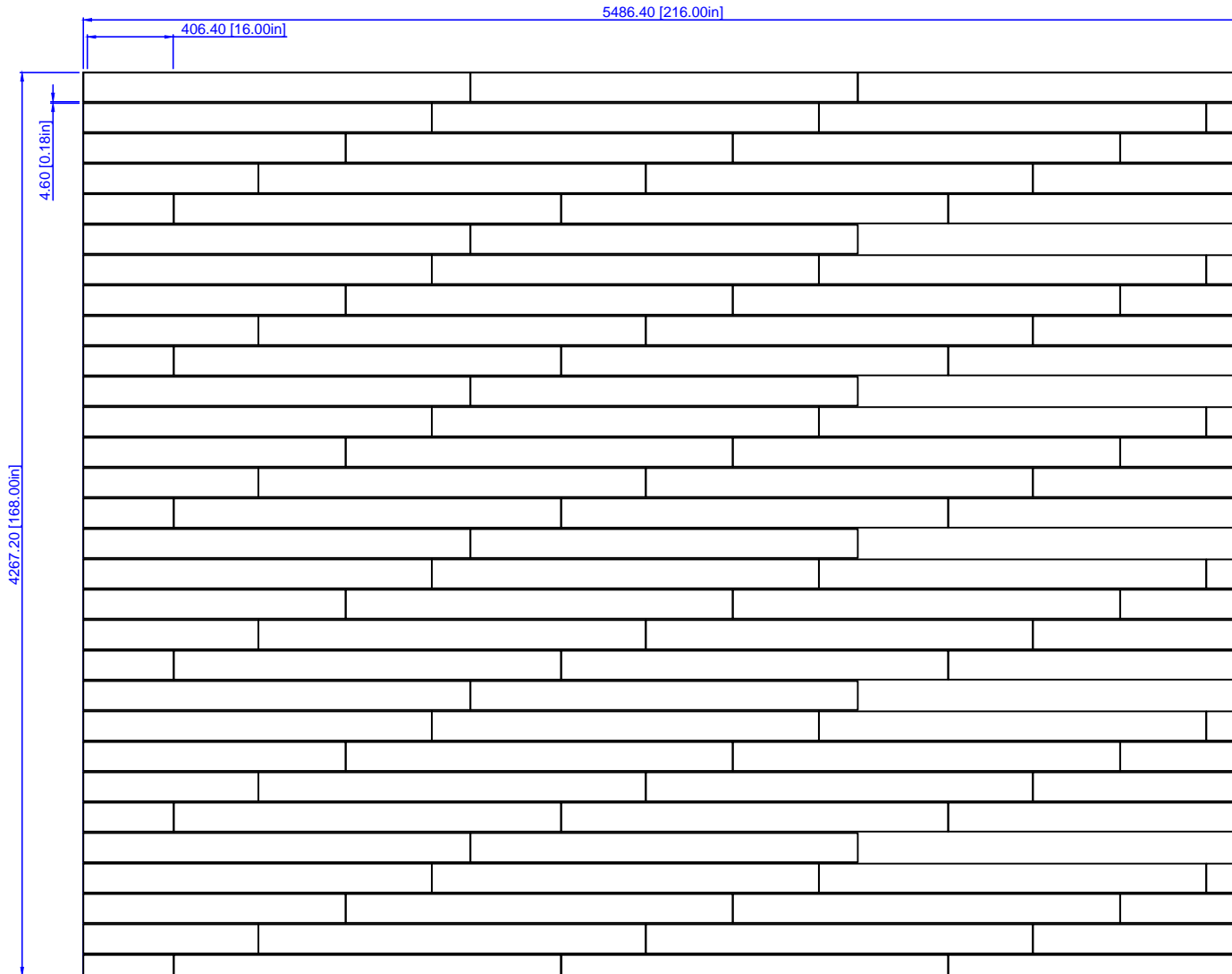
FILE: EPC-SOF12-100TG-PP.dwg

PRINTED:

Thickness tolerance: ±0.2mm

Width tolerance: ±0.2mm

length tolerance: ±1mm



REVISED BY: Lina.L
REVISED DATE:

REVISE ON:

PAGE NO:

SAP V:

dasso XTR



6060 Boat Rock Blvd SW
Atlanta, GA 30336
www.dassoxt.com
Tel: 1-404-691-6872

PRODUCT: EPC-SOF12-100TG-PP

TITLE: Random

DRAWN BY: Lina.L DATE: Jan 01, 2018

SCALE: 1:1

CONTACT: 1-404-691-6872

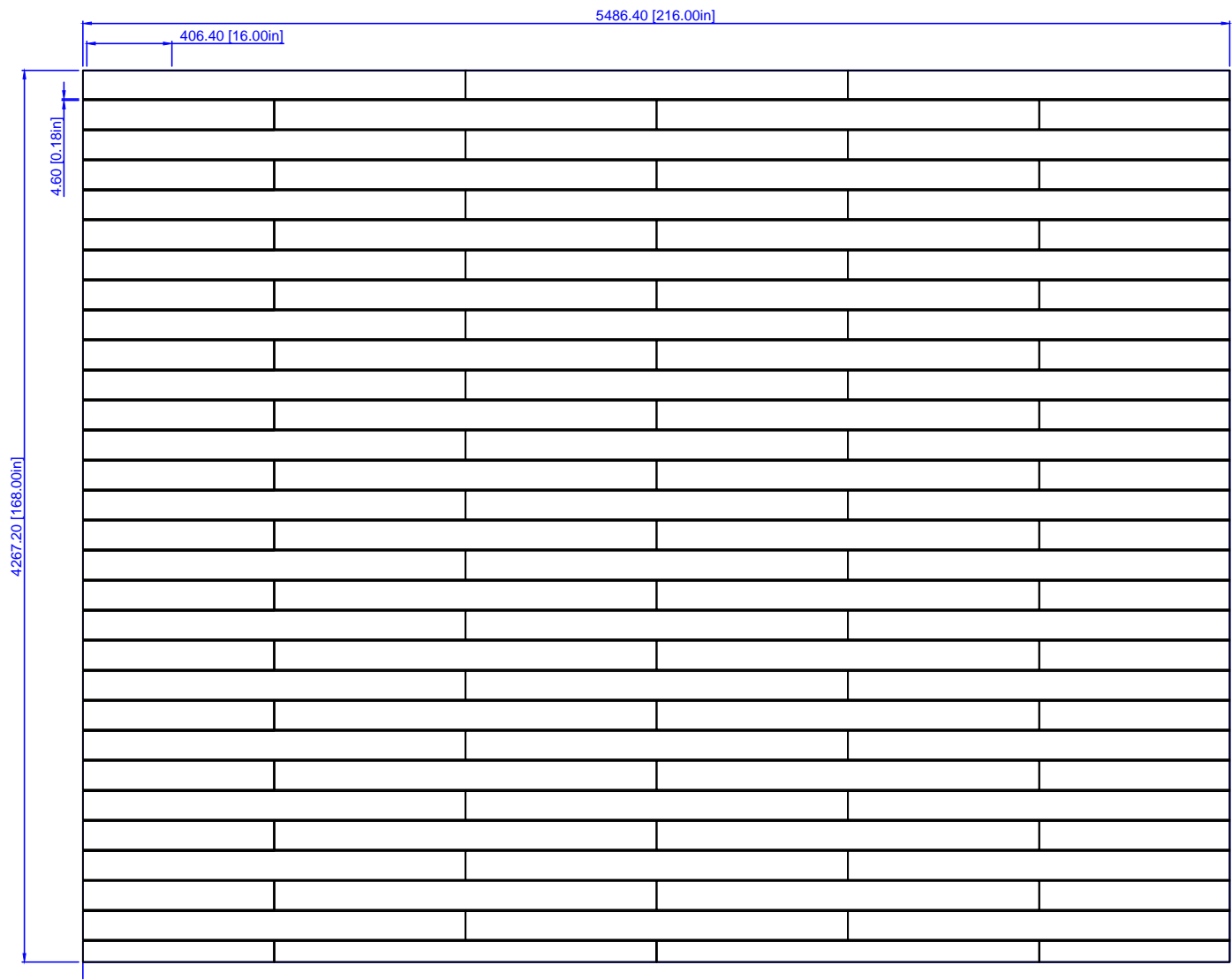
FILE: EPC-SOF12-100TG-PP.dwg

PRINTED:

Thickness tolerance: ±0.2mm

Width tolerance: ±0.2mm

length tolerance: ±1mm



REVISED BY: Lina.L
 REVISED DATE:
 SAP V:
 dasso XTR

REVISION: _____
 PAGE NO: _____



PRODUCT: EPC-SOF12-100TG-PP
 TITLE: Staggered
 DRAWN BY: Lina.L DATE: Jan 01, 2018 SCALE: 1:1 CONTACT: 1-404-691-6872
 FILE: EPC-SOF12-100TG-PP.dwg PRINTED:

Thickness tolerance: ±0.2mm
 Width tolerance: ±0.2mm
 length tolerance: ±1mm