

REVISED BY: Lina.L
REVISED DATE:

REVISE ON:

PAGE NO.:

SAP V.:

dasso XTR

dassoXTR
Fused Bamboo® for Exterior Use

6060 Boat Rock Blvd SW
Atlanta, GA 30336
www.dassoxt.com
Tel: 1-404-691-6872

PRODUCT: EPC-SOF12-100TG-PP

TITLE: Wood Pallet Type 1120

DRAWN BY: Lina.L DATE: Jan 01, 2018

SCALE: 1:1

CONTACT: 1-404-691-6872

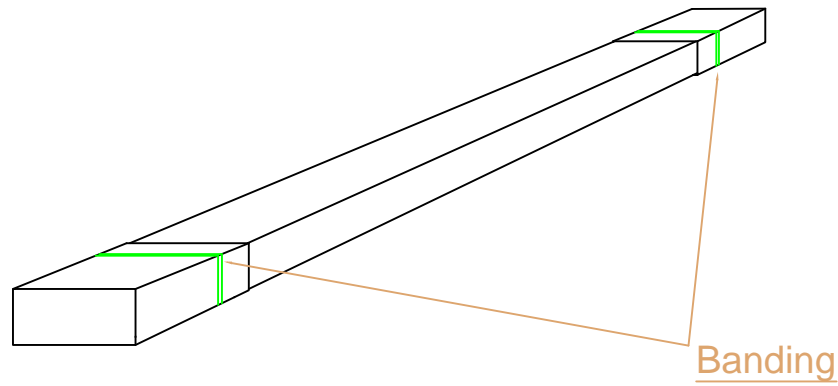
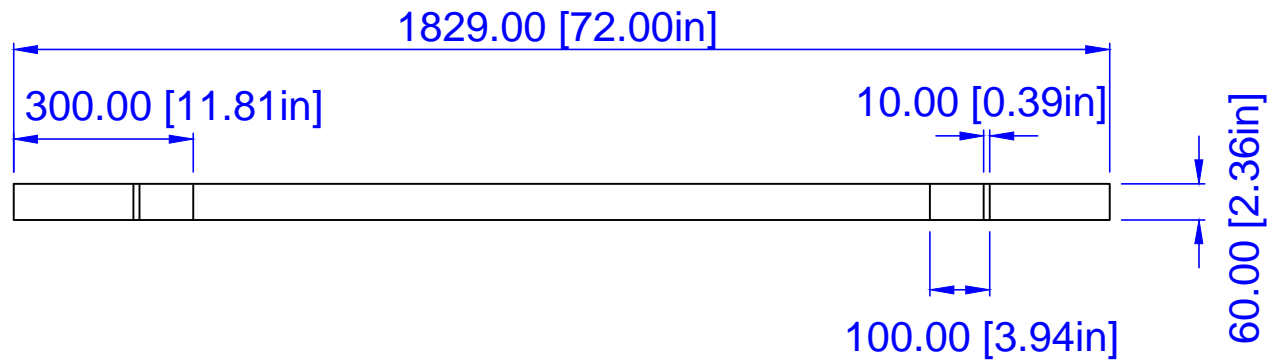
FILE: EPC-SOF12-100TG-PP.dwg

PRINTED:

Thickness tolerance: ±0.2mm

Width tolerance: ±0.2mm

length tolerance: ±1mm



REVISED BY: Lina.L
REVISED DATE:

REVISE ON:

PAGE NO.:

SAP V.:

dasso XTR



PRODUCT: EPC-SOF12-100TG-PP

TITLE: Bundle Dimension

DRAWN BY: Lina.L DATE: Jan 01, 2018

SCALE: 1:1

CONTACT: 1-404-691-6872

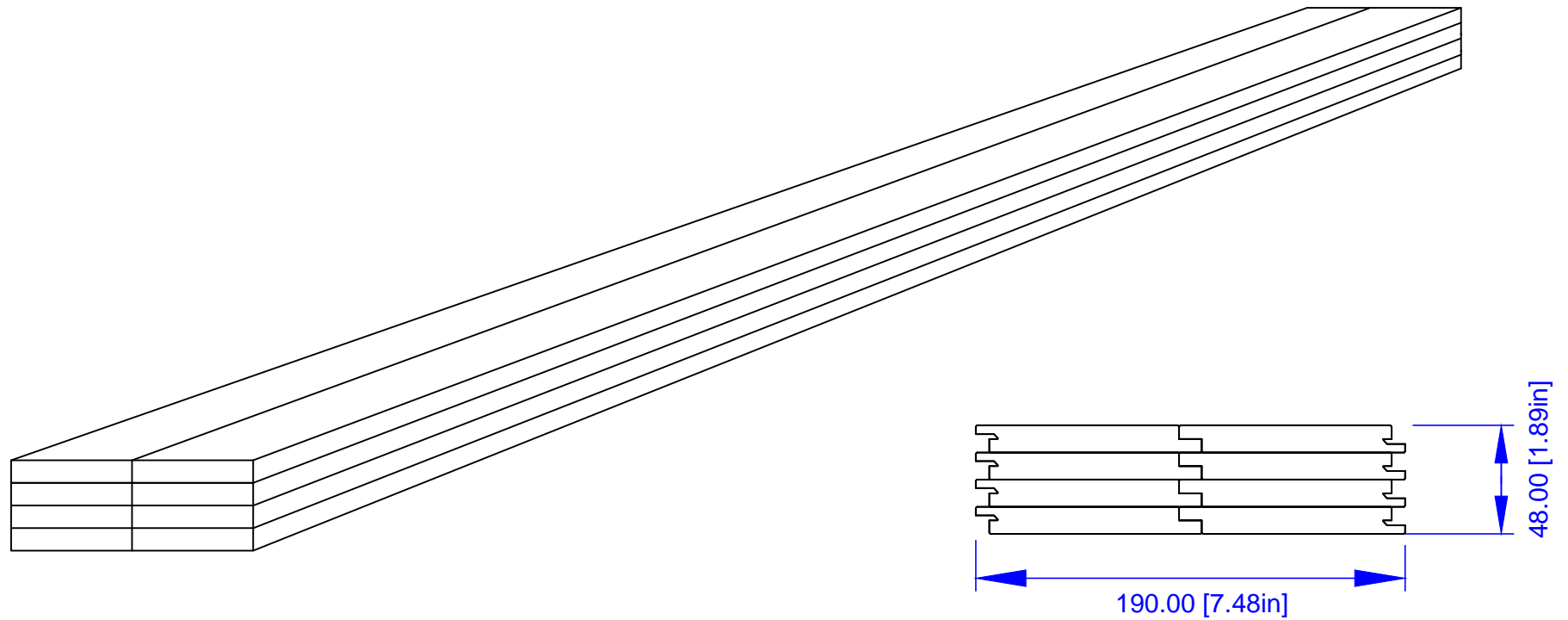
FILE: EPC-SOF12-100TG-PP.dwg

PRINTED:

Thickness tolerance: $\pm 0.2\text{mm}$

Width tolerance: $\pm 0.2\text{mm}$

length tolerance: $\pm 1\text{mm}$



Packaging layout: 2 rows X 4 layers, total 8pcs

REVISED BY: Lina.L
REVISED DATE:

REVISE ON:

PAGE NO.:

SAP V.:

dasso XTR

dassoXTR
Fused Bamboo® for Exterior Use

6060 Boat Rock Blvd SW
Atlanta, GA 30336
www.dassoxt.com
Tel: 1-404-691-6872

PRODUCT: EPC-SOF12-100TG-PP

TITLE: Packaging Layout

DRAWN BY: Lina.L DATE: Jan 01, 2018

SCALE: 1:1

CONTACT: 1-404-691-6872

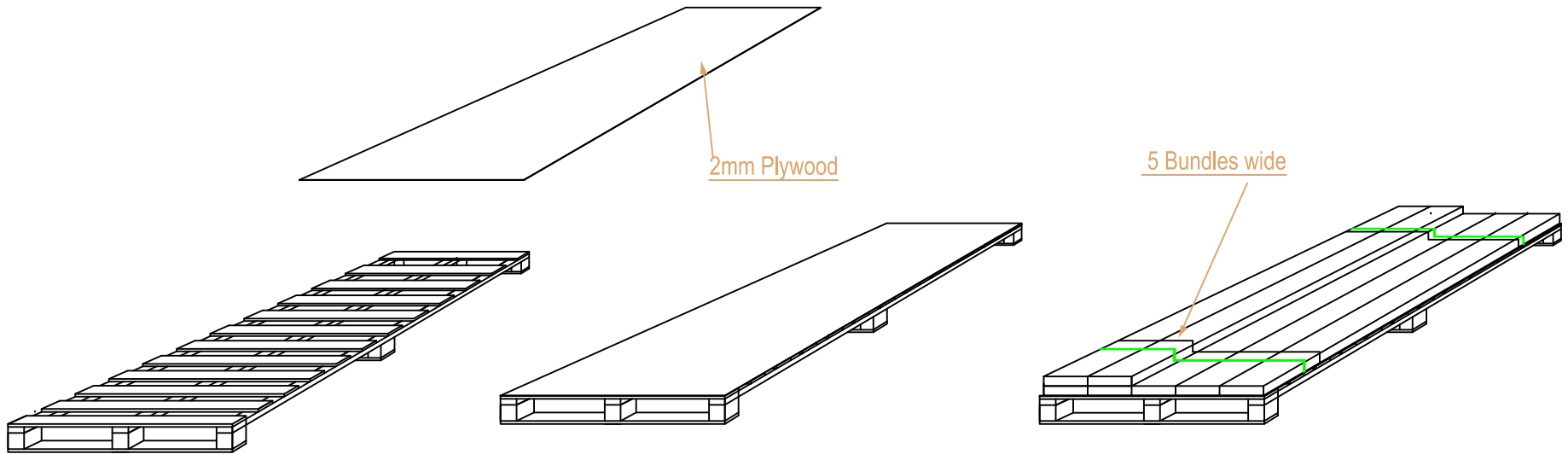
FILE: EPC-SOF12-100TG-PP.dwg

PRINTED:

Thickness tolerance: ±0.2mm

Width tolerance: ±0.2mm

length tolerance: ±1mm

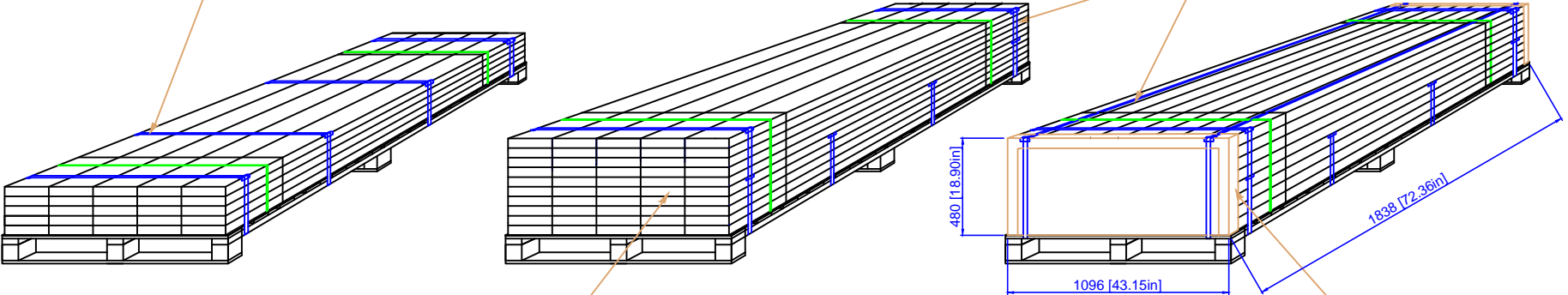


2mm Plywood

5 Bundles wide

There are 4 band in the middle of the pallet

There are 4 belts out of the pallet: before packaging the 4 belts, the wrap film is at least three layers and ensure full of the decking.



Layout: 5 rows x 10 layers

Corner guard on each corner

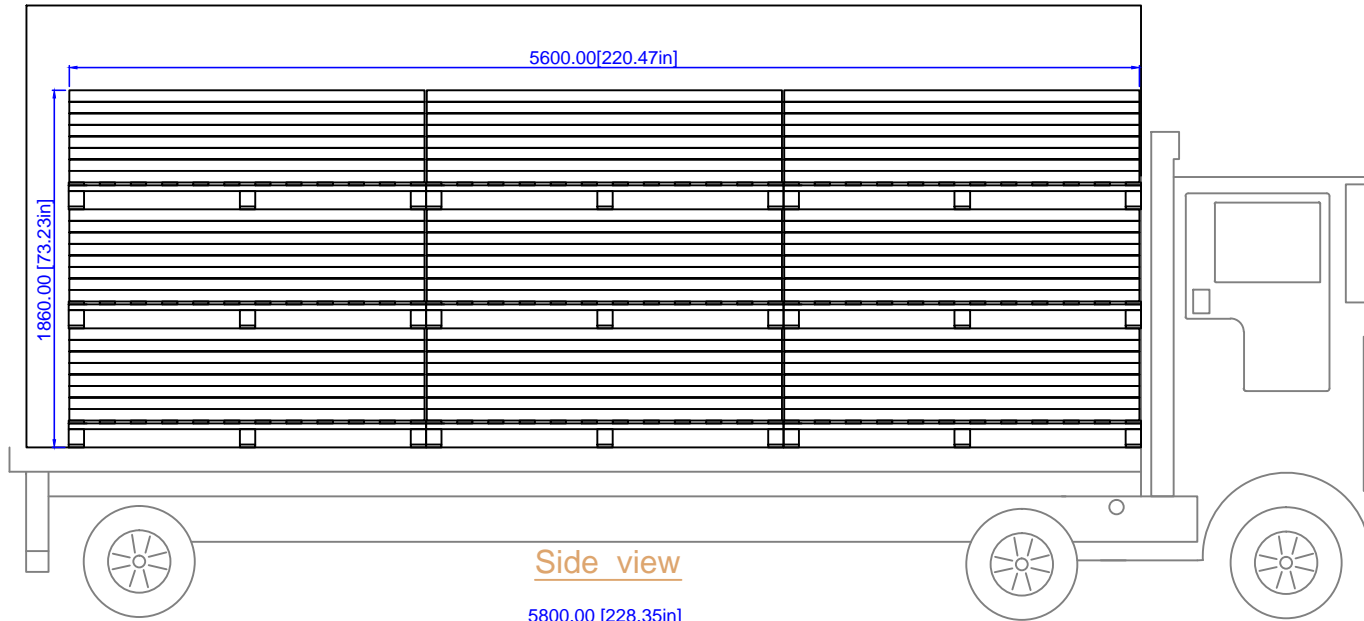
REVISED BY: Lina.L
 REVISED DATE:
 SAP V:
 dasso XTR

PAGE NO:

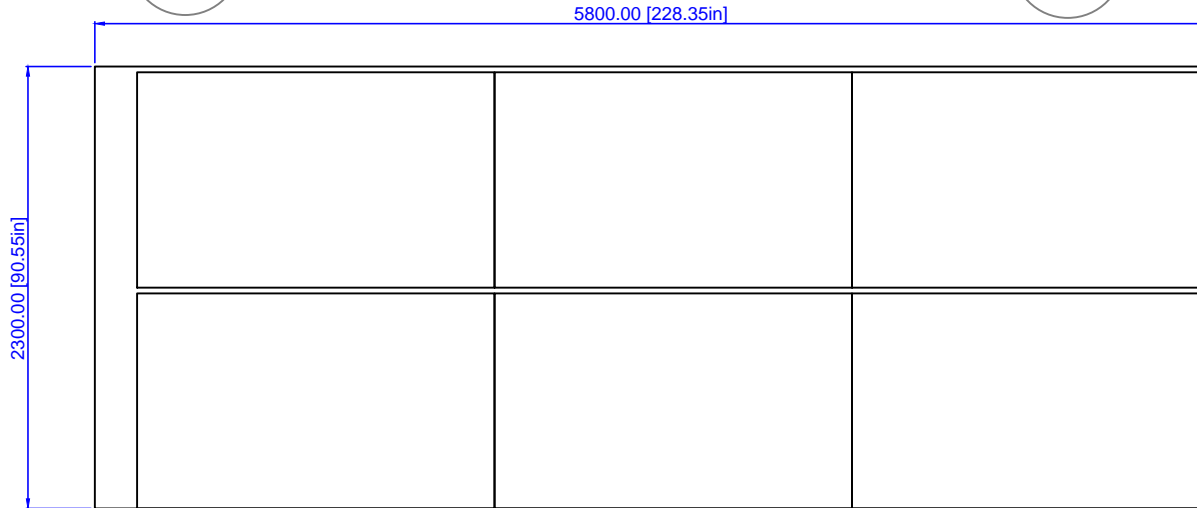
 Fused Bamboo® for Exterior Use
 6060 Boat Rock Blvd SW
 Atlanta, GA 30336
 www.dassoxttr.com
 Tel: 1-404-691-6872

PRODUCT: EPC-SOF12-100TG-PP
 TITLE: Pallet Layout
 DRAWN BY: Lina.L DATE: Jan 01, 2018 SCALE: 1:1 CONTACT: 1-404-691-6872
 FILE: EPC-SOF12-100TG-PP.dwg PRINTED:

Thickness tolerance: ±0.2mm
 Width tolerance: ±0.2mm
 length tolerance: ±1mm



Side view



Top view

REVISED BY: Lina.L
REVISED DATE:

REVISE ON:

PAGE NO:

SAP V:

dasso XTR

dassoXTR
Fused Bamboo® for Exterior Use

6060 Boat Rock Blvd SW
Atlanta, GA 30336
www.dassoxt.com
Tel: 1-404-691-6872

PRODUCT: EPC-SOF12-100TG-PP

TITLE: 20' Container Loading-18 Pallets max

DRAWN BY: Lina.L DATE: Jan 01, 2018

FILE: EPC-SOF12-100TG-PP.dwg

SCALE: 1:1

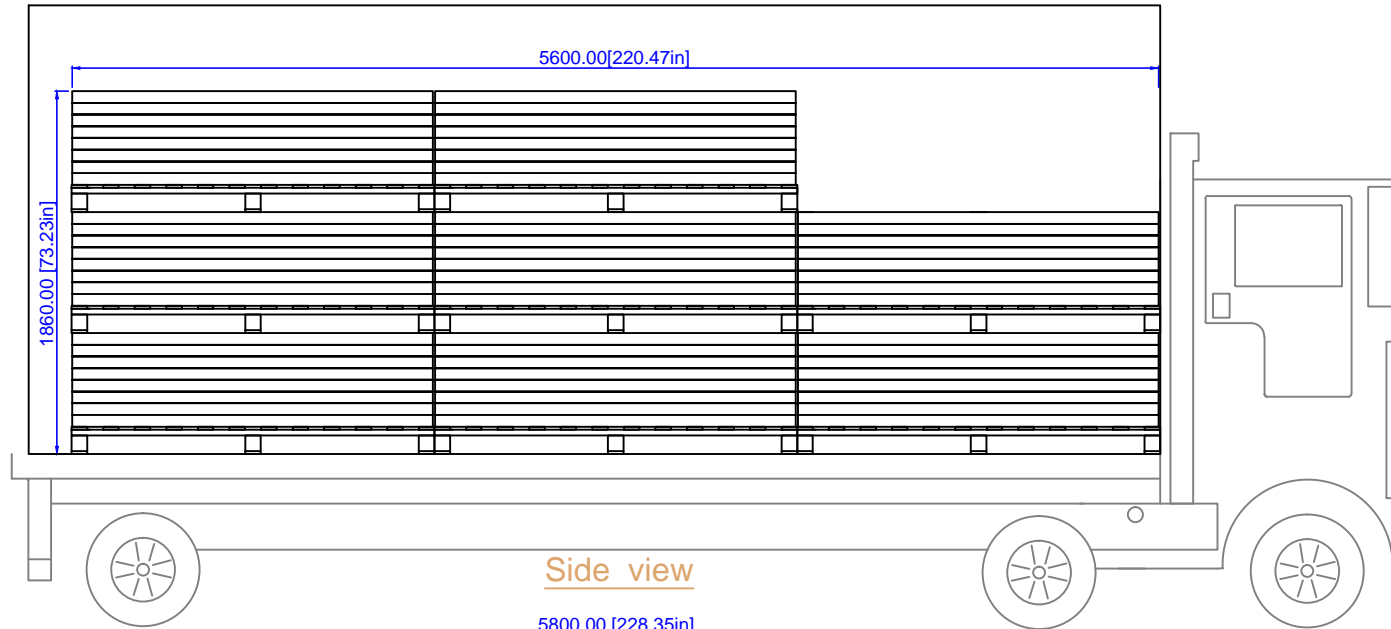
CONTACT: 1-404-691-6872

PRINTED:

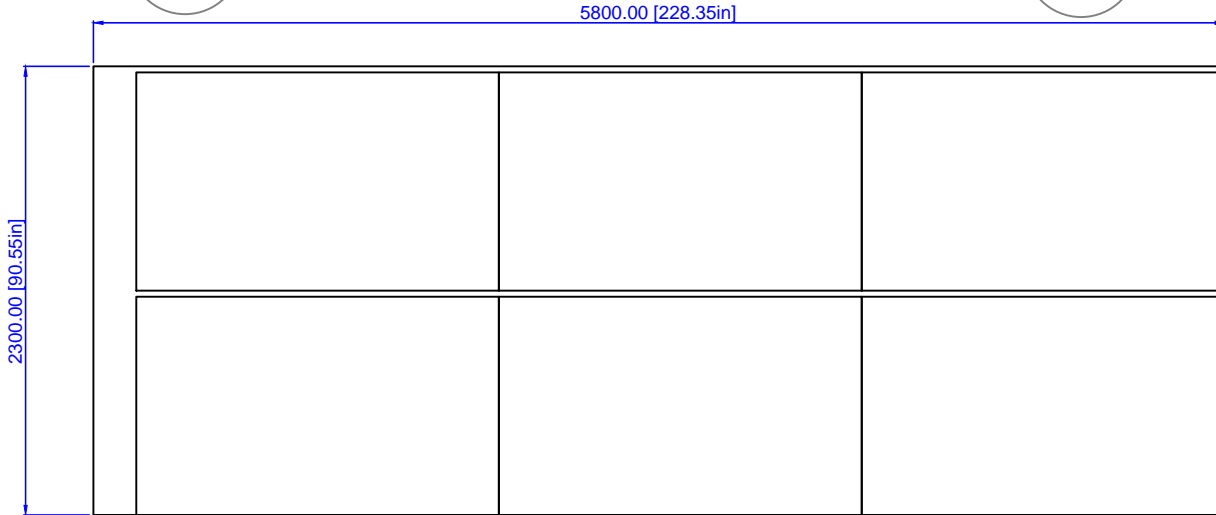
Thickness tolerance: ±0.2mm

Width tolerance: ±0.2mm

length tolerance: ±1mm



Side view



Top view

REVISED BY: Lina.L
REVISION: 1
REVISION DATE:

PAGE NO.:



6060 Boat Rock Blvd SW
Atlanta, GA 30336
www.dassoxtf.com
Tel: 1-404-691-6872

PRODUCT: EPC-SOF12-100TG-PP

TITLE: 20' Container Loading-17 Pallets

DRAWN BY: Lina.L DATE: Jan 01, 2018 SCALE: 1:1 CONTACT: 1-404-691-6872

FILE: EPC-SOF12-100TG-PP.dwg

PRINTED:

Thickness tolerance: ±0.2mm

Width tolerance: ±0.2mm

length tolerance: ±1mm

SAP V.:

dasso XTR