

REVISED BY: Lina.L
 REVISED DATE:

REVISE ON:

PAGE NO.:

SAP V.:

dasso XTR

dassoXTR
 Fused Bamboo® for Exterior Use

6060 Boat Rock Blvd SW
 Atlanta, GA 30336
 www.dassoxt.com
 Tel: 1-404-691-6872

PRODUCT: XTR-SOF12-100TG-PP

TITLE: First Soffit Installation

DRAWN BY: Lina.L DATE: Jan 01, 2018

SCALE: 1:1

CONTACT: 1-404-691-6872

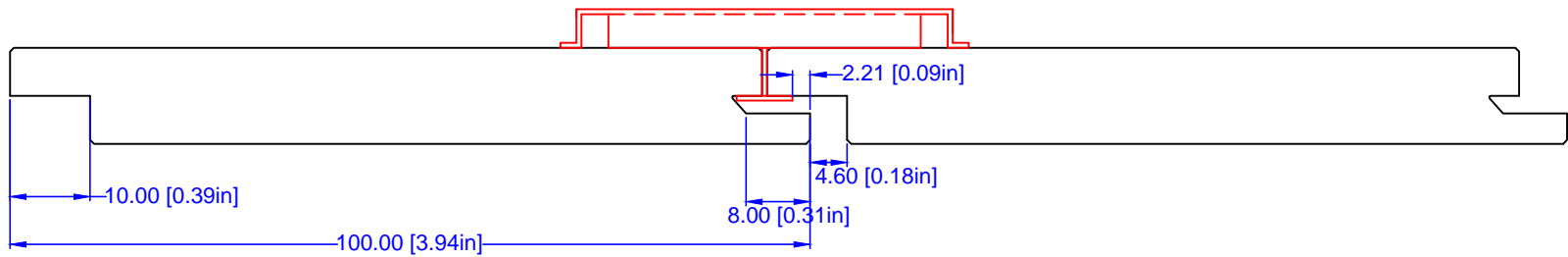
FILE: XTR-SOF12-100TG-PP.dwg

PRINTED:

Thickness tolerance: ±0.2mm

Width tolerance: ±0.2mm

length tolerance: ±1mm



REVISED BY: Lina.L
REVISED DATE:

REVISE ON:

PAGE NO.:

dassoXTR
Fused Bamboo® for Exterior Use

6060 Boat Rock Blvd SW
Atlanta, GA 30336
www.dassoxt.com
Tel: 1-404-691-6872

PRODUCT: XTR-SOF12-100TG-PP

TITLE: Short Side Installation

DRAWN BY: Lina.L DATE: Jan 01, 2018

SCALE: 1:1

CONTACT: 1-404-691-6872

FILE: XTR-SOF12-100TG-PP.dwg

PRINTED:

Thickness tolerance: ±0.2mm

Width tolerance: ±0.2mm

length tolerance: ±1mm

SAP V.:

dasso XTR

First Soffit

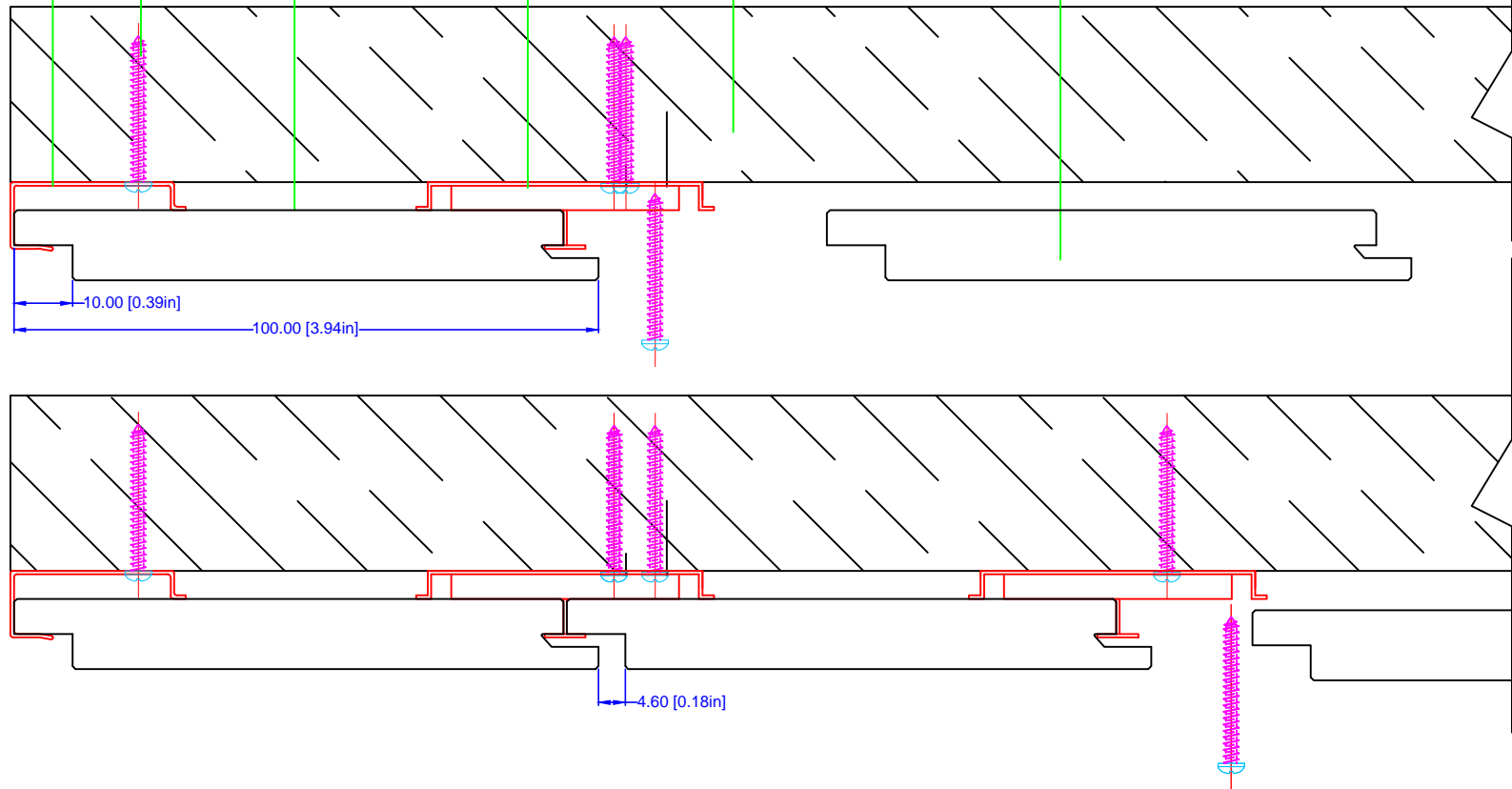
Overlock Fastener

Screw

Fastener

Joist

Soffit



REVISED BY: Lina.L
REVISED DATE:

REVISE ON:

PAGE NO.:

SAP V.:

dasso XTR

dassoXTR
Fused Bamboo® for Exterior Use

6060 Boat Rock Blvd SW
Atlanta, GA 30336
www.dassoxt.com
Tel: 1-404-691-6872

PRODUCT: XTR-SOF12-100TG-PP

TITLE: Soffit Installation

DRAWN BY: Lina.L DATE: Jan 01, 2018

SCALE: 1:1

CONTACT: 1-404-691-6872

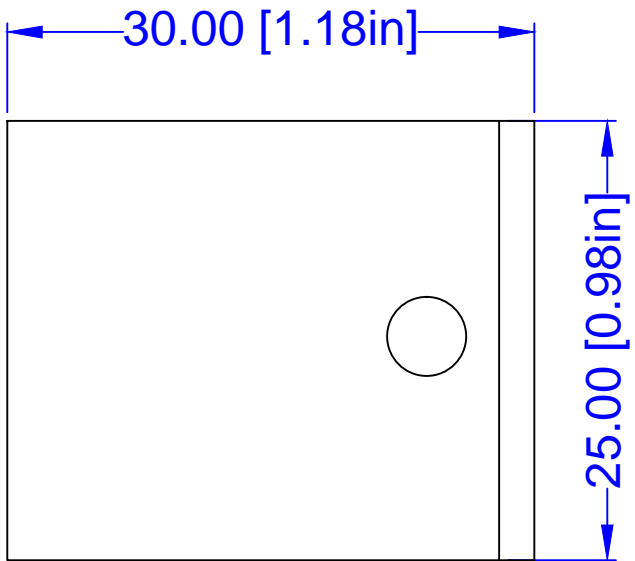
FILE: XTR-SOF12-100TG-PP.dwg

PRINTED:

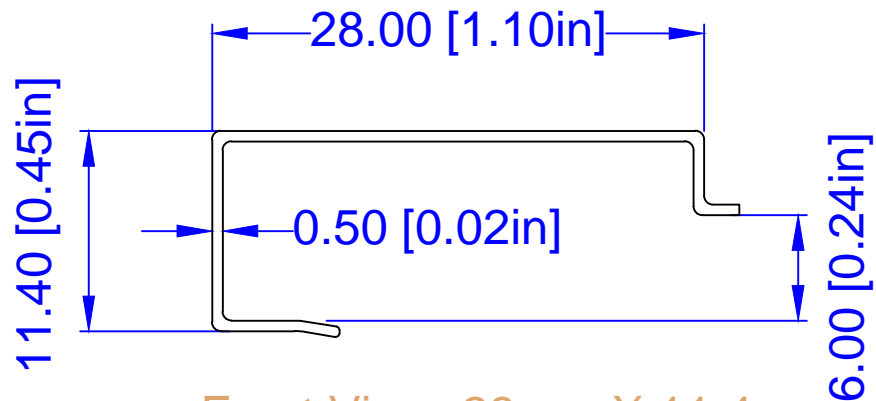
Thickness tolerance: ±0.2mm

Width tolerance: ±0.2mm

length tolerance: ±1mm



Top View: 30mm X 25mm



Front View: 28mm X 11.4mm

REVISED BY: Lina.L
REVISED DATE:

REVISE ON:

PAGE NO:

SAP V:

dasso XTR

dassoXTR
Fused Bamboo® for Exterior Use

6060 Boat Rock Blvd SW
Atlanta, GA 30336
www.dassoxt.com
Tel: 1-404-691-6872

PRODUCT: XTR-SOF12-100TG-PP

TITLE: The starter clip

DRAWN BY: Lina.L DATE: Jan 01, 2018

SCALE: 1:1

CONTACT: 1-404-691-6872

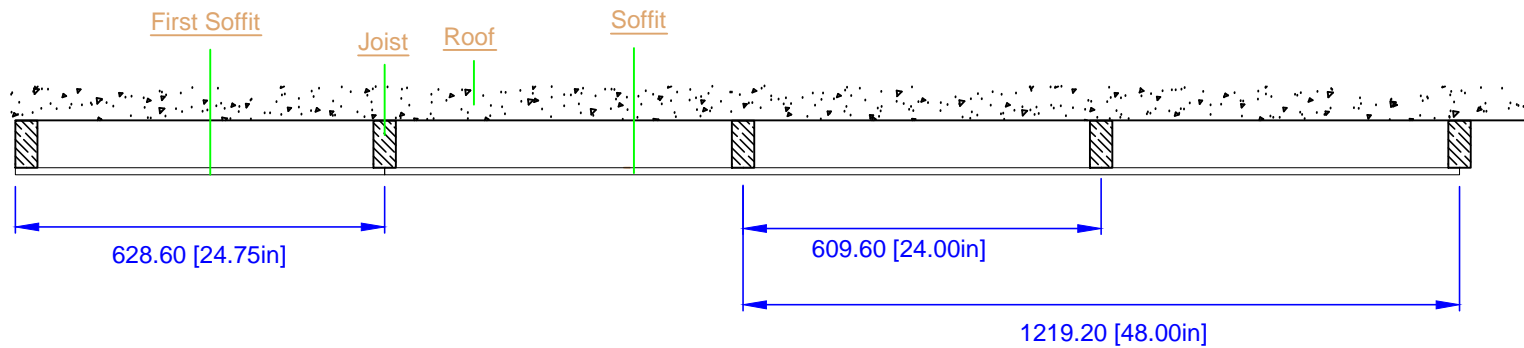
FILE: XTR-SOF12-100TG-PP.dwg

PRINTED:

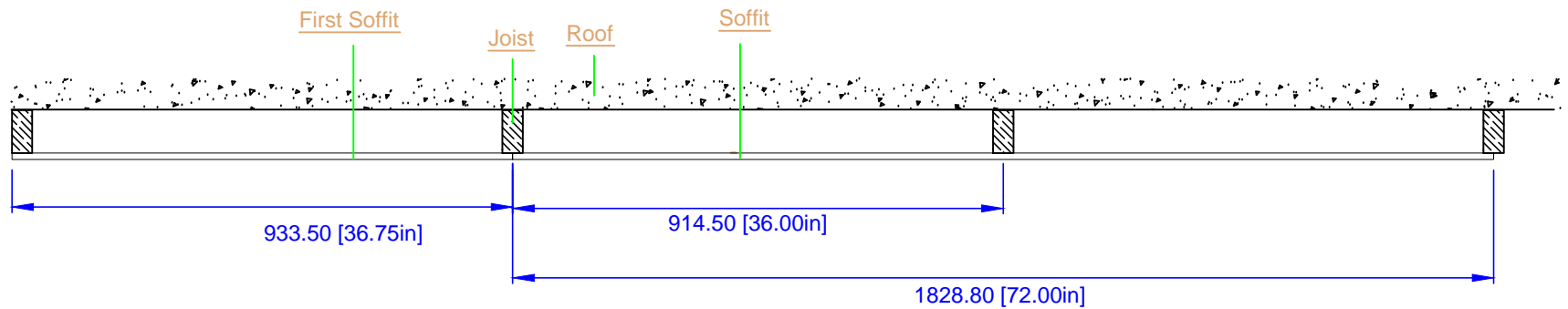
Thickness tolerance: ±0.2mm

Width tolerance: ±0.2mm

length tolerance: ±1mm



24" center to center



36" center to center

REVISIONS:
 Lina.L
 REVISED DATE:
 dasso XTR

PAGE NO.:



PRODUCT: XTR-SOF12-100TG-PP

TITLE: Joist Spacing

DRAWN BY: Lina.L DATE: Jan 01, 2018

SCALE: 1:1

CONTACT: 1-404-691-6872

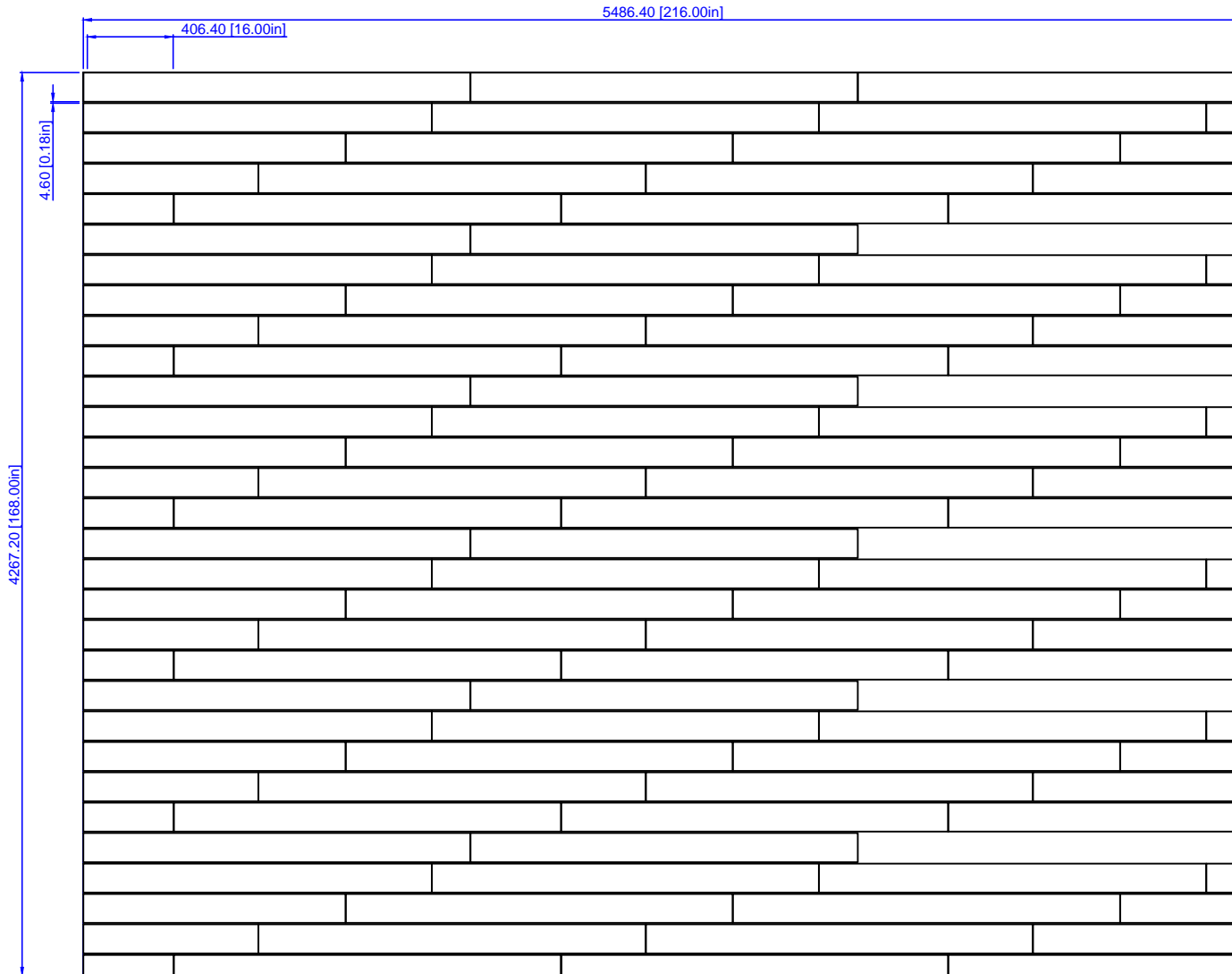
FILE: XTR-SOF12-100TG-PP.dwg

PRINTED:

Thickness tolerance: ±0.2mm

Width tolerance: ±0.2mm

length tolerance: ±1mm



REVISED BY: Lina.L
REVISED DATE:

REVISE ON:

PAGE NO:

SAP V:

dasso XTR



6060 Boat Rock Blvd SW
Atlanta, GA 30336
www.dassoxt.com
Tel: 1-404-691-6872

PRODUCT: XTR-SOF12-100TG-PP

TITLE: Random

DRAWN BY: Lina.L DATE: Jan 01, 2018

SCALE: 1:1

CONTACT: 1-404-691-6872

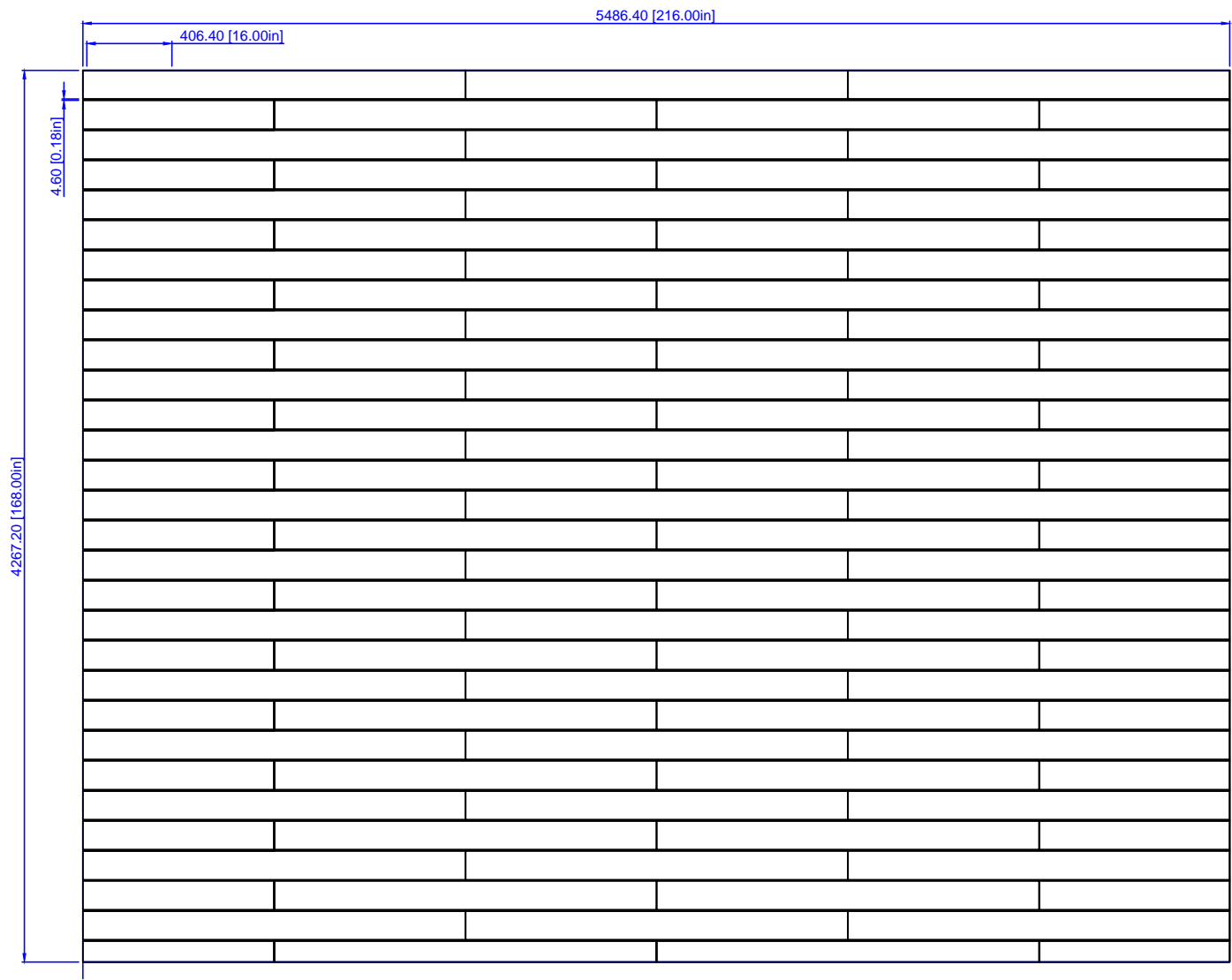
FILE: XTR-SOF12-100TG-PP.dwg

PRINTED:

Thickness tolerance: ±0.2mm

Width tolerance: ±0.2mm

length tolerance: ±1mm



REVISED BY: Lina.L
 REVISED DATE:
 SAP V:
 dasso XTR

REVISION: _____
 PAGE NO: _____



PRODUCT: XTR-SOF12-100TG-PP
 TITLE: Staggered
 DRAWN BY: Lina.L DATE: Jan 01, 2018 SCALE: 1:1 CONTACT: 1-404-691-6872
 FILE: XTR-SOF12-100TG-PP.dwg PRINTED:

Thickness tolerance: ±0.2mm
 Width tolerance: ±0.2mm
 length tolerance: ±1mm