

REVISED BY: Lina.L
REVISED DATE:

REVISE ON:

PAGE NO.:

SAP V.:

dasso XTR

dassoXTR
Fused Bamboo® for Exterior Use

6060 Boat Rock Blvd SW
Atlanta, GA 30336
www.dassoxt.com
Tel: 1-404-691-6872

PRODUCT: XTR-SOF12-100TG-PP

TITLE: Wood Pallet Type 1120

DRAWN BY: Lina.L DATE: Jan 01, 2018

SCALE: 1:1

CONTACT: 1-404-691-6872

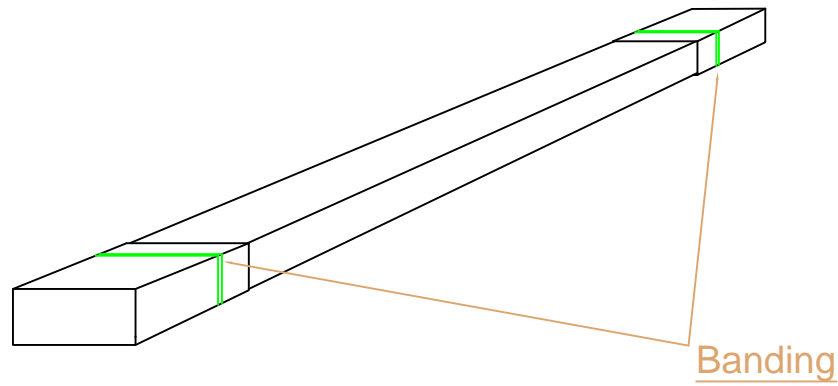
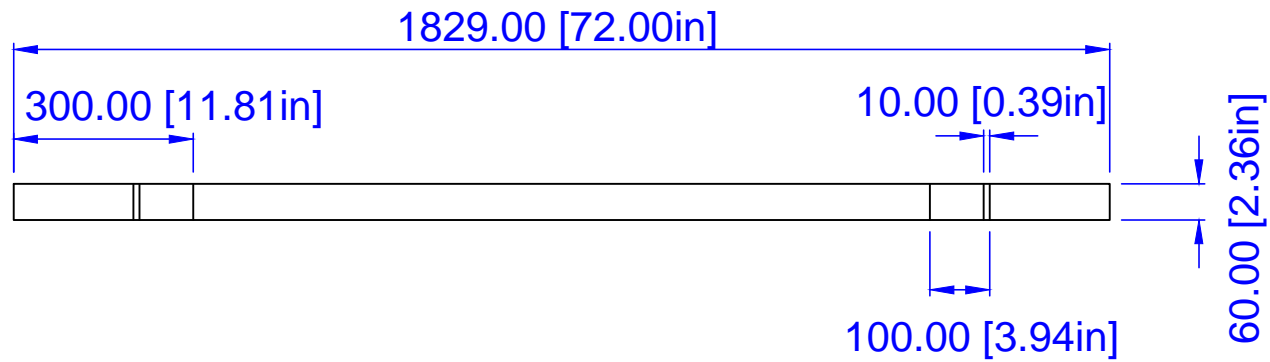
FILE: XTR-SOF12-100TG-PP.dwg

PRINTED:

Thickness tolerance: ±0.2mm

Width tolerance: ±0.2mm

length tolerance: ±1mm



REVISED BY: Lina.L
REVISED DATE:

REVISE ON:

PAGE NO:

SAP V:

dasso XTR

dassoXTR
Fused Bamboo® for Exterior Use

6060 Boat Rock Blvd SW
Atlanta, GA 30336
www.dassoxt.com
Tel: 1-404-691-6872

PRODUCT: XTR-SOF12-100TG-PP

TITLE: Bundle Dimension

DRAWN BY: Lina.L DATE: Jan 01, 2018

SCALE: 1:1

CONTACT: 1-404-691-6872

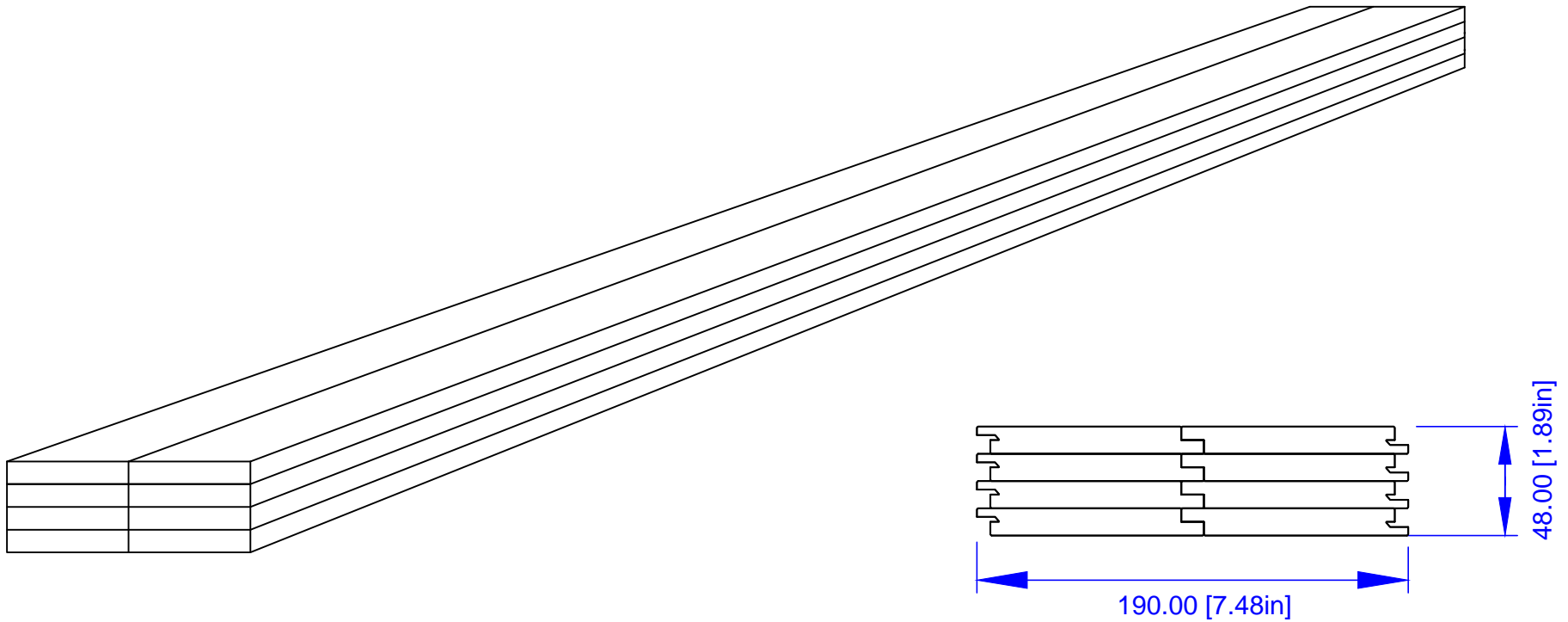
FILE: XTR-SOF12-100TG-PP.dwg

PRINTED:


Thickness tolerance: ±0.2mm

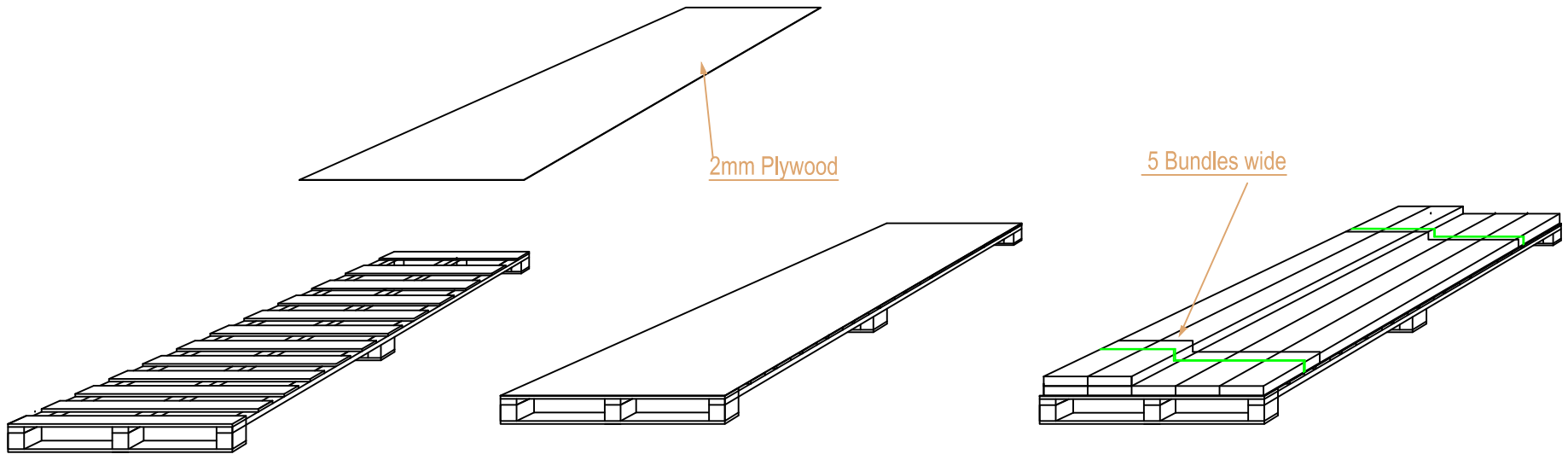
Width tolerance: ±0.2mm

length tolerance: ±1mm



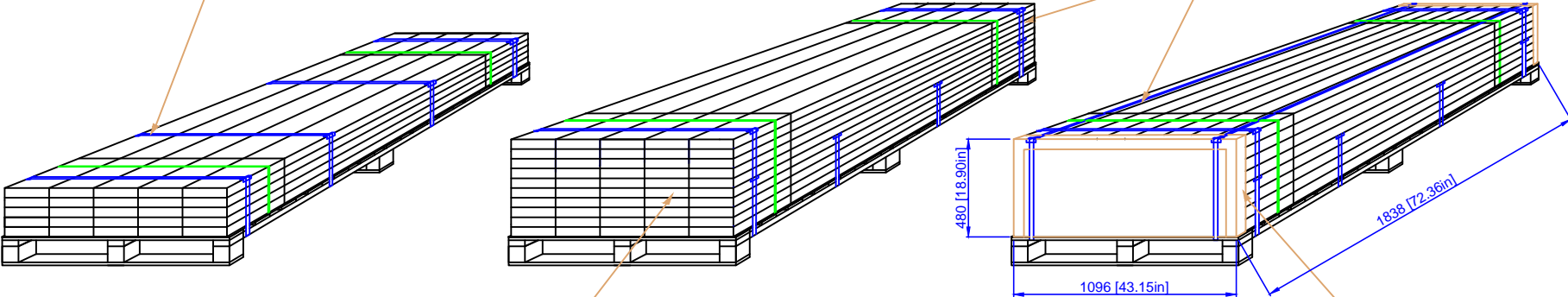
Packaging layout: 2 rows X 4 layers, total 8pcs


REVISED BY: Lina.L REVISED DATE:	REVISION ON:	PAGE NO.:	PRODUCT: XTR-SOF12-100TG-PP			Thickness tolerance: $\pm 0.2\text{mm}$	
SAP V.: dasso XTR			TITLE: Packaging Layout			Width tolerance: $\pm 0.2\text{mm}$	
 Fused Bamboo® for Exterior Use 6060 Boat Rock Blvd SW Atlanta, GA 30336 www.dassoxt.com Tel: 1-404-691-6872			DRAWN BY: Lina.L	DATE: Jan 01, 2018	SCALE: 1:1	CONTACT: 1-404-691-6872	length tolerance: $\pm 1\text{mm}$
			FILE: XTR-SOF12-100TG-PP.dwg	PRINTED:			

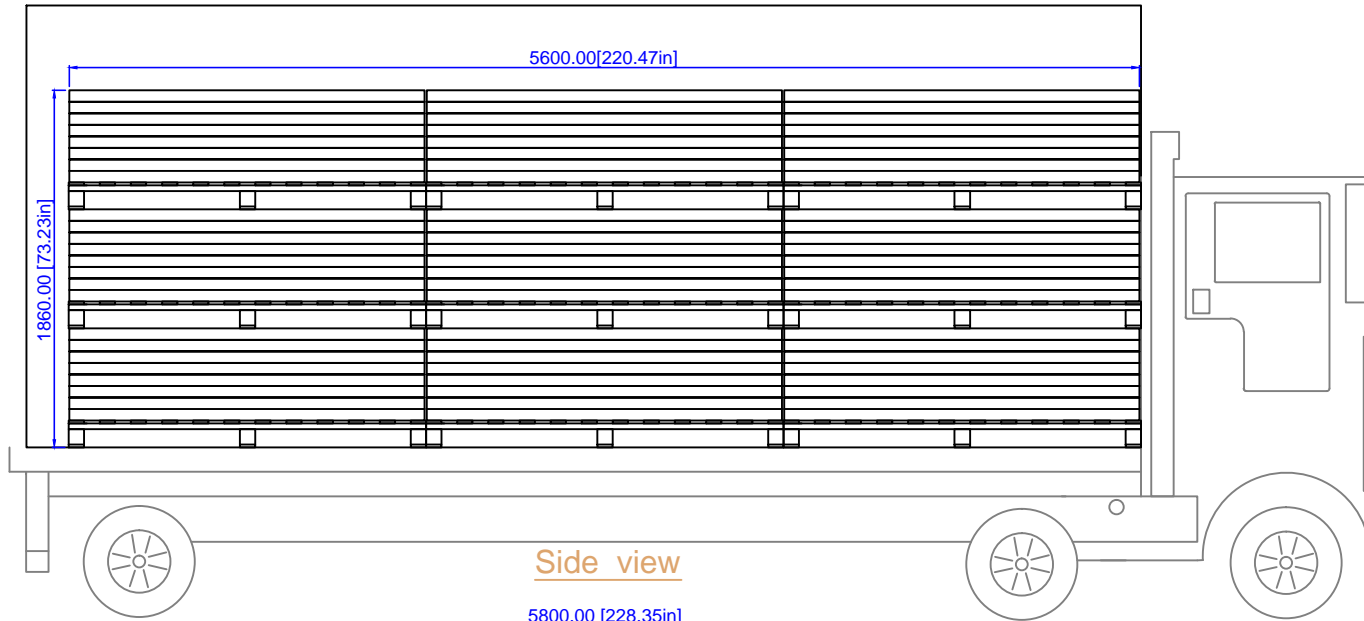


There are 4 band in the middle of the pallet

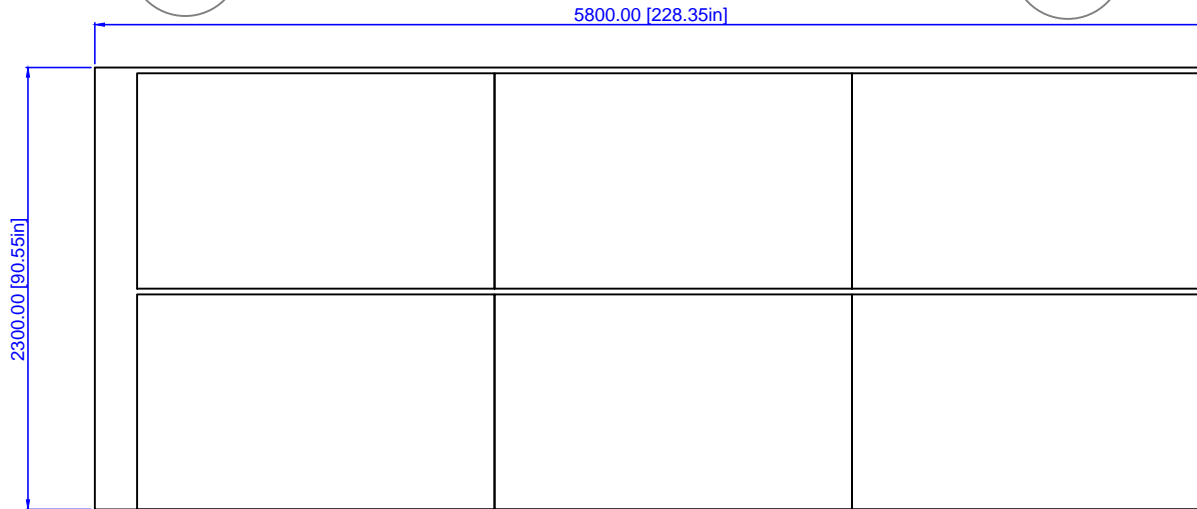
There are 4 belts out of the pallet: before packaging the 4 belts, the wrap film is at least three layers and ensure full of the decking.



REVISED BY: Lina.L REVISION DATE: SAP V: dasso XTR	REVISE ON: PAGE NO.:  Fused Bamboo® for Exterior Use 6060 Boat Rock Blvd SW Atlanta, GA 30336 www.dassoxt.com Tel: 1-404-691-6872	PRODUCT: XTR-SOF12-100TG-PP TITLE: Pallet Layout DRAWN BY: Lina.L DATE: Jan 01, 2018 SCALE: 1:1 CONTACT: 1-404-691-6872 FILE: XTR-SOF12-100TG-PP.dwg	Thickness tolerance: ±0.2mm Width tolerance: ±0.2mm Length tolerance: ±1mm
---	---	---	--



Side view



Top view

REVISED BY: Lina.L
REVISED DATE:

REVISE ON:

PAGE NO:

SAP V:

dasso XTR

dassoXTR
Fused Bamboo® for Exterior Use

6060 Boat Rock Blvd SW
Atlanta, GA 30336
www.dassoxt.com
Tel: 1-404-691-6872

PRODUCT: XTR-SOF12-100TG-PP

TITLE: 20' Container Loading-18 Pallets max

DRAWN BY: Lina.L DATE: Jan 01, 2018

FILE: XTR-SOF12-100TG-PP.dwg

SCALE: 1:1

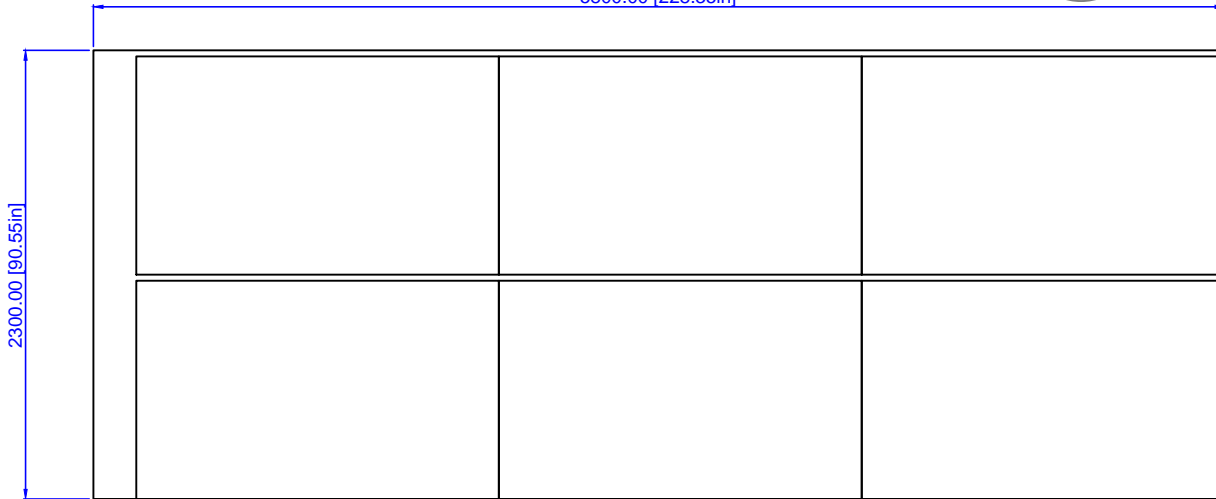
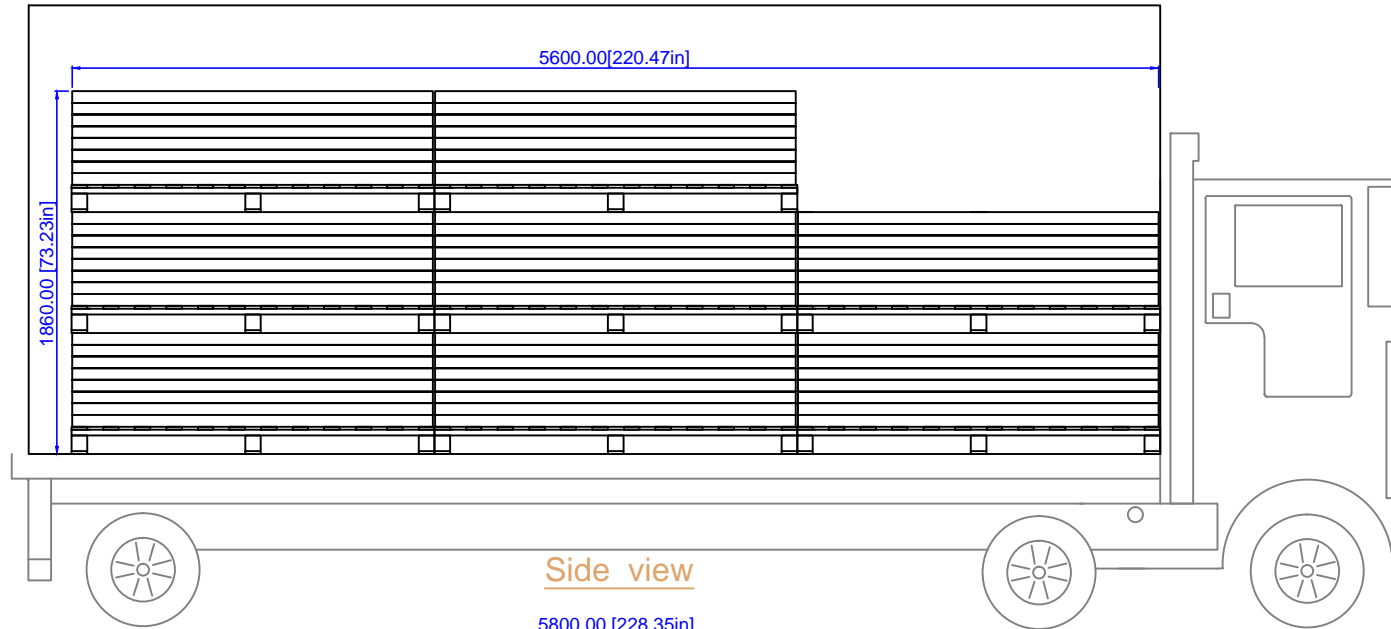
CONTACT: 1-404-691-6872

PRINTED:

Thickness tolerance: ±0.2mm

Width tolerance: ±0.2mm

length tolerance: ±1mm



REVISED BY: Lina.L
REVISED DATE:

REVISE ON:

PAGE NO.:

SAP V.:

dasso XTR

dassoXTR
Fused Bamboo® for Exterior Use

6060 Boat Rock Blvd SW
Atlanta, GA 30336
www.dassoxtf.com
Tel: 1-404-691-6872

PRODUCT: XTR-SOF12-100TG-PP

TITLE: 20' Container Loading-17 Pallets

DRAWN BY: Lina.L DATE: Jan 01, 2018

SCALE: 1:1

CONTACT: 1-404-691-6872

FILE: XTR-SOF12-100TG-PP.dwg

PRINTED:

Thickness tolerance: ±0.2mm

Width tolerance: ±0.2mm

length tolerance: ±1mm