

REVISED BY: Lina.L
 REVISION DATE:

PAGE NO.:



6060 Boat Rock Blvd SW
 Atlanta, GA 30336
 www.dassoxt.com
 Tel: 1-404-691-6872

PRODUCT: Wood Pallet Type 1120

TITLE: Wood Pallet Type 1120

DRAWN BY: Lina.L DATE: Jan 01, 2018

SCALE: 1:1

CONTACT: 1-404-691-6872

FILE: EPC-DK20-G2-PP.DWG

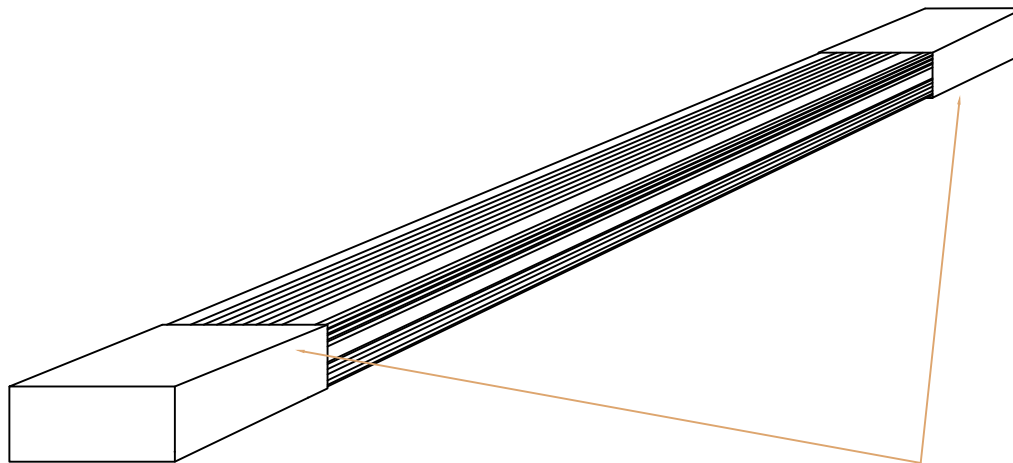
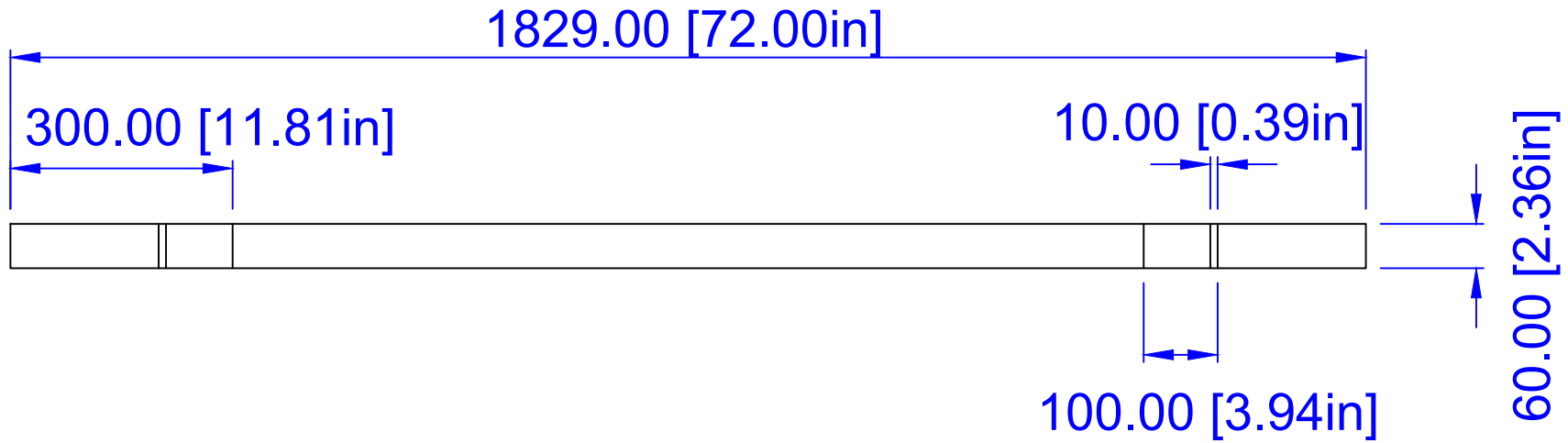
PRINTED:

Thickness tolerance: ±1mm


Width tolerance: ±1mm

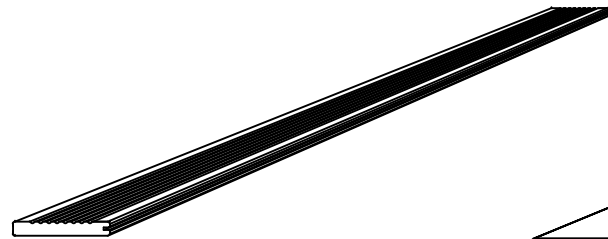
length tolerance: ±1mm

SAP V:
 dasso XTR

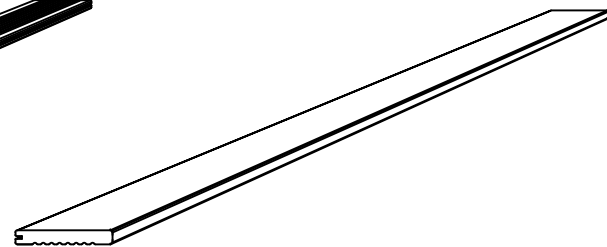


Sleeves and Plastic Package

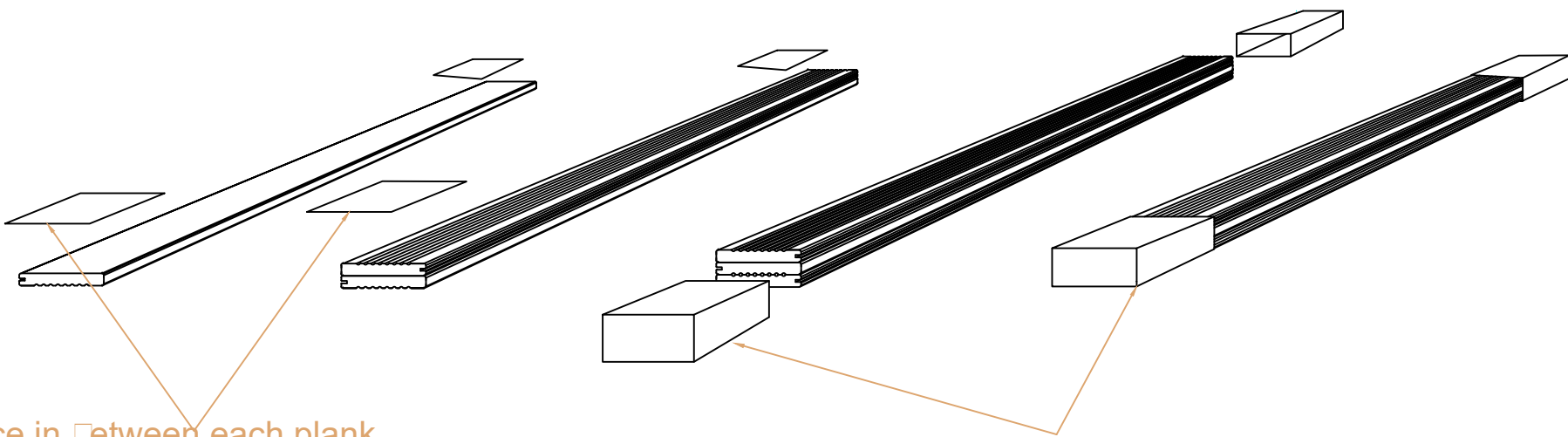
REVISED BY: Lina.L	REVISE ON:	PAGE NO.:	PRODUCT: EPC-DK20-G2-PP decking plank: 20mm x 137mm		Thickness tolerance: ±0.2mm
REVISED DATE:			TITLE: Bundle Dimension		Width tolerance: ±0.2mm
SAP V.:			DRAWN BY: Lina.L	DATE: Jan 01, 2018	length tolerance: ±1mm
dasso XTR			SCALE: 1:1	CONTACT: 1-404-691-6872	
 Fused Bamboo® for Exterior Use 6900 Boat Rock Blvd SW Atlanta, GA 30336 www.dassoxt.com Tel: 1-404-691-6872			FILE: EPC-DK20-G2-PP.DWG	PRINTED:	



Front view



Back view



Place in [] between each plank

Paper sleeves: place on each end of the [] bundle

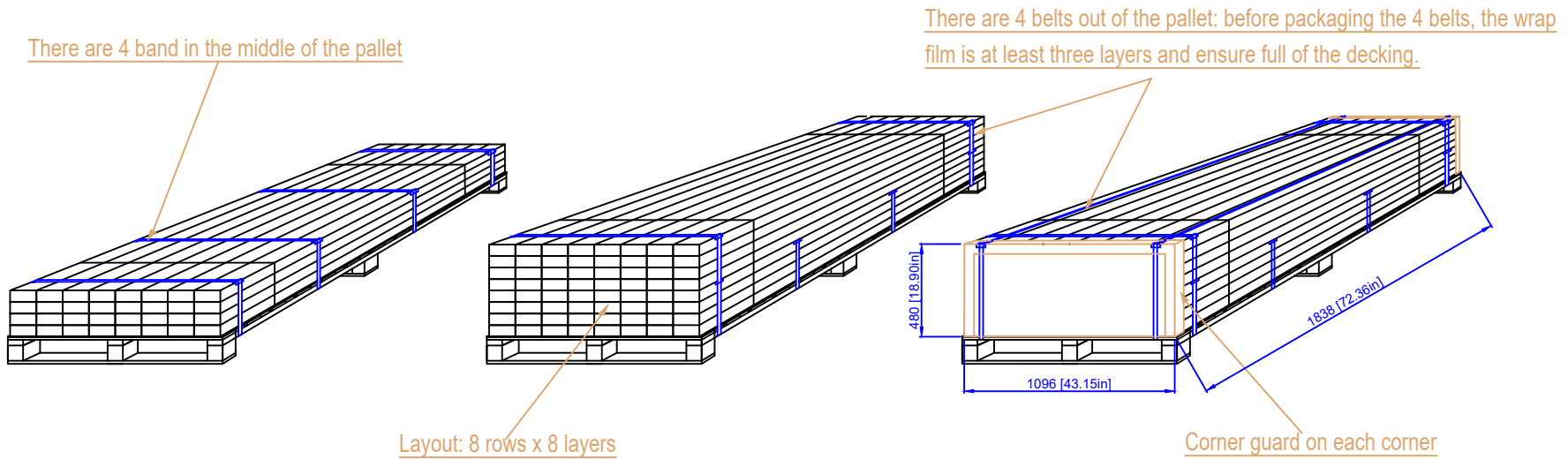
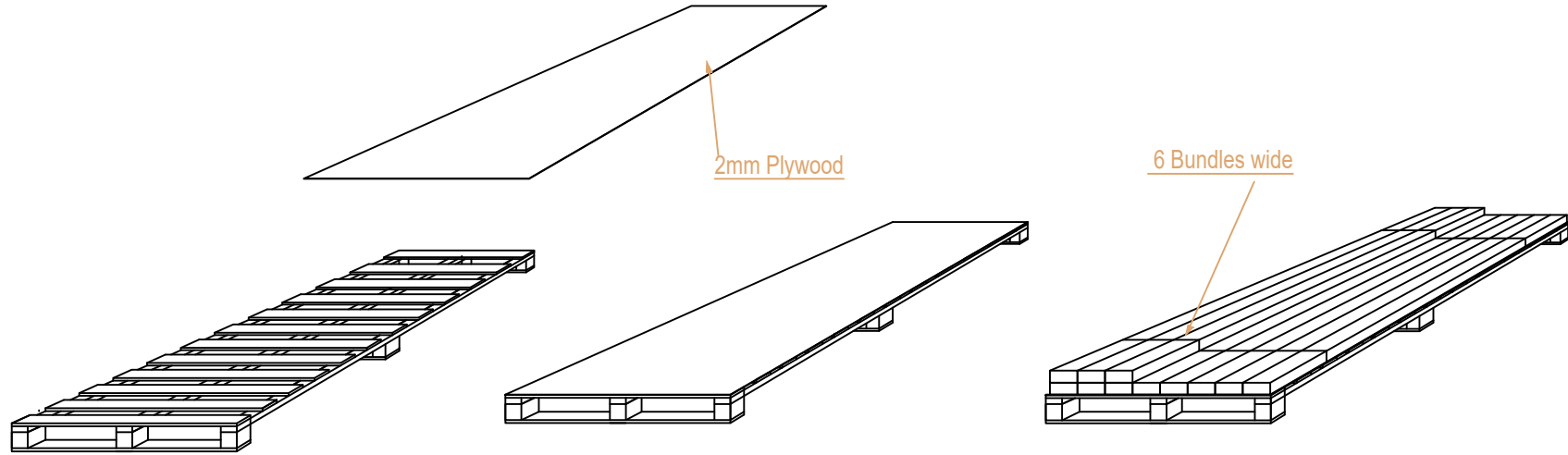
REVISED BY: Lina.L
 REVISION DATE:
 dasso XTR

PAGE NO:



PRODUCT: EPC-DK20-G2-PP decking plank: 20mm x 137mm
 TITLE: Decking Bundle Package Layout
 DRAWN BY: Lina.L DATE: Jan 01, 2018 SCALE: 1:1 CONTACT: 1-404-691-6872
 FILE: EPC-DK20-G2-PP.DWG PRINTED:

Thickness tolerance: ±0.2mm
 Width tolerance: ±0.2mm
 length tolerance: ±1mm



REVISED BY: Lina.L
REVISED DATE:

PAGE NO:



6060 Boat Rock Blvd SW
Atlanta, GA 30336
www.dassoxt.com
Tel: 1-404-691-6872

PRODUCT: EPC-DK20-G2-PP decking plank: 20mm x 137mm

TITLE: Pallet Layout

DRAWN BY: Lina.L DATE: Jan 01, 2018

SCALE: 1:1

CONTACT: 1-404-691-6872

FILE: EPC-DK20-G2-PP.DWG

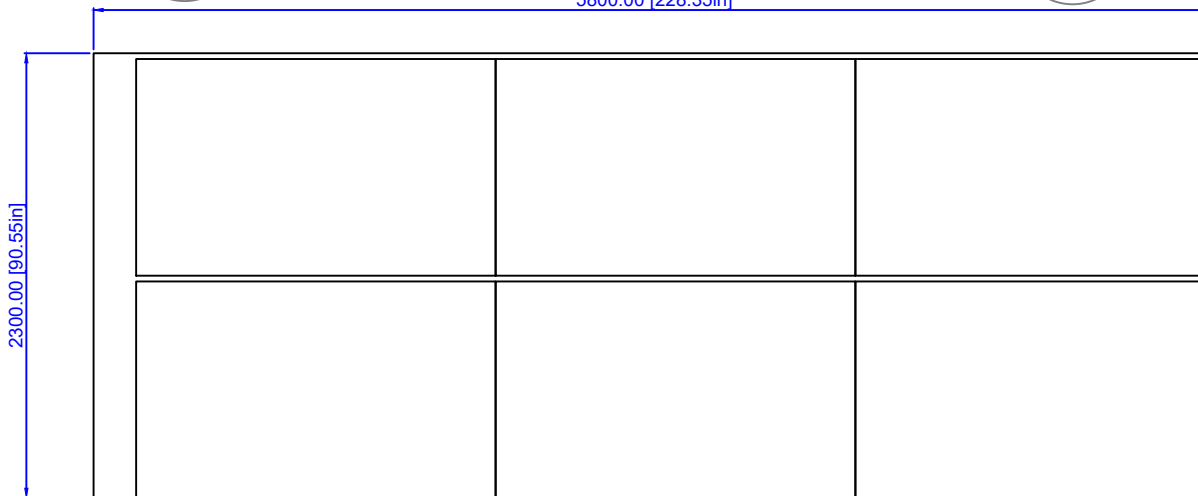
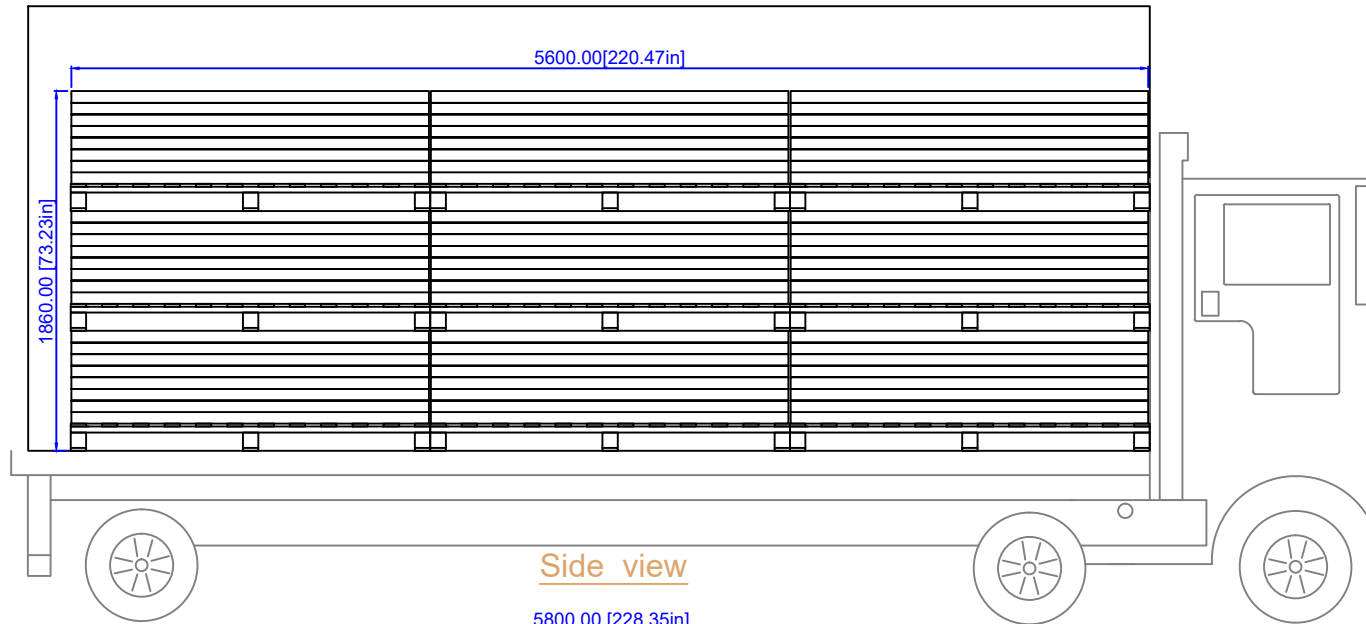
PRINTED:

Thickness tolerance: ±1mm

Width tolerance: ±1mm

length tolerance: ±1mm

SAP V:
dasso XTR



REVISED BY: Lina.L
REVISED DATE:

PAGE NO:



6060 Boat Rock Blvd SW
Atlanta, GA 30336
www.dassoxttr.com
Tel: 1-404-691-6872

PRODUCT: EPC-DK20-G2-PP decking plank: 20mm □137mm

Dimensions: Interior

TITLE: 20' Container Loading—18 Pallet Max

DRAWN BY: Lina.L DATE: Jan 01, 2018

SCALE: 1:1

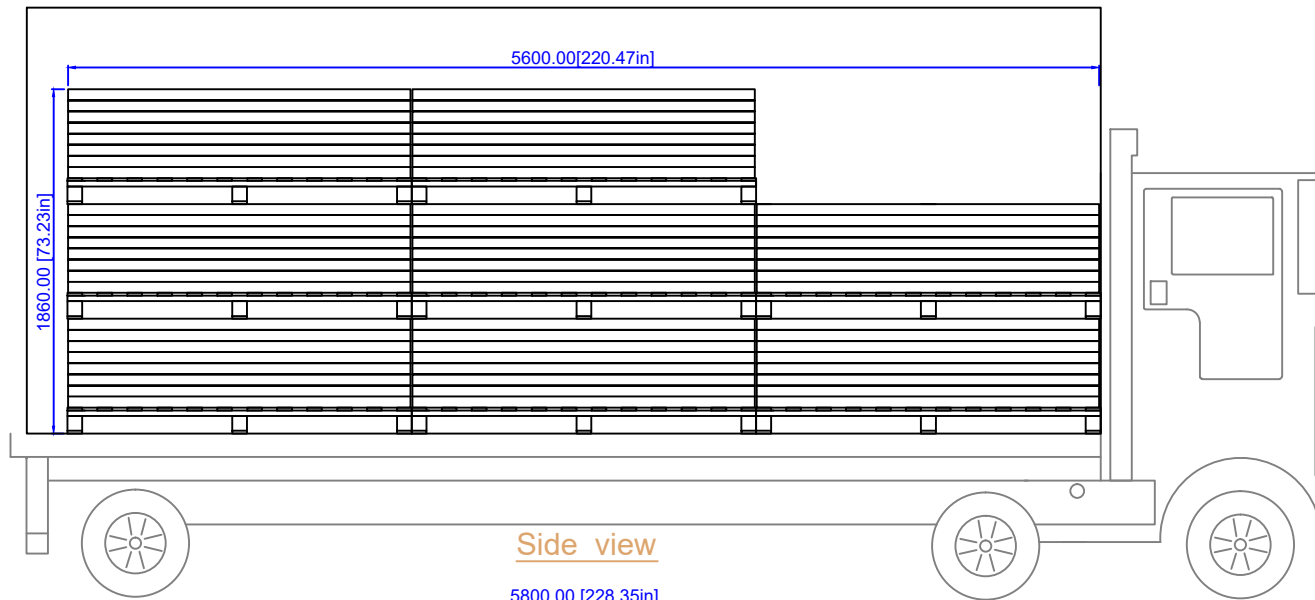
CONTACT: 1-404-691-6872

FILE: EPC-DK20-G2-PP.DWG

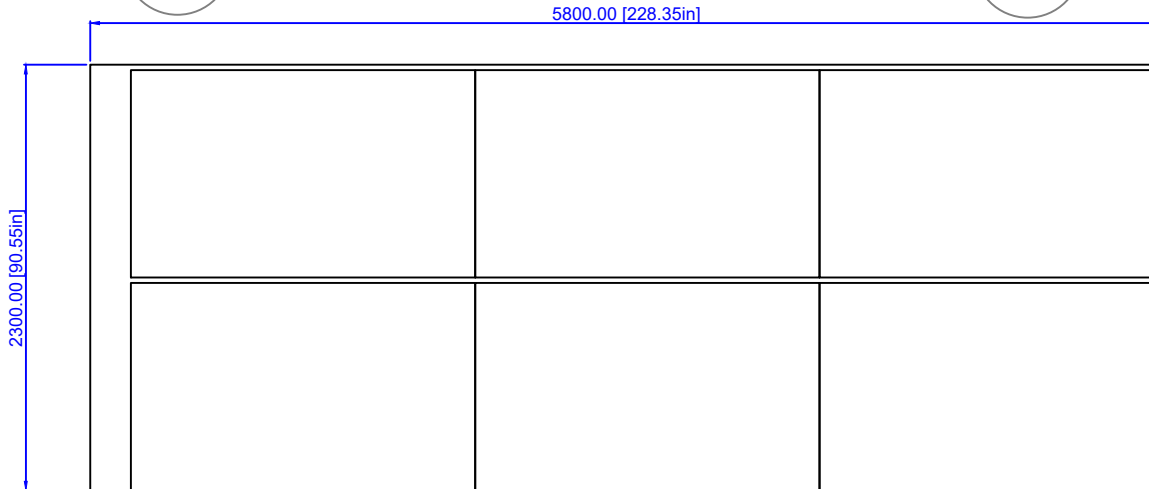
PRINTED:

SAP V:

dasso XTR



Side view



Top view

REVISED BY: Lina.L	REVISE ON:	PAGE NO.:
REVISED DATE:		
SAP V:	dasso XTR	



PRODUCT: EPC-DK20-G2-PP decking plank : 20mm □ 137mm			
TITLE: 20' Container Loading—17 Pallet			
DRAWN BY: Lina.L	DATE: Jan 01, 2018	SCALE: 1:1	CONTACT: 1-404-691-6872
FILE: EPC-DK20-G2-PP.DWG			PRINTED:

Dimensions: Interior