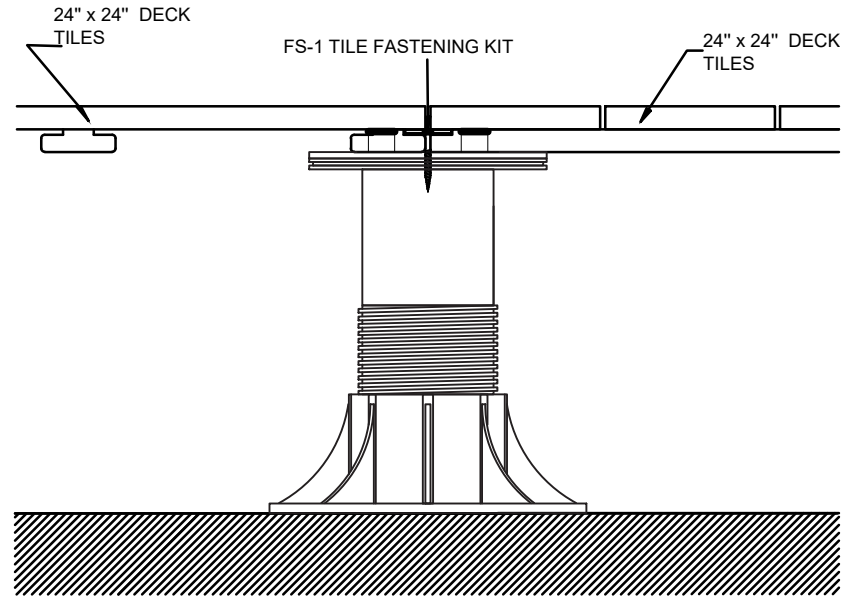
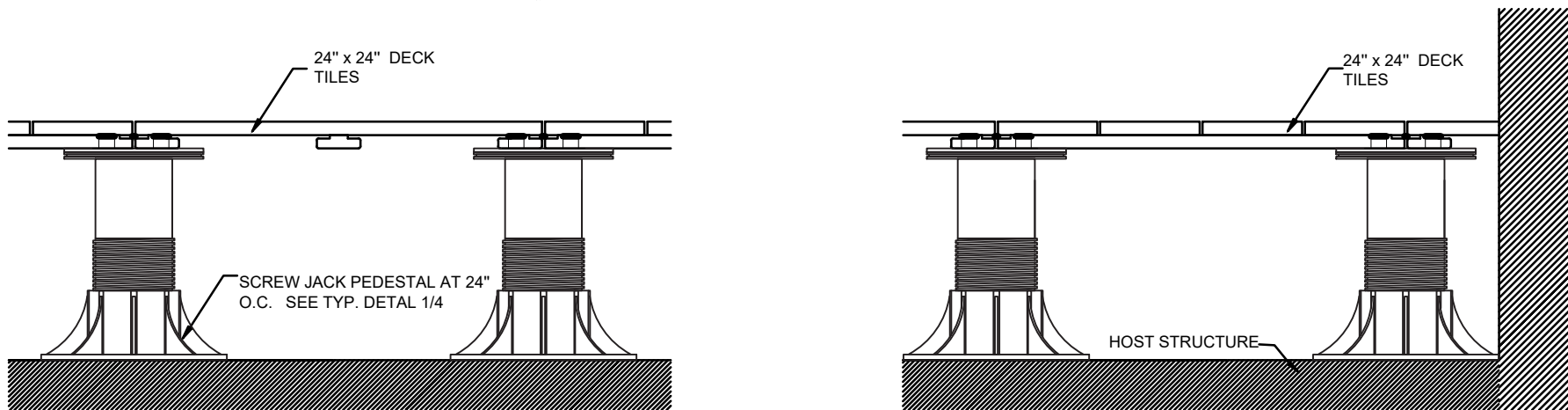


DECK TILES ON PEDESTALS



1 DECK TILES ATTACHMENT TO PEDESTAL DETAIL
2 SCALE: 3" = 1'-0"



2 DECK TILES SECTION DETAIL
2 SCALE: 2" = 1'-0"

REVISED BY: Lina.L	REVISE ON: REVISED DATE:
SAP V: dasso XTR	

PAGE NO: 2

dassoXTR
 Fused Bamboo® for Exterior Use
 6900 Boat Rock Blvd SW
 Atlanta, GA 30336
 www.dassoxt.com
 Tel: 1-404-691-6872

PRODUCT: Deck Tiles System			
TITLE: Deck Tiles On Pedestals			
DRAWN BY: Lina.L	DATE: Jan 01, 2020	SCALE: 1:1	CONTACT: 1-404-691-6872
FILE: EPC-DT20-224S-PP.DWG		PRINTED:	

Thickness tolerance: ±0.2mm
Width tolerance: ±0.2mm
length tolerance: ±1mm

DIFFERENT TYPE OF TOP HEAD



FOR 2" x 4" BEAM



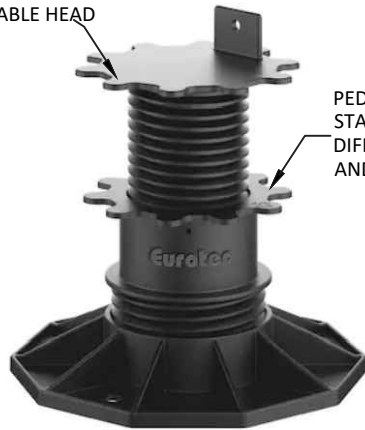
FOR DECK TILES



FOR ALUMINUM BEAM RAIL W/ CLIPS SYSTEM

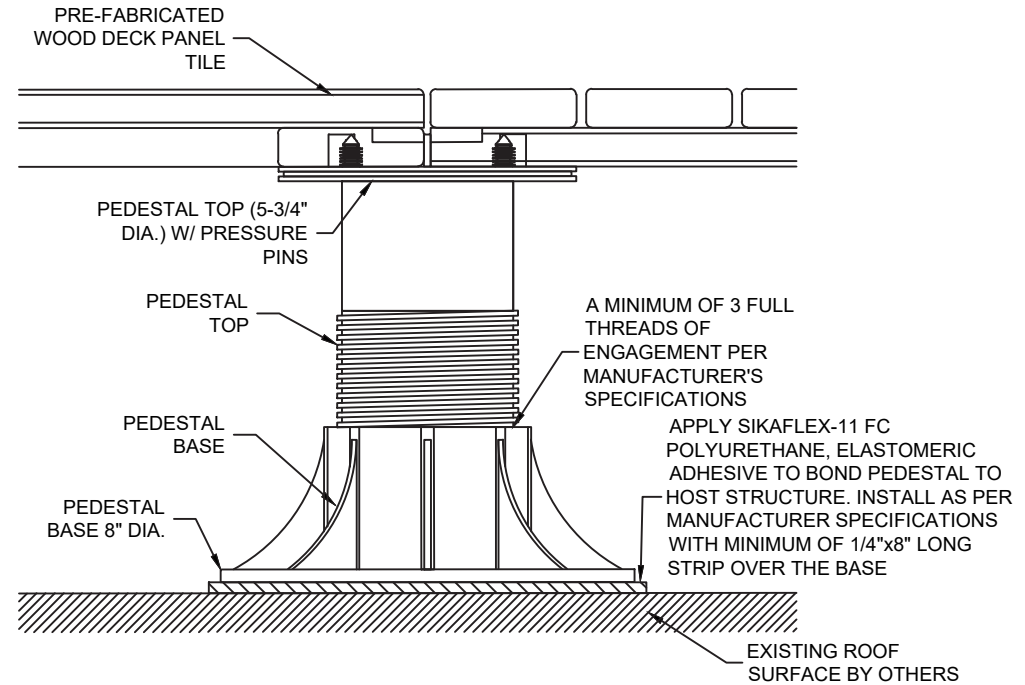
PEDESTAL NECK STAND

EXCHANGEABLE HEAD



PEDESTAL NECK STAND COMES IN DIFFERENT HEIGHT AND ADJUSTABLE

SLOPE CORRECTOR



1 GENERIC PEDESTAL SYSTEM
3 SCALE: N.T.S.

2 PEDESTAL ASSEMBLY DETAIL
3 SCALE: N.T.S.

REVISED BY: Lina.L REVISED DATE: SAP-VI: dasso XTR	REVISE ON: PAGE NO.: 3	Fused Bamboo® for Exterior Use 6000 Boat Rock Blvd SW Atlanta, GA 30336 www.dassoxt.com Tel: 1-404-691-6872	PRODUCT: Pedestal System TITLE: Pedestal System DRAWN BY: Lina.L DATE: Jan 01, 2020 SCALE: 1:1 CONTACT: 1-404-691-6872 FILE: EPC-DT20-224S-PP.DWG	Thickness tolerance: ±0.2mm Width tolerance: ±0.2mm length tolerance: ±1mm
---	---------------------------	---	--	--