
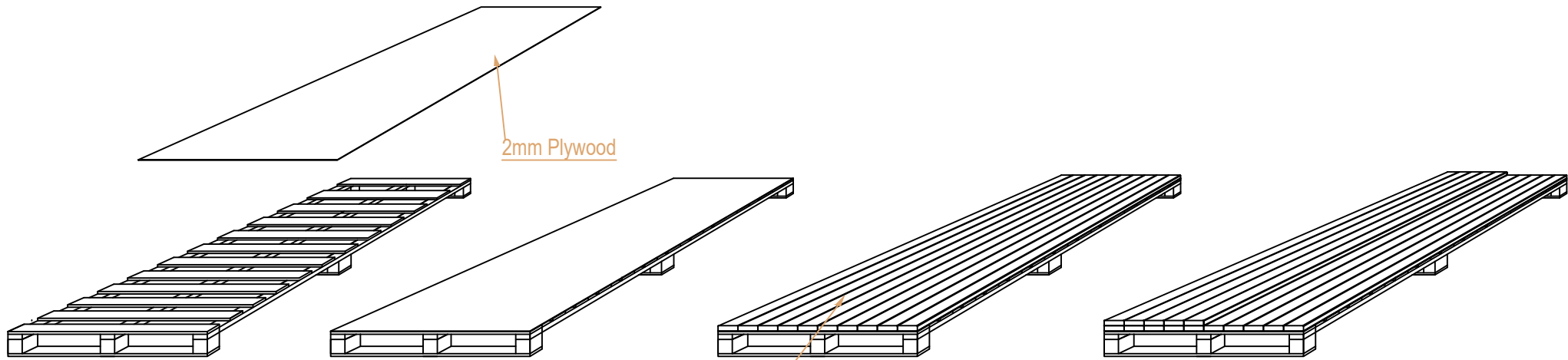


Front view

Back view

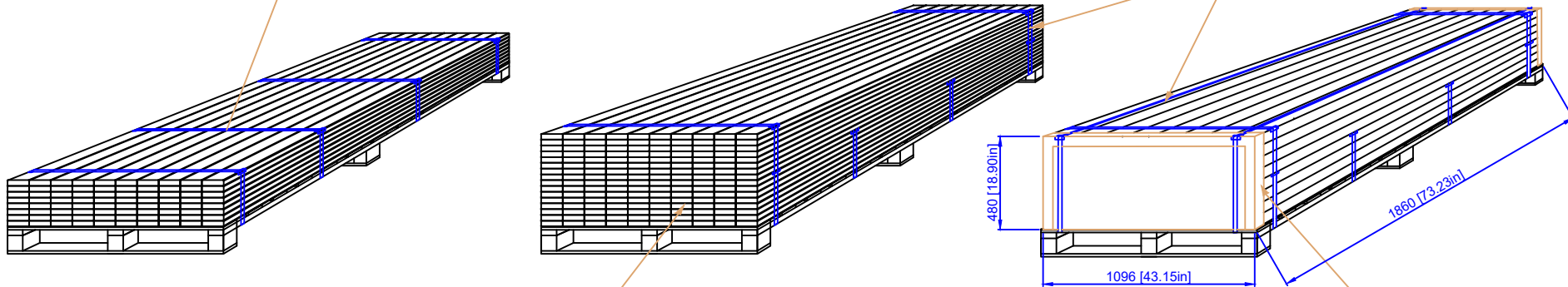
REVISED BY: Lina.L REVISED DATE:	REVISION:	PAGE NO:	 Fused Bamboo <sup>®</sup> for Exterior Use	PRODUCT: EPC-LUM30-100F-PP	Thickness tolerance: ±0.2mm
SAP V:	dasso XTR	6060 Boat Rock Blvd SW Atlanta, GA 30336 www.dassoxt.com Tel: 1-404-691-6872	TITLE: Bundle Dimension	DRAWN BY: Lina.L DATE: Jan 01, 2018 SCALE: 1:1 CONTACT: 1-404-691-6872	Width tolerance: ±0.2mm length tolerance: ±1mm
			FILE: EPC-LUM30-100F-PP.DWG	PRINTED:	



Layout: 10 rows / layer

There are 4 belts out of the pallet: after packaging the 4 belts, the wrap film is at least three layers and ensure full of the Slat.

There are 4 band in the middle of the pallet



REVISOR BY: Lina.L	REVISOR ON:
REVISOR DATE:	
SAP V:	
dasso XTR	

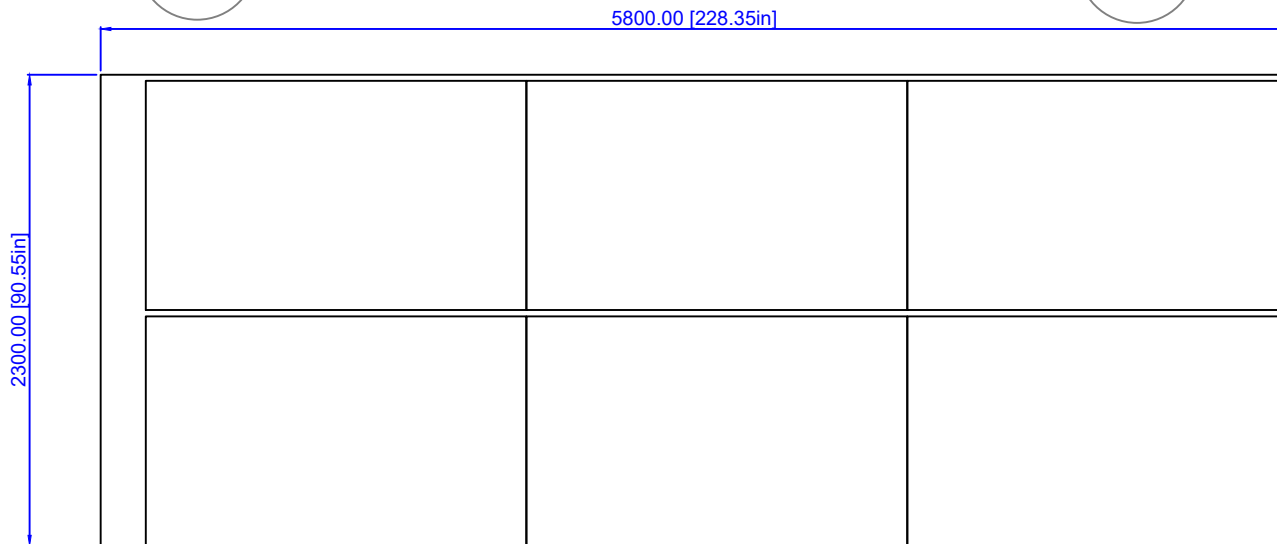
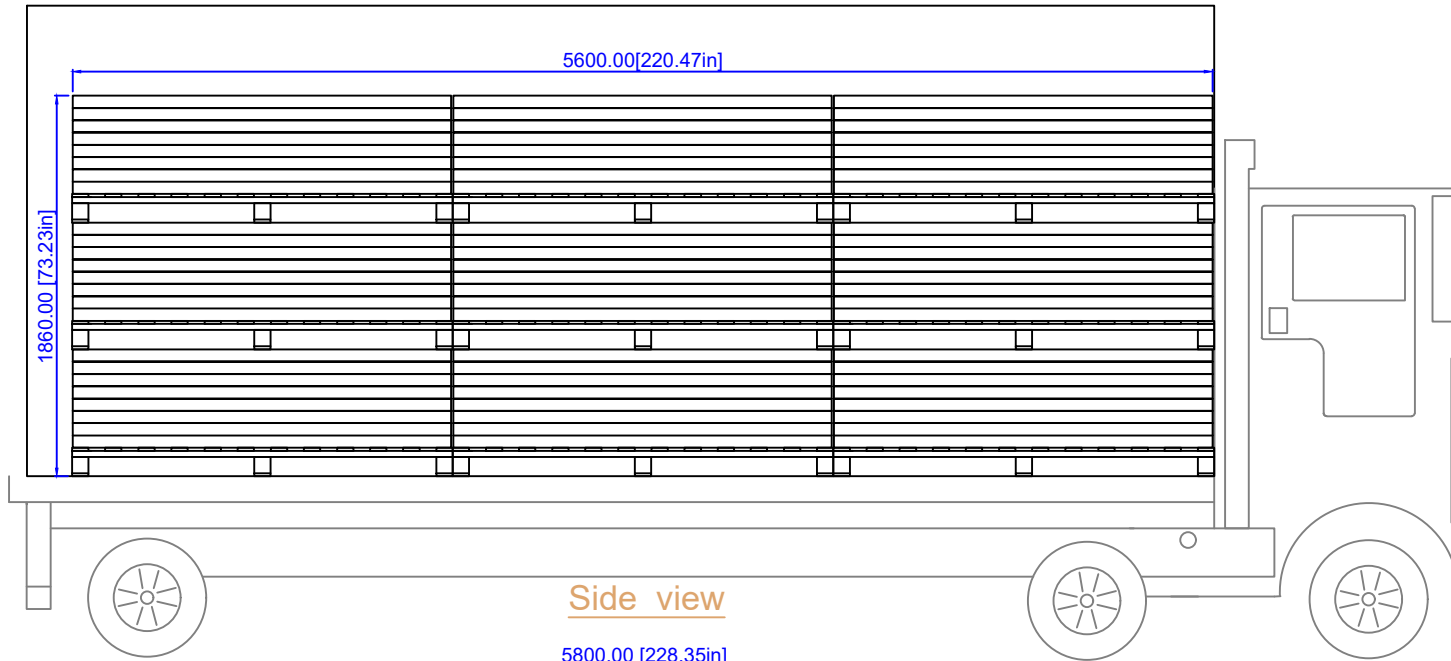
PAGE NO.:
-----------

**dassoXTR**  
Fused Bamboo® for Exterior Use

6080 Boat Rock Blvd SW  
Atlanta, GA 30336  
www.dassoxt.com  
Tel: 1-404-691-6872

PRODUCT: EPC-LUM30-100F-PP			
TITLE: Pallet Layout			
DRAWN BY: Lina.L	DATE: Jan 01, 2019	SCALE: 1:1	CONTACT: 1-404-691-6872
FILE: EPC-LUM30-100F-PP.DWG		PRINTED:	

Thickness tolerance: ±1mm
Width tolerance: ±0.2mm
length tolerance: ±1mm



REVISED BY: Lina.L	REVISE ON: REVISED DATE:
SAP V:	
dasso XTR	

PAGE NO.:
-----------

**dassoXTR**  
Fused Bamboo® for Exterior Use

6060 Boat Rock Blvd SW  
Atlanta, GA 30336  
www.dassoxt.com  
Tel: 1-404-691-6872

PRODUCT: EPC-LUM30-100F-PP			
TITLE: 20' Container Loading—18 Pallet Max			
DRAWN BY: Lina.L	DATE: Jan 01, 2019	SCALE: 1:1	CONTACT: 1-404-691-6872
FILE: EPC-LUM30-100F-PP.DWG		PRINTED:	

Dimensions: Interior