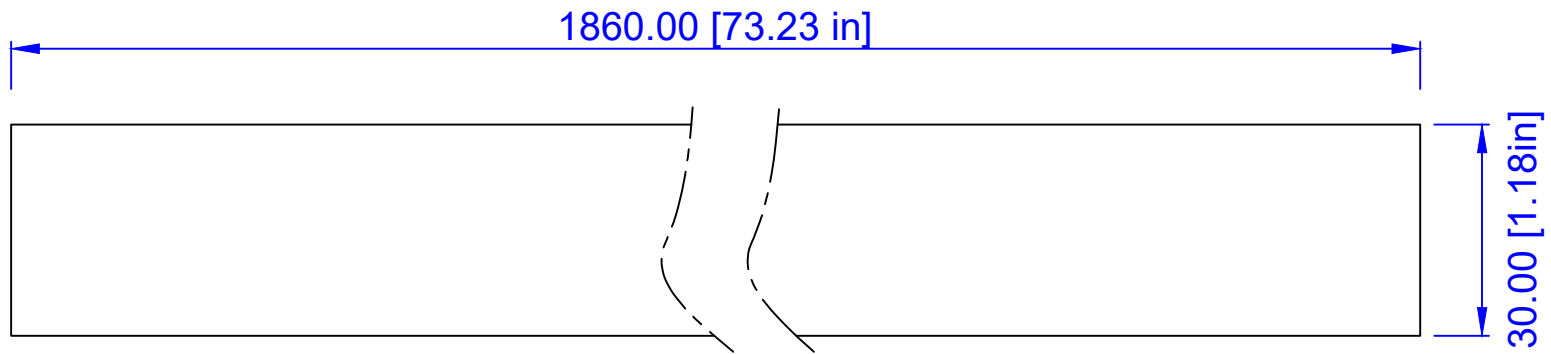

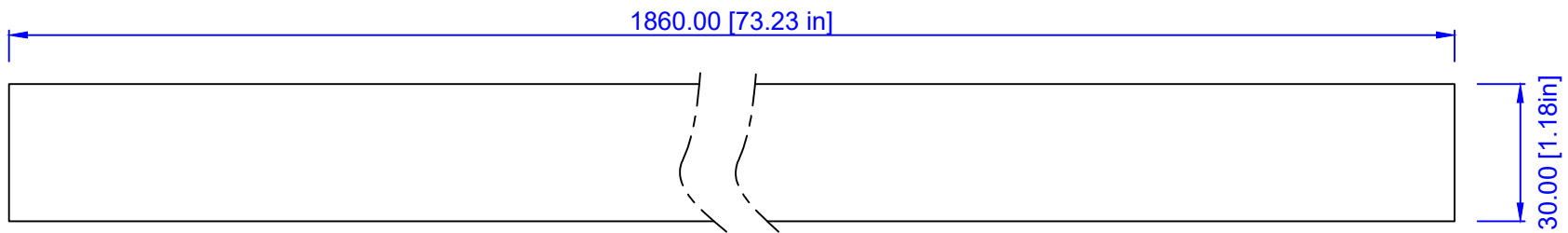
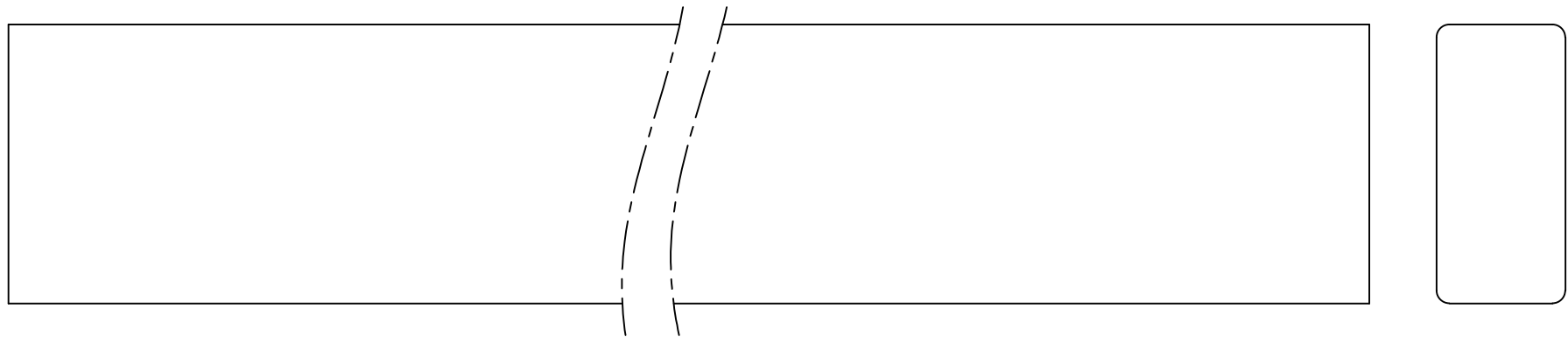
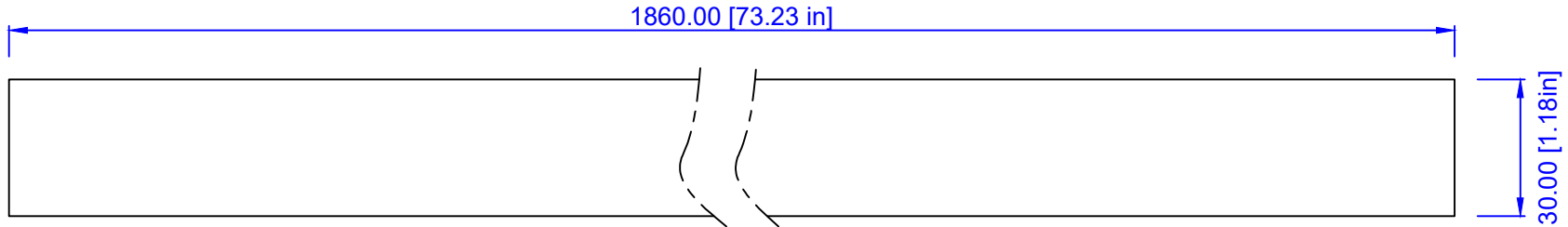


Short side outline: 30mm X 65mm



Long side outline: 30mm X 1860mm

REVISED BY: Lina.L REVISED DATE:	REVISE ON:	PAGE NO.:	PRODUCT: EPC-LUM30-65F-PP			Thickness tolerance: ±0.2mm
 Fused Bamboo® for Exterior Use			TITLE: Profile			Width tolerance: ±0.2mm
SAP V: dasso XTR			DRAWN BY: Lina.L DATE: Jan 01, 2019 SCALE: 1:1 CONTACT: 1-404-691-6872			length tolerance: ±1mm
6060 Boat Rock Blvd SW Atlanta, GA 30336 www.dassoxt.com Tel: 1-404-691-6872			FILE: EPC-LUM30-65F-PP.DWG			PRINTED:



REVISOR: Lina.L
REVISOR DATE:

REVISED ON:

PAGE NO.:

SAP V.:

dasso XTR



6060 Boat Rock Blvd SW
Atlanta, GA 30336
www.dassoxtr.com
Tel: 1-404-691-6872

PRODUCT: EPC-LUM30-65F-PP

TITLE: Overview

DRAWN BY: Lina.L

DATE: Jan 01, 2018

SCALE: 1:1

CONTACT: 1-404-691-6872

FILE: EPC-LUM30-65F-PP.DWG

PRINTED:

Thickness tolerance: ±0.2mm

Width tolerance: ±0.2mm

length tolerance: ±1mm