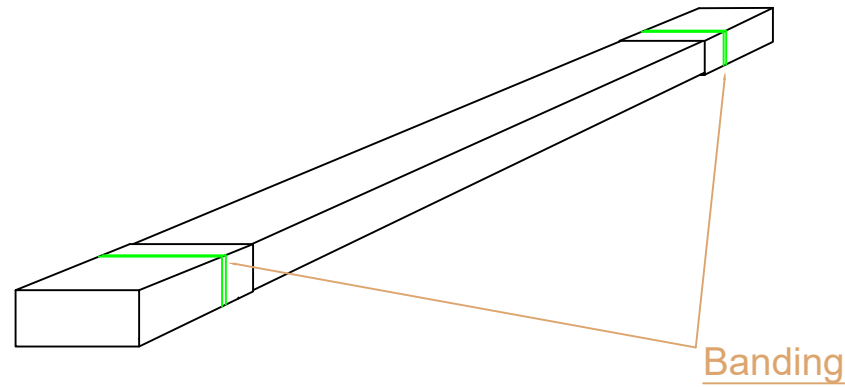
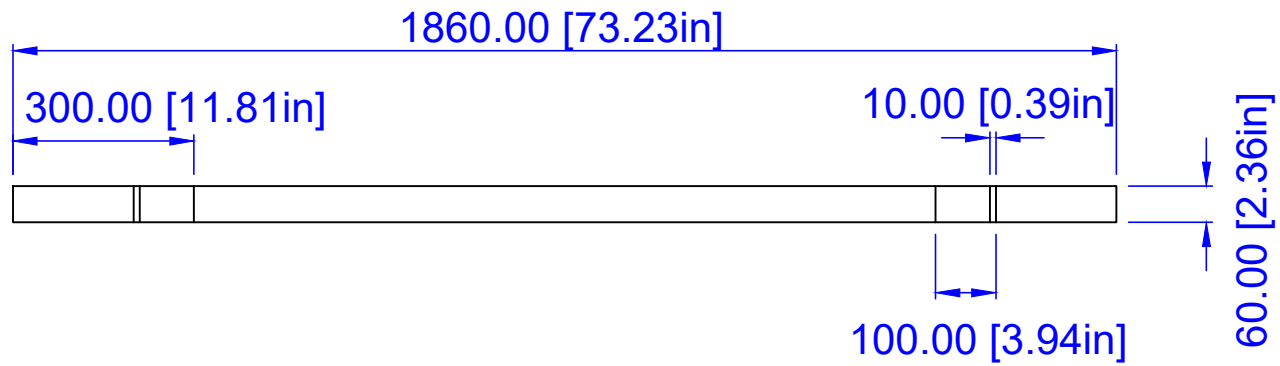


REVISED BY: Lina.L	REVISE ON:	PAGE NO.:
REVISED DATE:		
SAP V:	dasso XTR	



PRODUCT: EPC-PW18-118F-PP				Thickness tolerance: ±0.2mm
TITLE: Wood Pallet Type 1120				Width tolerance: ±0.2mm
DRAWN BY: Lina.L DATE: April 12, 2021 SCALE: 1:1 CONTACT: 1-404-691-6872				length tolerance: ±1mm
FILE: EPC-PW18-118F-PP.dwg				PRINTED:



REVISED BY: Lina.L

REVISE ON:

PAGE NO:

REVISED DATE:

SAP V:

dasso XTR



PRODUCT: EPC-PW18-118F-PP

TITLE: Bundle Dimension

DRAWN BY: Lina.L DATE: April 12, 2021 SCALE: 1:1 CONTACT: 1-404-691-6872

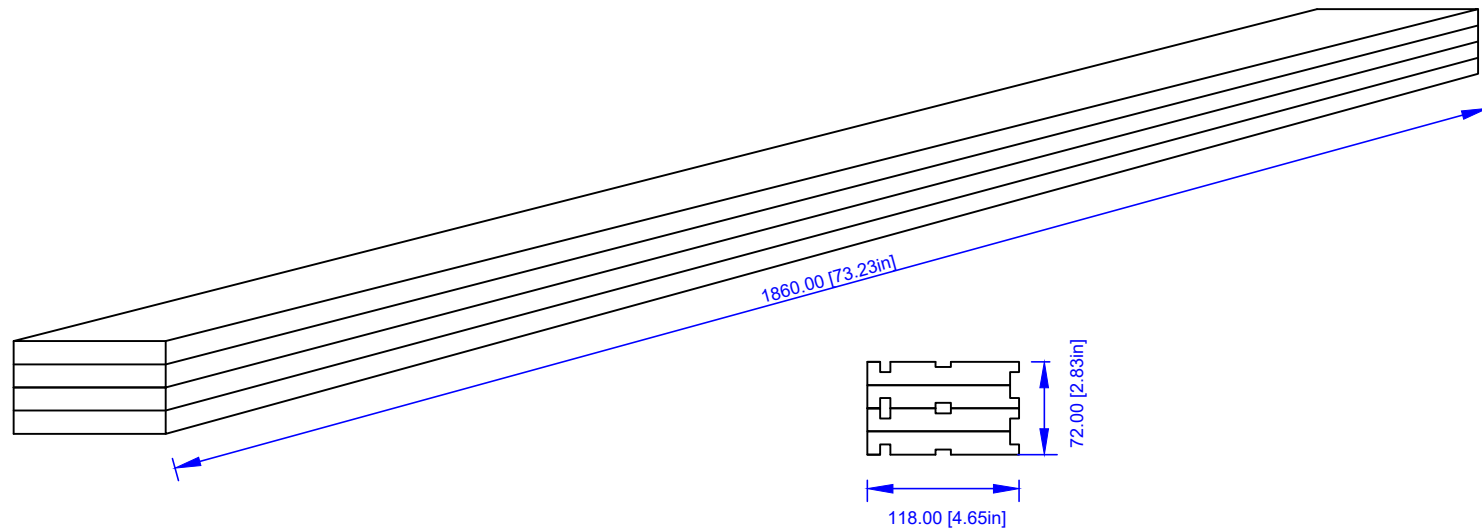
FILE: EPC-PW18-118F-PP.dwg

PRINTED:


Thickness tolerance: ±0.2mm

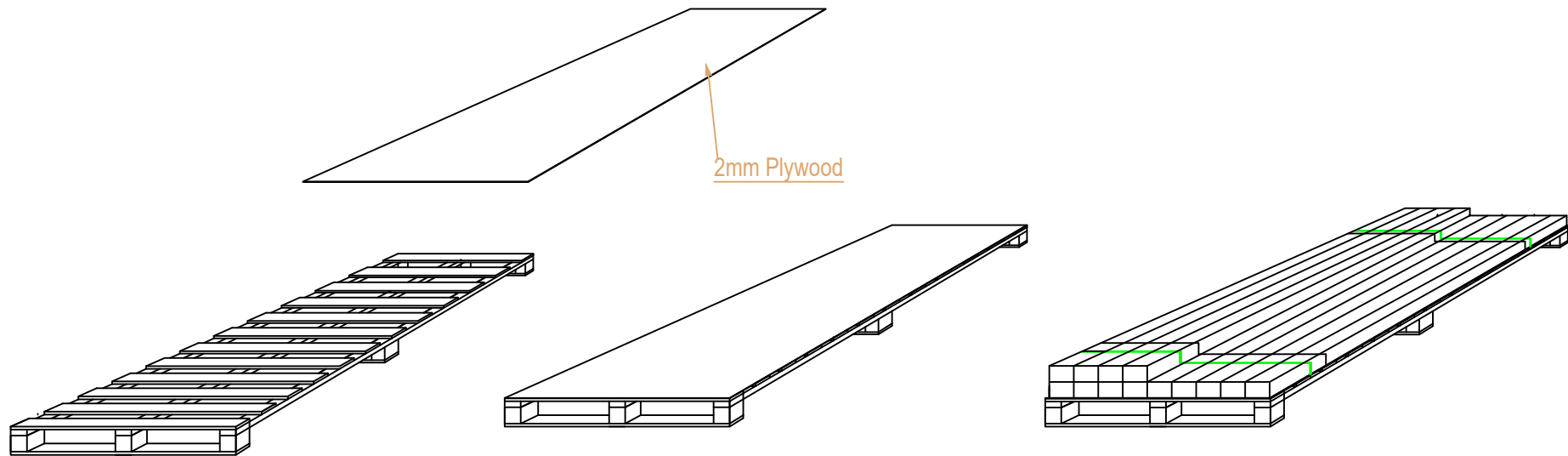
Width tolerance: ±0.2mm

length tolerance: ±1mm



Packaging layout: 1 rows X 4 layers, total 4 pcs

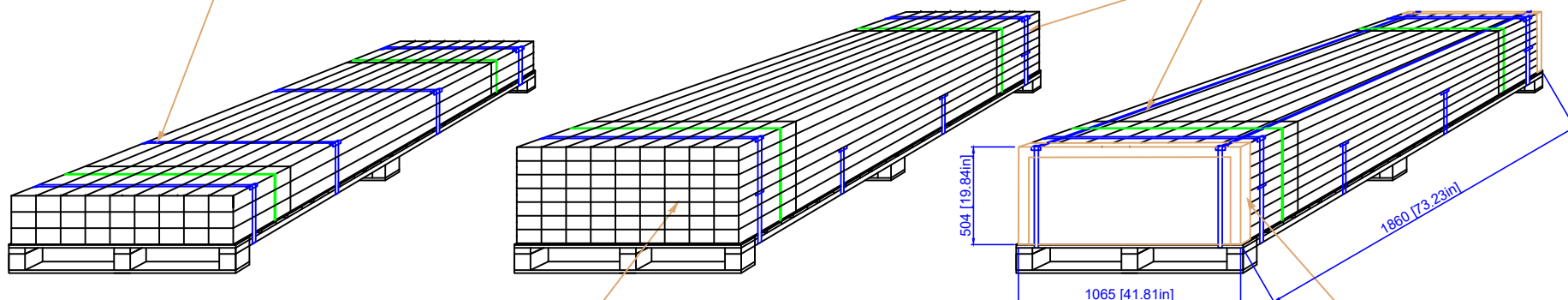
REVISED BY: Lina.L REVISION DATE:	REVISION ON:	PAGE NO:	PRODUCT: EPC-PW18-118F-PP			Thickness tolerance: $\pm 0.2\text{mm}$
 Fused Bamboo® for Exterior Use <small>6060 Boat Rock Blvd SW Atlanta, GA 30336 www.dassoxtf.com Tel: 1-404-691-6872</small>			TITLE: Packaging Layout			Width tolerance: $\pm 0.2\text{mm}$
SAP V: dasso XTR			DRAWN BY: Lina.L	DATE: April 12, 2021	SCALE: 1:1	CONTACT: 1-404-691-6872
			FILE: EPC-PW18-118F-PP.dwg			length tolerance: $\pm 1\text{mm}$
			PRINTED:			



2mm Plywood

There are 4 bands in the middle of the pallet

There are 4 belts out of the pallet: before packaging the 4 belts, the wrap film is at least three layers and ensure full of the decking.



Layout: 9 rows x 7 layers

Corner guard on each corner

REVISED BY: Lina.L
REVISOR DATE:

PAGE NO.:



PRODUCT: EPC-PW18-118F-PP

TITLE: Pallet Layout

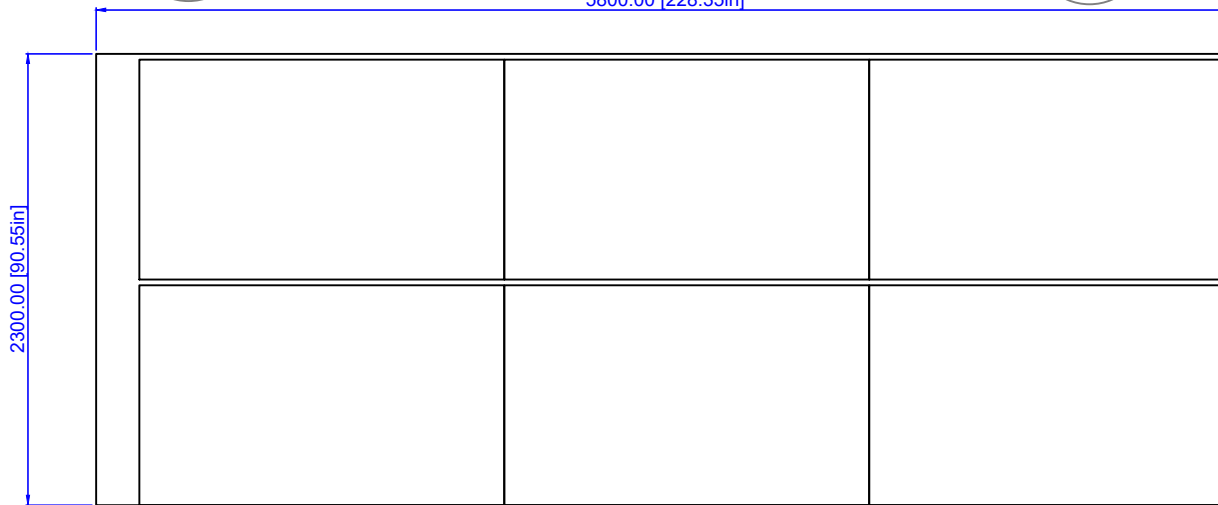
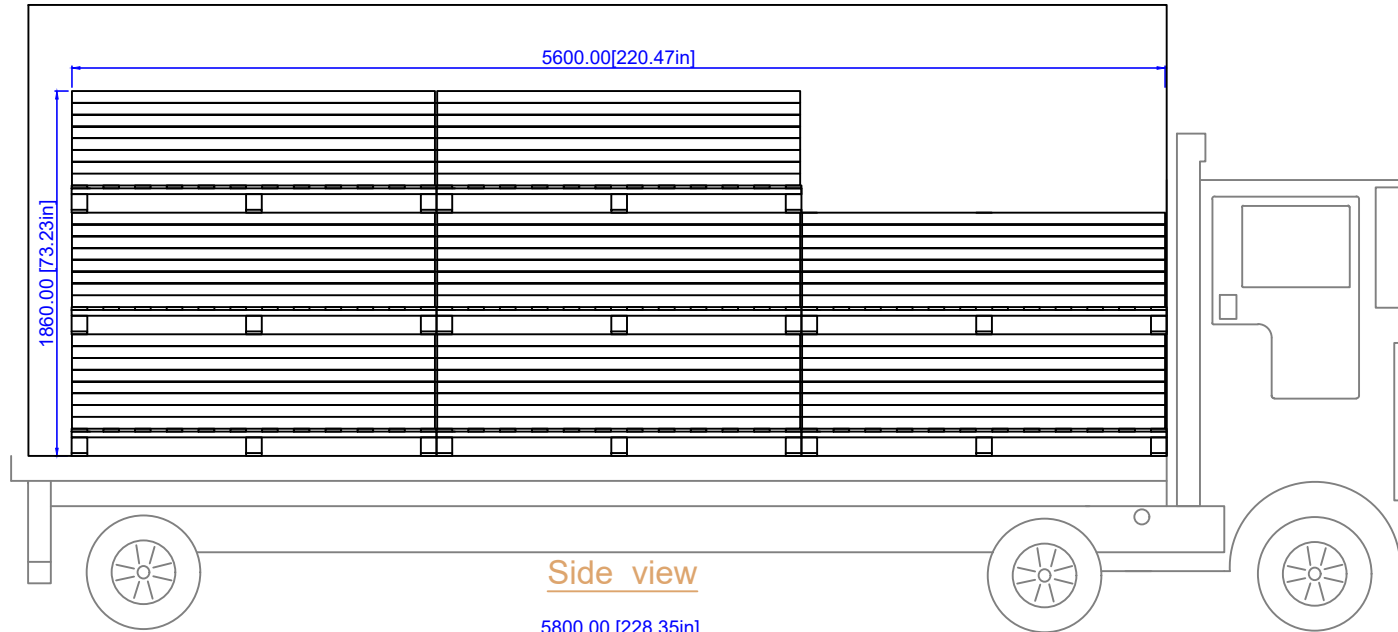
DRAWN BY: Lina.L DATE: April 12, 2021 SCALE: 1:1 CONTACT: 1-404-691-6872

FILE: EPC-PW18-118F-PP.dwg

PRINTED:

Thickness tolerance: $\pm 0.2\text{mm}$
Width tolerance: $\pm 0.2\text{mm}$
Length tolerance: $\pm 1\text{mm}$

SAP V:
dasso XTR



REVISED BY: Lina.L
REVISED DATE:

PAGE NO.:



6060 Boat Rock Blvd SW
Atlanta, GA 30336
www.dassoxttr.com
Tel: 1-404-691-6872

PRODUCT: EPC-PW18-118F-PP

TITLE: 20' Container Loading-17 Pallets

DRAWN BY: Lina.L | DATE: April 12, 2021 | SCALE: 1:1 | CONTACT: 1-404-691-6872

FILE: EPC-PW18-118F-PP.dwg

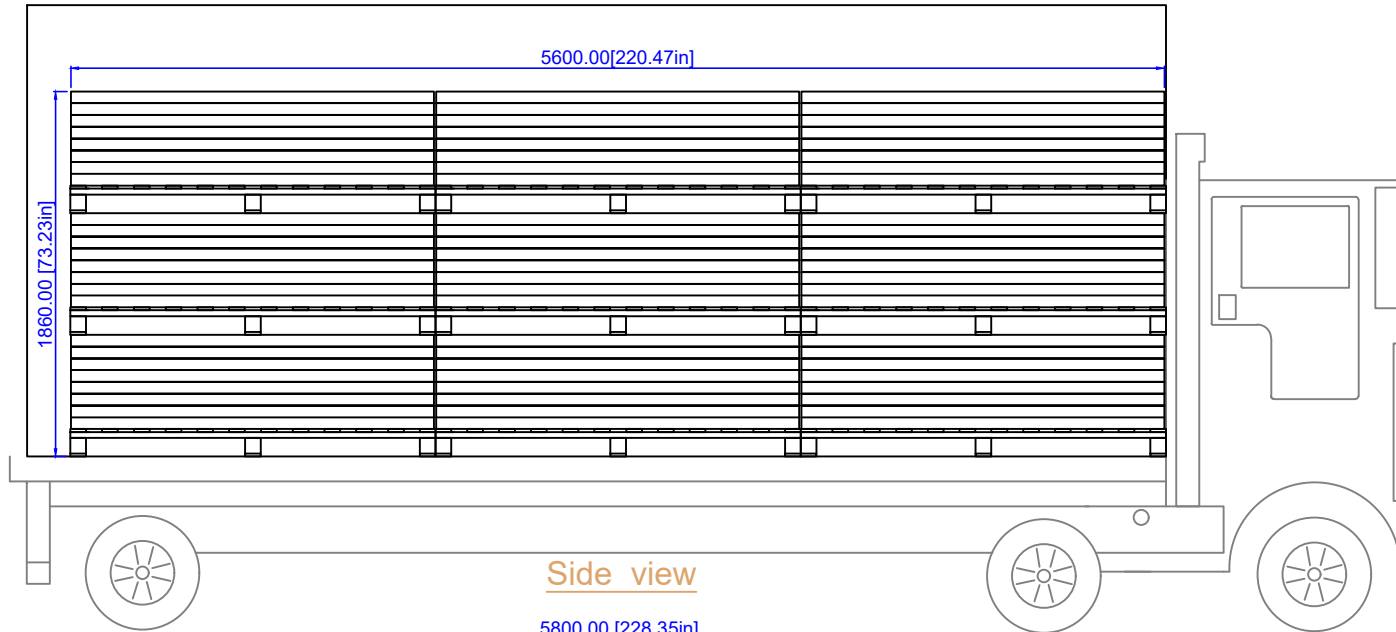
Thickness tolerance: ±0.2mm

Width tolerance: ±0.2mm

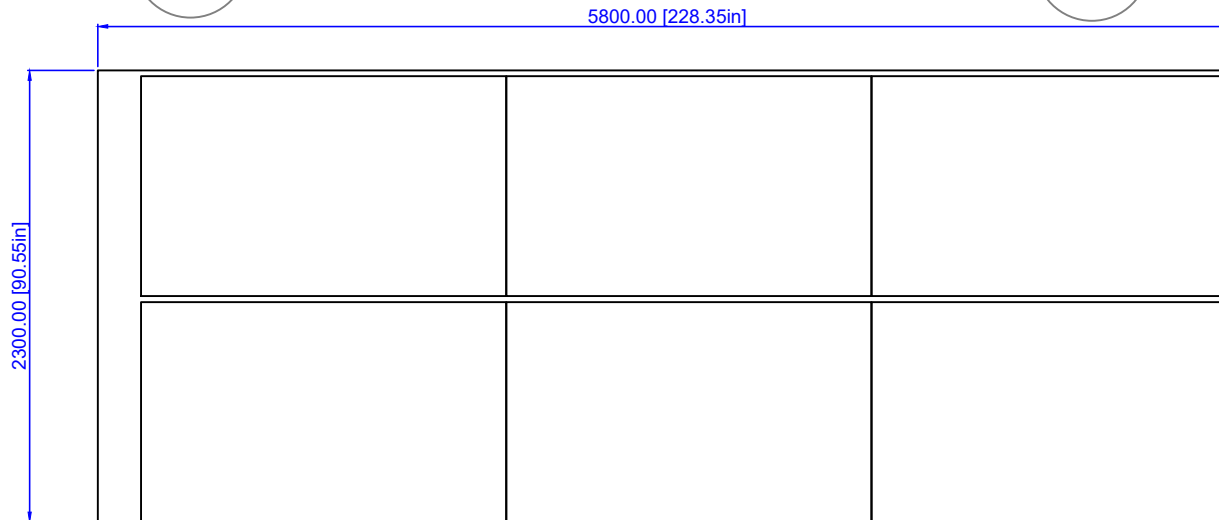
length tolerance: ±1mm

SAP V:
dasso XTR

PRINTED:



Side view



Top view

REVISED BY: Lina.L
REVISED DATE:

PAGE NO.:



6060 Boat Rock Blvd SW
Atlanta, GA 30336
www.dassoxt.com
Tel: 1-404-691-6872

SAP V:
dasso XTR

PRODUCT: EPC-PW18-118F-PP

TITLE: 20' Container Loading-18 Pallets max

DRAWN BY: Lina.L DATE: April 12, 2021 SCALE: 1:1 CONTACT: 1-404-691-6872

FILE: EPC-PW18-118F-PP.dwg

Thickness tolerance: ±0.2mm

Width tolerance: ±0.2mm

length tolerance: ±1mm

PRINTED: