

REVISOR:	REVISION:
Lina.L	
REVISION DATE:	
SAP V:	
dasso XTR	

PAGE NO.

dassoXTR
Fused Bamboo® for Exterior Use

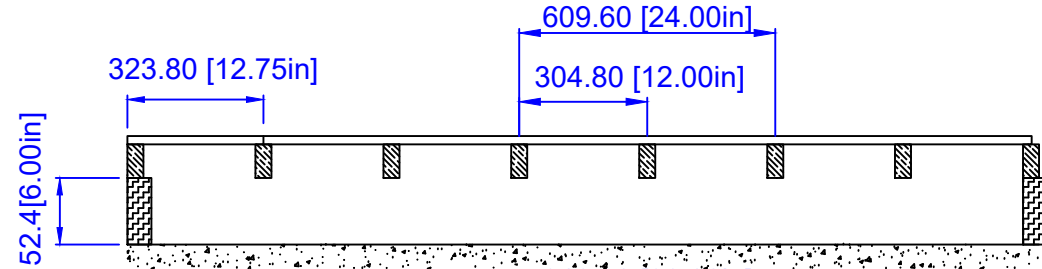
6060 Boat Rock Blvd SW
Atlanta, GA 30336
www.dassoxt.com
Tel: 1-404-691-6872

PRODUCT: EPC10-DK20-G1-PP	
TITLE: Decking Installation	
DRAWN BY: Lina.L	DATE: Jan 01, 2018
SCALE: 1:1	CONTACT: 1-404-691-6872
FILE: EPC10-DK20-G1-PP.DWG	PRINTED:

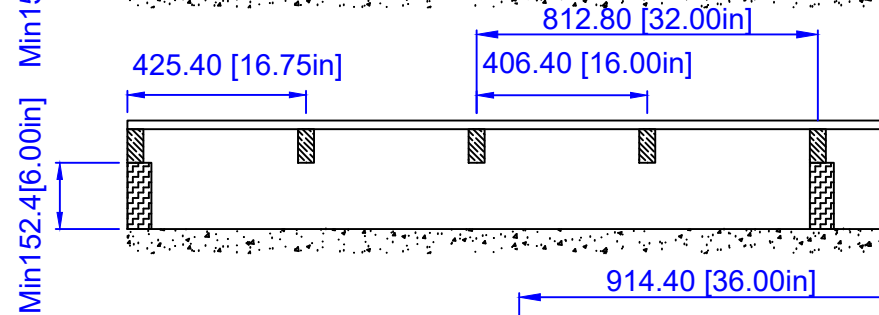
Thickness tolerance: ±0.2mm
length tolerance: ±1mm

Joist spacing option

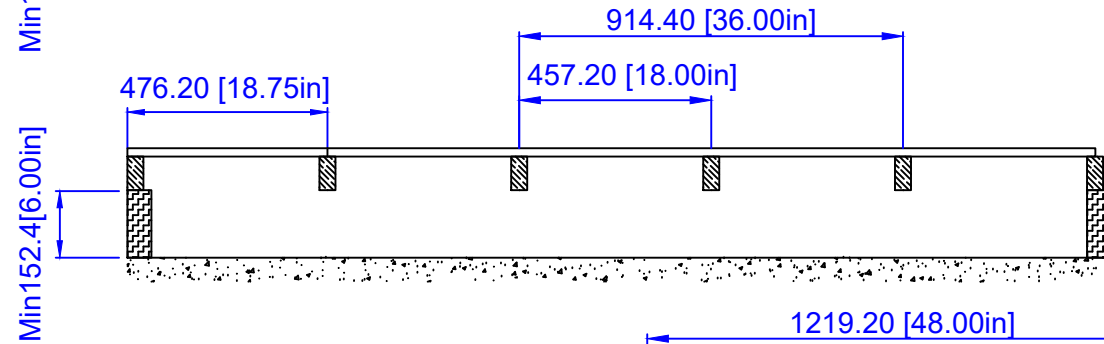
(a) 12" center to center



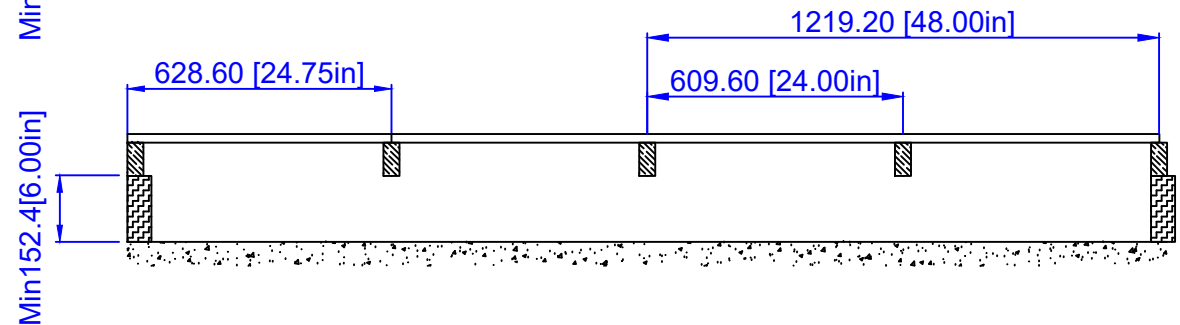
(b) 16" center to center



(c) 18" center to center



(d) 24" center to center



REVISOR:	REVISION:	PAGE NO.
Lina.L		
REVISOR:	REVISION:	
dasso XTR		

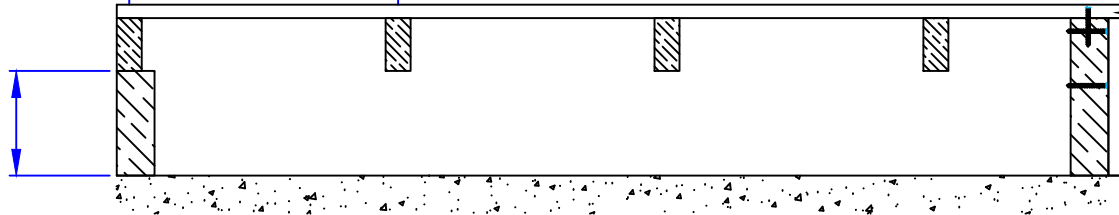


6060 Boat Rock Blvd SW
Atlanta, GA 30336
www.dassoxt.com
Tel: 1-404-691-6872

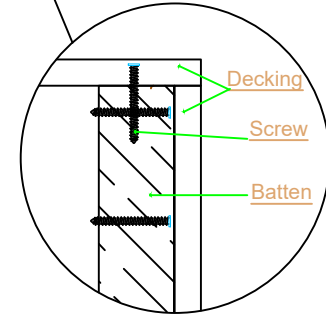
PRODUCT: EPC10-DK20-G1-PP		Thickness tolerance: $\pm 0.2\text{mm}$	
TITLE: Joist Spacing		length tolerance: $\pm 1\text{mm}$	
DRAWN BY: Lina.L	DATE: Jan 01, 2018	SCALE: 1:1	CONTACT: 1-404-691-6872
FILE: EPC10-DK20-G1-PP.DWG	PRINTED:		

Mmin 152.4 [6.00in]

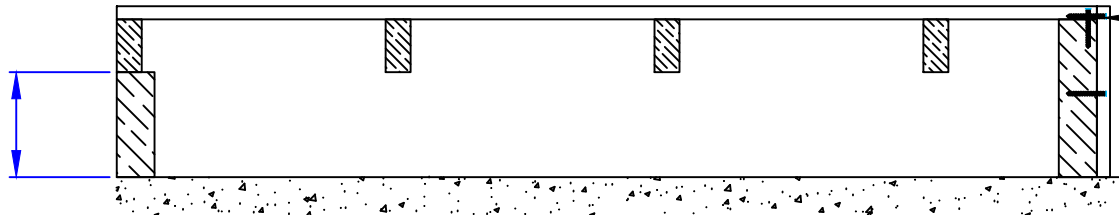
406.40 [16.00in]



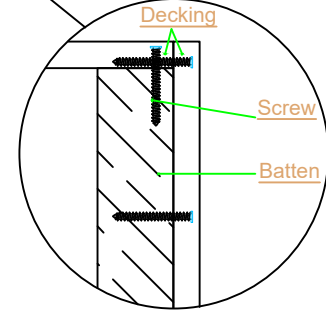
Option A



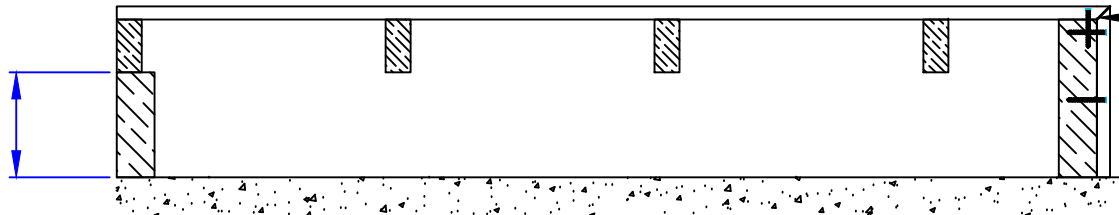
Min 152.4 [6.00in]



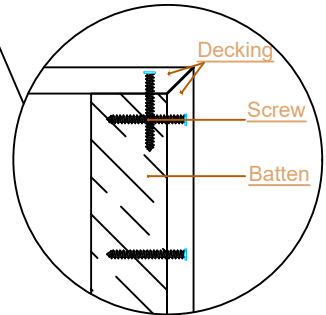
Option B



Min 152.4 [6.00in]



Option C



REVISED BY: Lina.L
REVISED DATE:

REVISE ON:

PAGE NO.:



6090 Bazel Rock Blvd SW
Atlanta, GA 30336
www.dassoxtf.com
Tel: 1-404-691-6872

PRODUCT: EPC10-DK20-G1-PP

TITLE: Decking Edges

DRAWN BY: Lina.L DATE: Jan 01, 2018

SCALE: 1:1

CONTACT: 1-404-691-6872

FILE: EPC10-DK20-G1-PP.DWG

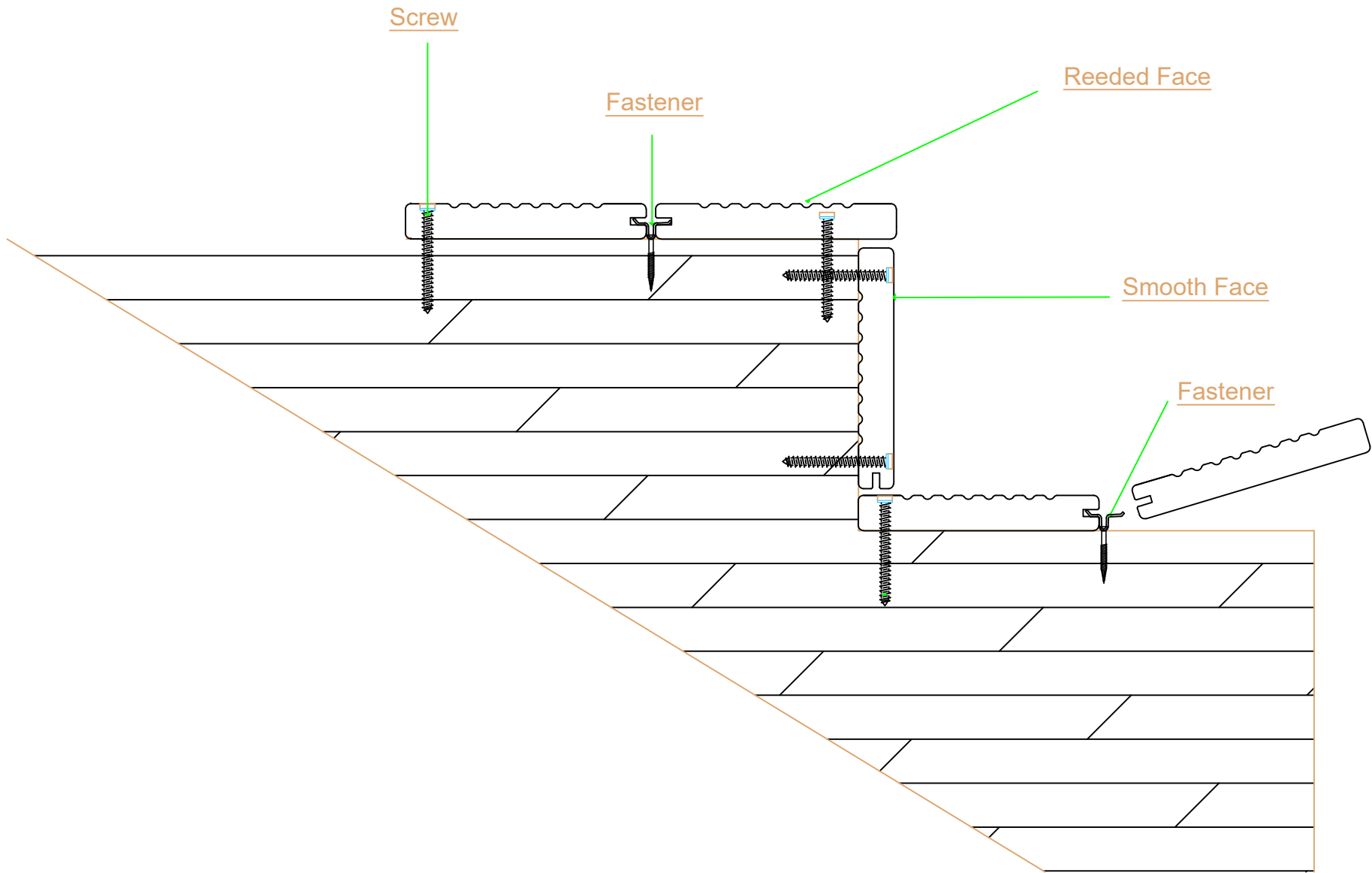
PRINTED:

Thickness tolerance: ±0.2mm

length tolerance: ±1mm

SAP V:

dasso XTR



REVISOR:	REVISION:	PAGE NO.:
Lina.L		
REVISOR:	REVISION:	PAGE NO.:
Lina.L		
SAP V:		
dasso XTR		



PRODUCT: EPC10-DK20-G1-PP			Dimensions: Interior		
TITLE: Stair Step Installation					
DRAWN BY: Lina.L	DATE: Jan 01, 2018	SCALE: 1:1	CONTACT: 1-404-691-6872		
FILE: EPC10-DK20-G1-PP.DWG			PRINTED:		