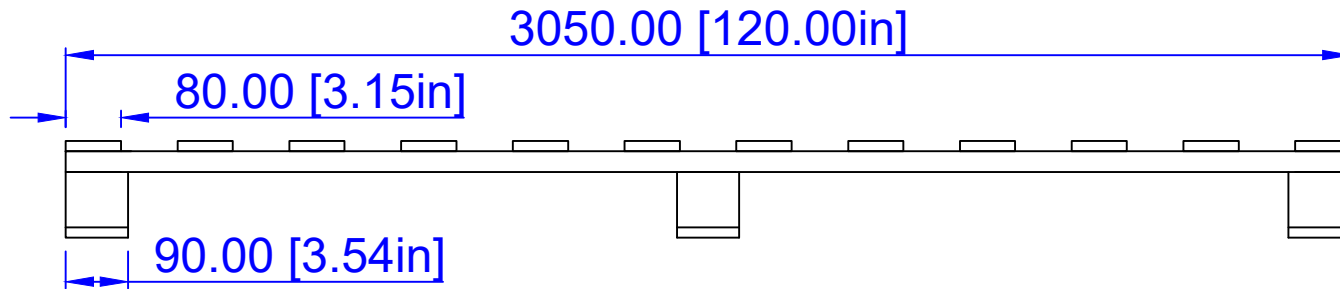


End view



Side view

REVISOR: Lina.L	REVISION: REVISED DATE:
dasso XTR	

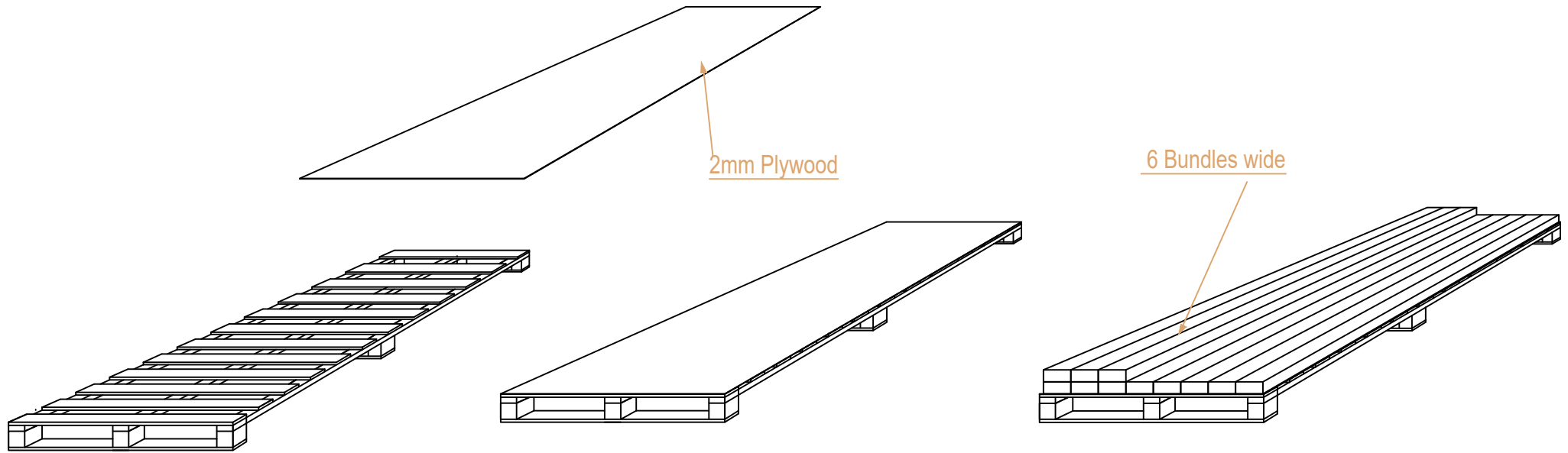
PAGE NO.

dassoXTR
Fused Bamboo™ for Exterior Use

6090 Boat Rock Blvd SW
Atlanta, GA 30336
www.dassoxt.com
Tel: 1-404-691-6872

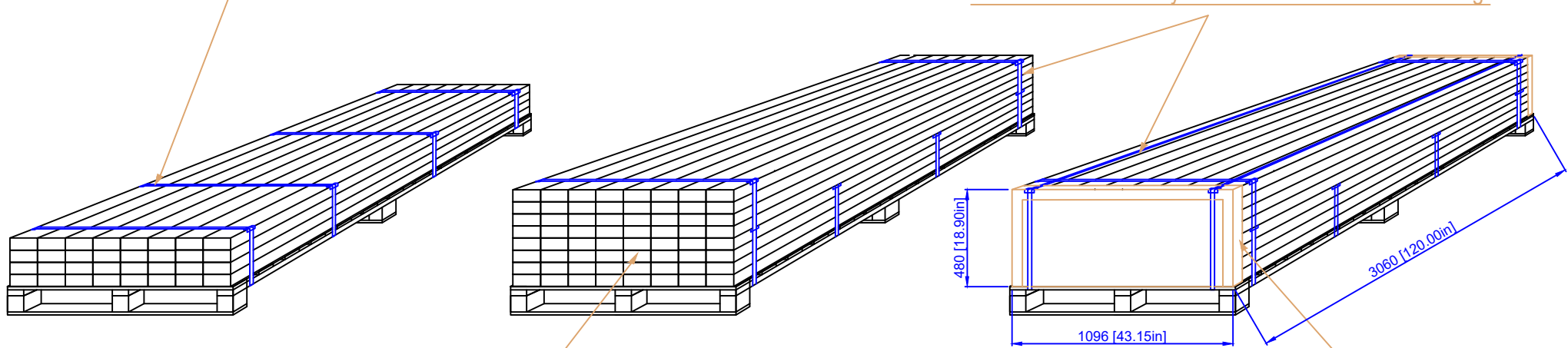
PRODUCT: Wood Pallet Type 1120			
TITLE: Wood Pallet Type 1120			
DRAWN BY: Lina.L	DATE: Jan 01, 2018	SCALE: 1:1	CONTACT: 1-404-691-6872
FILE: EPC10-DK20-G1-PP.DWG		PRINTED:	

Thickness tolerance: ±1mm
length tolerance: ±1mm



There are 4 band in the middle of the pallet

There are 4 belts out of the pallet: before packaging the 4 belts, the wrap film is at least three layers and ensure full of the decking.



Layout: 8 rows x 18 layers

Corner guard on each corner

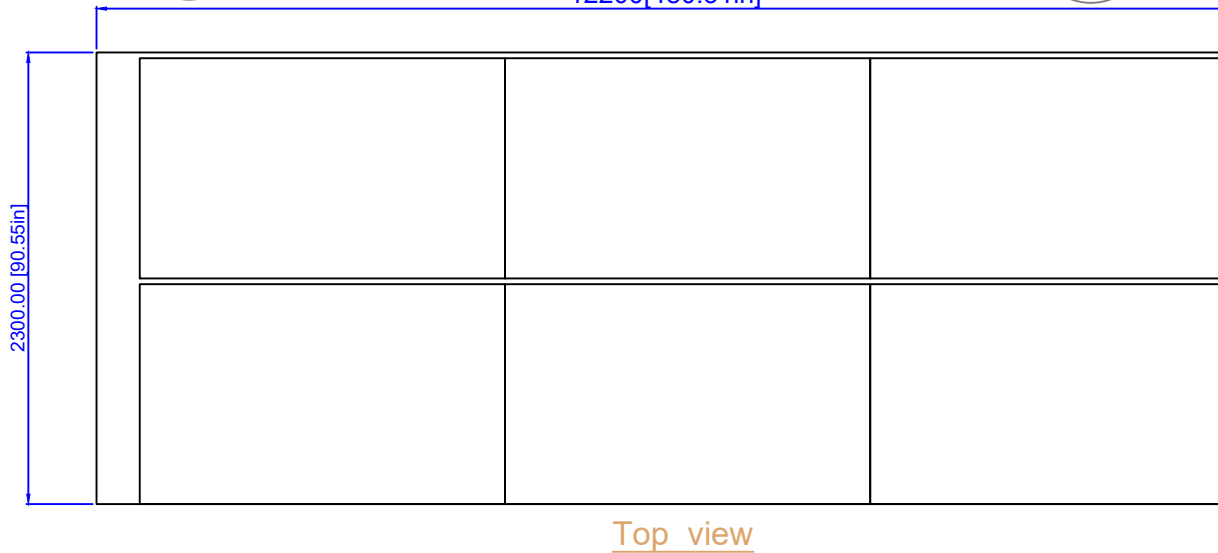
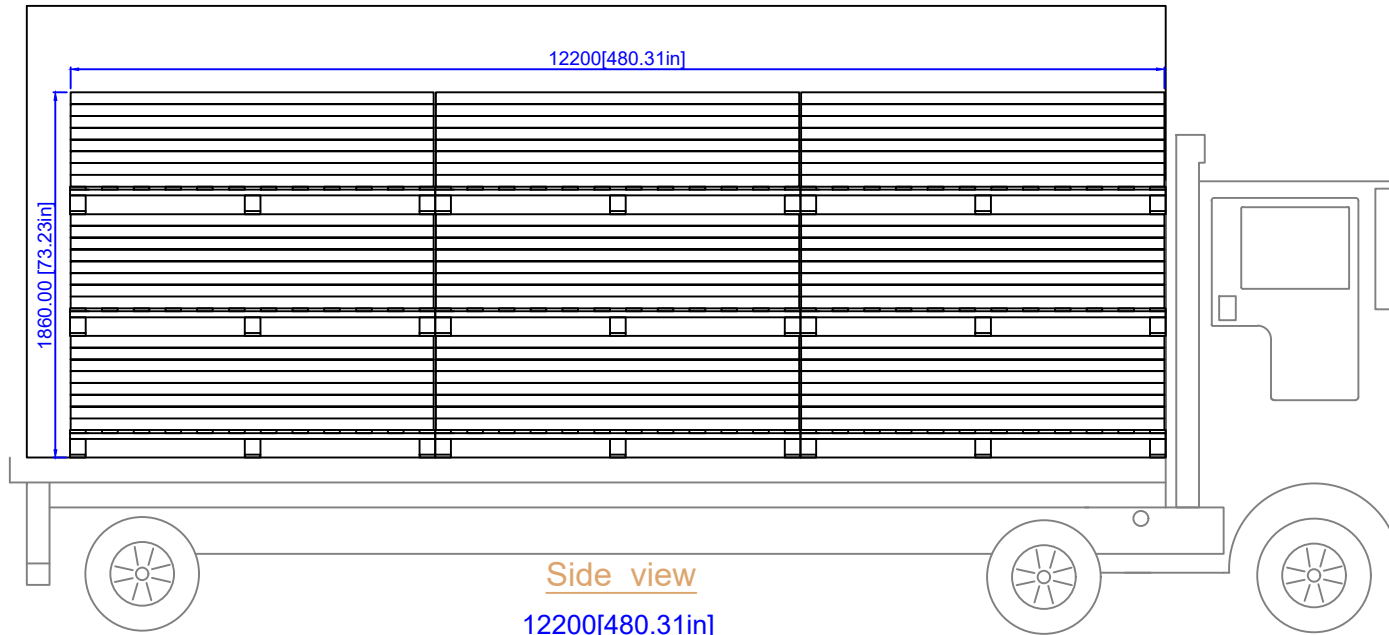
REVISOR: Lina.L	REVISION:	PAGE NO.:
REVISOR: dasso XTR		

dassoXTR
Fused Bamboo® for Exterior Use

6060 Boat Rock Blvd SW
Atlanta, GA 30336
www.dassoxt.com
Tel: 1-404-691-6872

PRODUCT: EPC10-DK20-G1-PP	THICKNESS TOLERANCE: ±1mm
TITLE: Pallet Layout	LENGTH TOLERANCE: ±1mm
DRAWN BY: Lina.L DATE: Jan 01, 2018 SCALE: 1:1	CONTACT: 1-404-691-6872
FILE: EPC10-DK20-G1-PP.DWG	PRINTED:

THICKNESS TOLERANCE: ±1mm
LENGTH TOLERANCE: ±1mm



REVISOR BY: Lina.L	REVISION ON:
REVISION DATE:	
SAP V:	
dasso XTR	

PAGE NO.:

dassoXTR
Fused Bamboo® for Exterior Use

6080 Boat Rock Blvd SW
Atlanta, GA 30336
www.dassoxt.com
Tel: 1-404-691-6872

PRODUCT: EPC10-DK20-G1-PP			
TITLE: 20' Container Loading—18 Pallet Max			
DRAWN BY: Lina.L	DATE: Jan 01, 2018	SCALE: 1:1	CONTACT: 1-404-691-6872
FILE: EPC10-DK20-G1-PP.DWG		PRINTED:	

Dimensions: Interior