

REVISOR:	REVISOR:	PAGE NO.:
Lina.L		
REVISOR DATE:		
SAP V:		
dasso XTR		

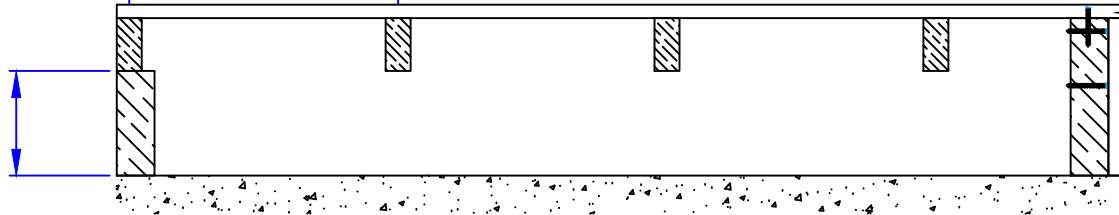
dassoXTR
Fused Bamboo® for Exterior Use

6060 Boat Rock Blvd SW
Atlanta, GA 30336
www.dassoxt.com
Tel: 1-404-691-6872

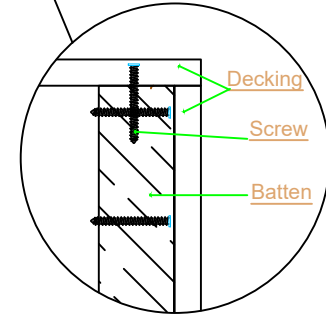
PRODUCT: EPC10-DK20-G2-PP			Thickness tolerance: ±0.2mm		
TITLE: Decking Installation			Width tolerance: ±0.2mm		
DRAWN BY: Lina.L			length tolerance: ±1mm		
DATE: Jan 01, 2018		SCALE: 1:1	CONTACT: 1-404-691-6872		
FILE: EPC10-DK20-G2-PP.DWG			PRINTED:		

Mmin 152.4 [6.00in]

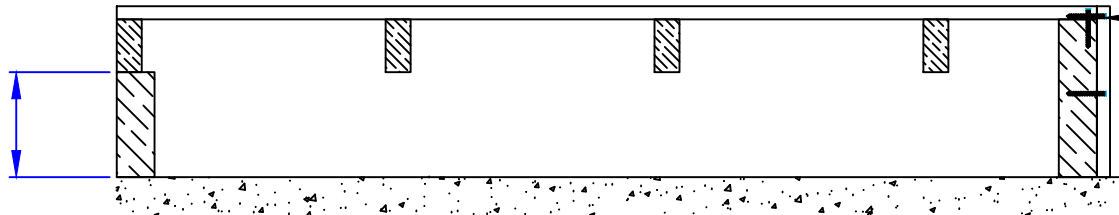
406.40 [16.00in]



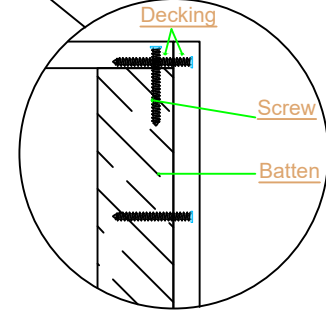
Option A



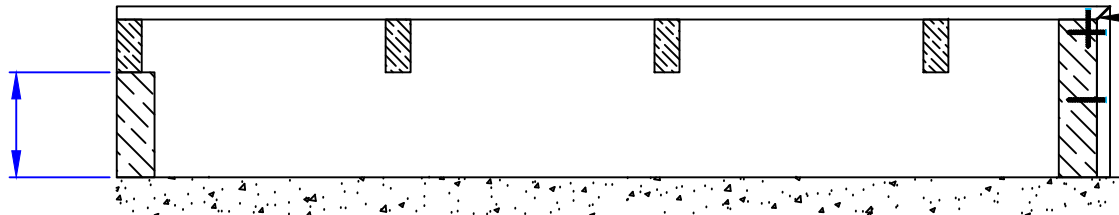
Min 152.4 [6.00in]



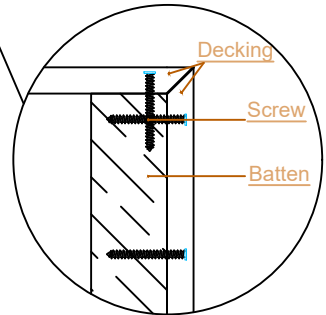
Option B



Min 152.4 [6.00in]



Option C



REVISOR: Lina.L

REVISION:

PAGE NO.:



6090 Babel Rock Blvd SW
 Atlanta, GA 30336
 www.dassoxtf.com
 Tel: 1-404-691-6872

PRODUCT: EPC10-DK20-G2-PP

TITLE: Decking Edges

DRAWN BY: Lina.L DATE: Jan 01, 2018

SCALE: 1:1

CONTACT: 1-404-691-6872

FILE: EPC10-DK20-G2-PP.DWG

PRINTED:

Thickness tolerance: ±0.2mm

Width tolerance: ±0.2mm

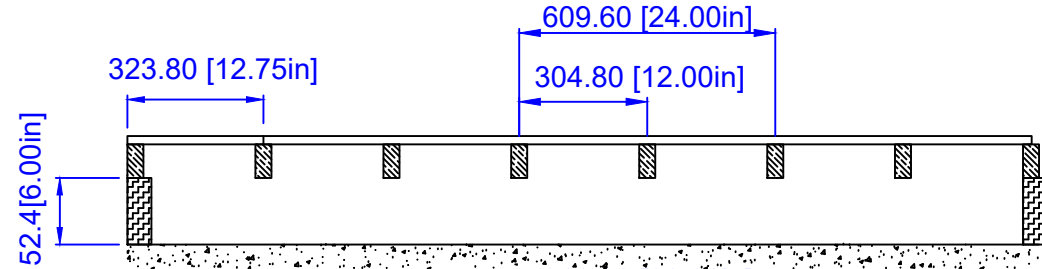
length tolerance: ±1mm

SAP V:

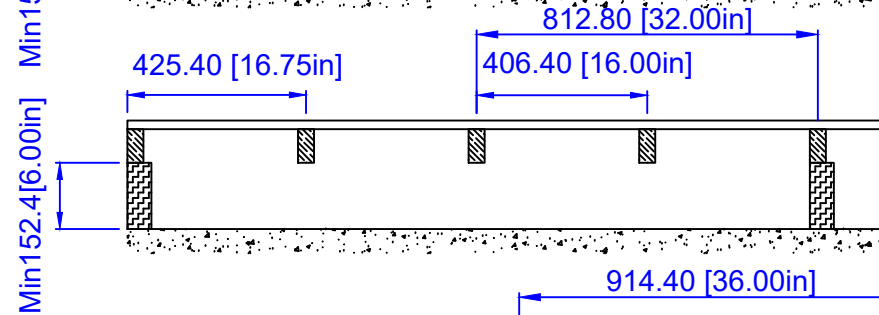
dasso XTR

Joist spacing option

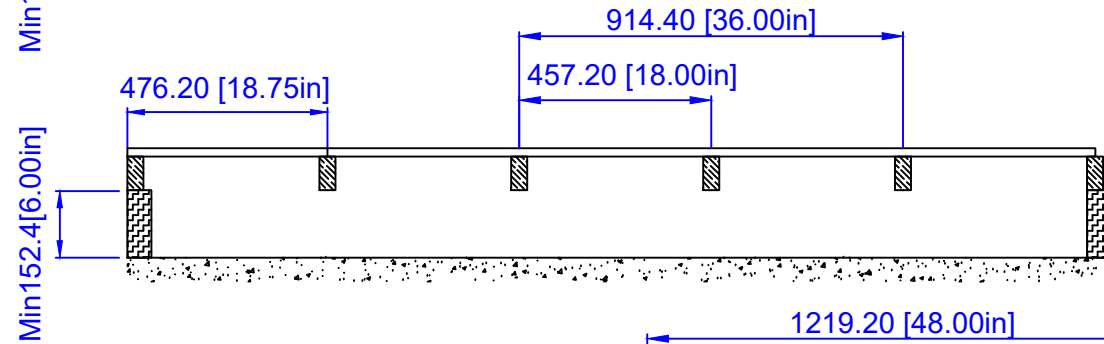
(a) 12" center to center



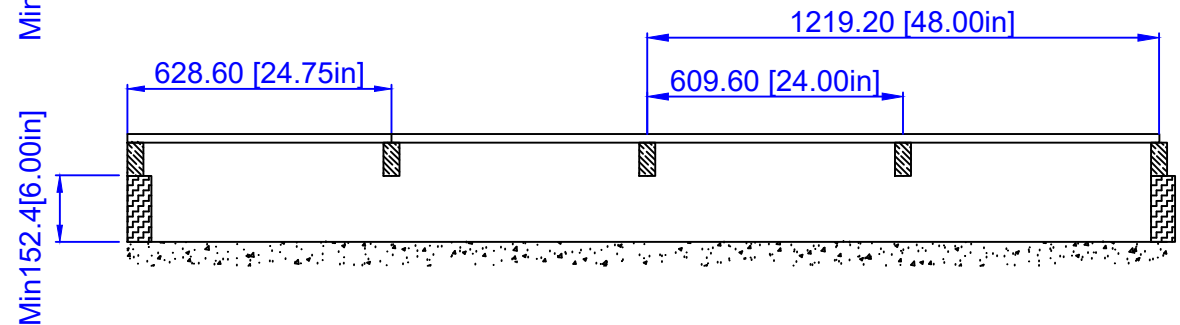
(b) 16" center to center



(c) 18" center to center



(d) 24" center to center



REVISOR:	REVISION:	PAGE NO.
Lina.L		
REVISOR:	REVISION:	
dasso XTR		



6060 Boat Rock Blvd SW
Atlanta, GA 30336
www.dassoxt.com
Tel: 1-404-691-6872

PRODUCT: EPC10-DK20-G2-PP

TITLE: Joist Spacing

DRAWN BY: Lina.L DATE: Jan 01, 2018

SCALE: 1:1

CONTACT: 1-404-691-6872

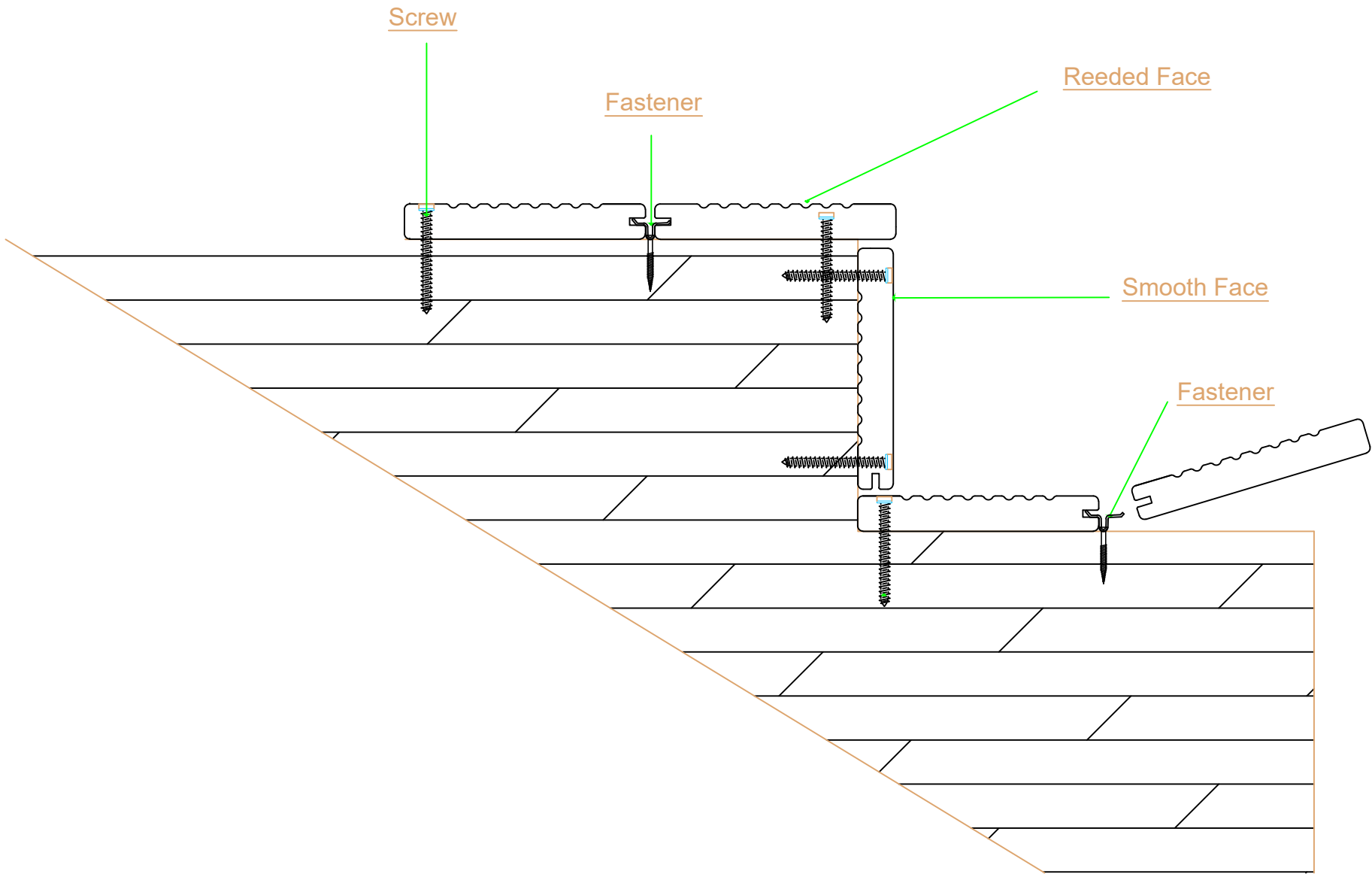
FILE: EPC10-DK20-G2-PP.DWG

PRINTED:

Thickness tolerance: $\pm 0.2\text{mm}$

Width tolerance: $\pm 0.2\text{mm}$

length tolerance: $\pm 1\text{mm}$



REVISOR:	REVISION:
Lina.L	
REVISOR:	REVISION:
SAP V.	
dasso XTR	

PAGE NO:



 Fused Bamboo® for Exterior Use

6060 Boat Rock Blvd SW
 Atlanta, GA 30336
 www.dassoxt.com
 Tel: 1-404-691-6872

PRODUCT: EPC10-DK20-G2-PP			
TITLE: Stair Step Installation			
DRAWN BY: Lina.L	DATE: Jan 01, 2018	SCALE: 1:1	CONTACT: 1-404-691-6872
FILE: EPC10-DK20-G2-PP.DWG		PRINTED:	

Dimensions: Interior