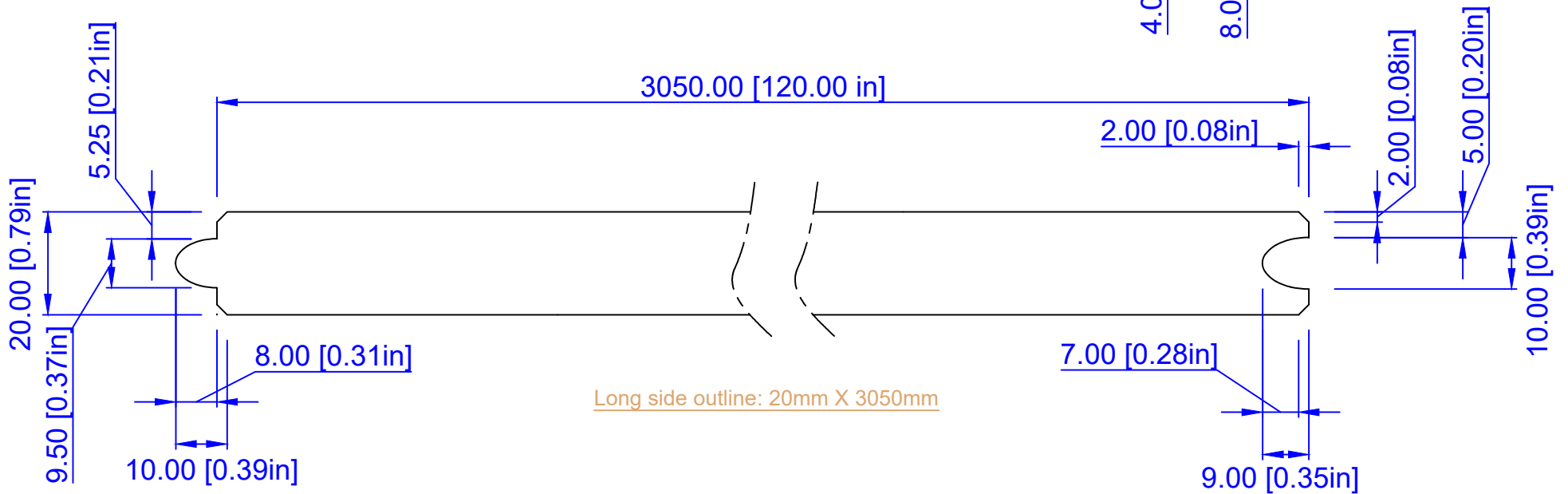


Short side outline: 20mm X 137mm



Long side outline: 20mm X 3050mm

REVISOR:	REVISION:
Lina.L	
REVISION DATE:	
SAP V:	
dasso XTR	

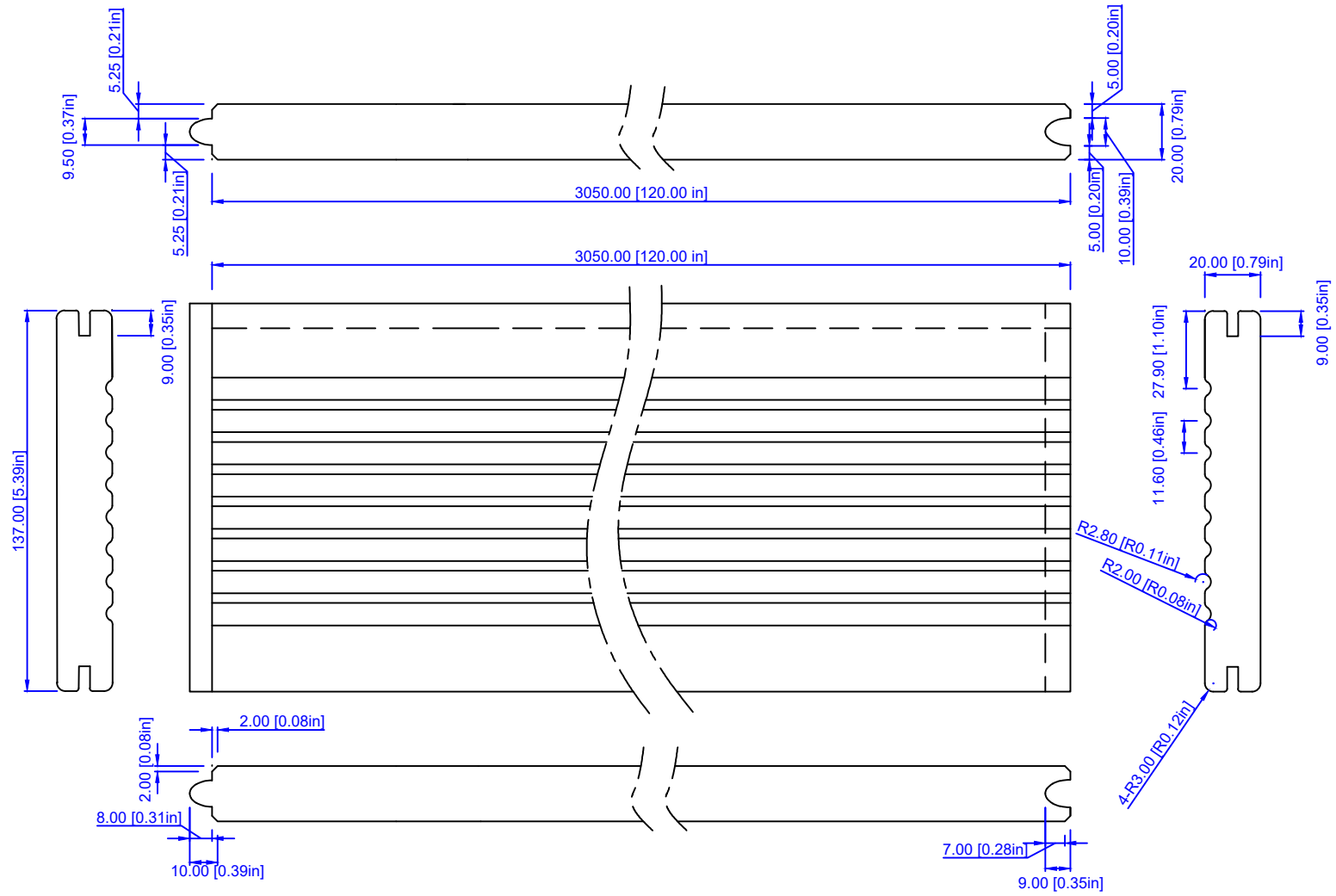
PAGE NO.

dassoXTR
Fused Bamboo® for Exterior Use

6060 Boat Rock Blvd SW
Atlanta, GA 30336
www.dassoxt.com
Tel: 1-404-691-6872

PRODUCT:	EPC10-DK20-G2-PP		
TITLE:	Profile		
DRAWN BY:	Lina.L	DATE:	Jan 01, 2018
SCALE:	1:1	CONTACT:	1-404-691-6872
FILE:	EPC10-DK20-G2-PP.DWG		
PRINTED:			

Thickness tolerance:	±0.2mm
Width tolerance:	±0.2mm
length tolerance:	±1mm



REVISOR: Lina.L
 REVISION: Lina.L
 REVISION DATE:
 SAP V:
 dasso XTR

PAGE NO:



PRODUCT: EPC10-DK20-G2-PP
 TITLE: Overview
 DRAWN BY: Lina.L DATE: Jan 01, 2018 SCALE: 1:1 CONTACT: 1-404-691-6872
 FILE: EPC10-DK20-G2-PP.DWG PRINTED:

Thickness tolerance: ±0.2mm
 Width tolerance: ±0.2mm
 length tolerance: ±1mm