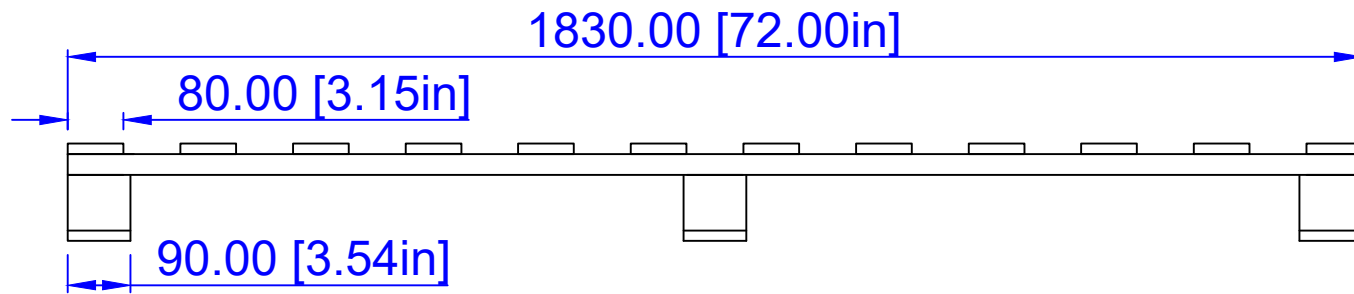


End view



Side view

REVISED BY: Lina.L
REVISED DATE:

PAGE NO:



6060 Boat Rock Blvd SW
Atlanta, GA 30336
www.dassoxt.com
Tel: 1-404-691-6872

PRODUCT: Wood Pallet Type 1120

TITLE: Wood Pallet Type 1120

DRAWN BY: Lina.L DATE: Jan 01, 2018

SCALE: 1:1

CONTACT: 1-404-691-6872

FILE: XTR-DK20-G1-PP.DWG

PRINTED:

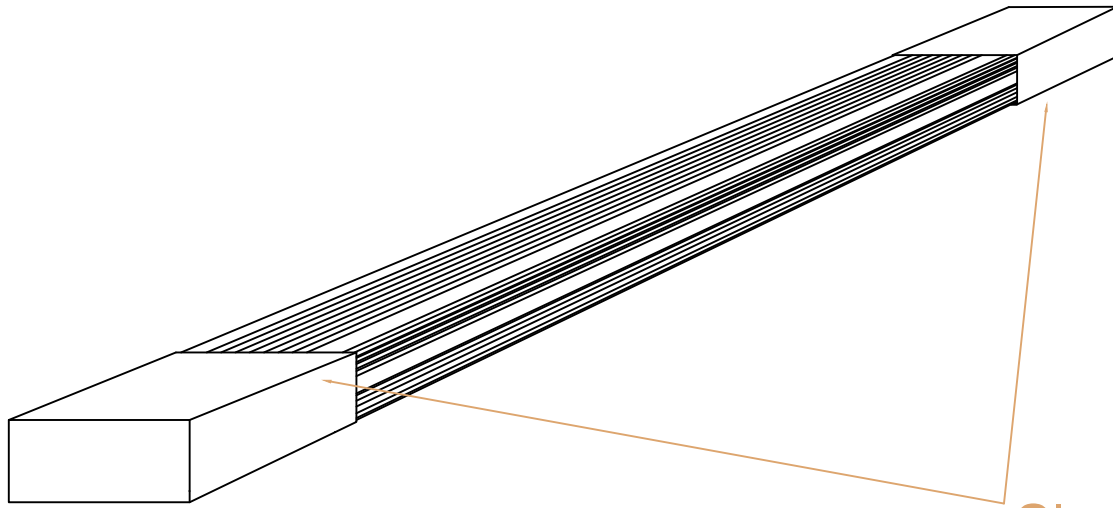
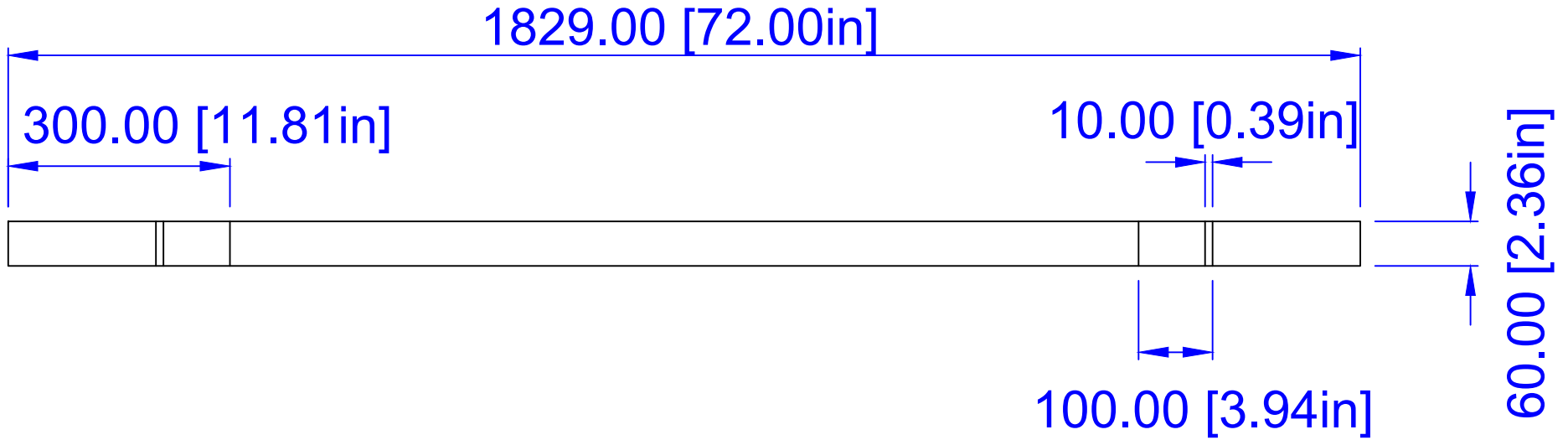
Thickness tolerance: ±1mm

Width tolerance: ±1mm


length tolerance: ±1mm

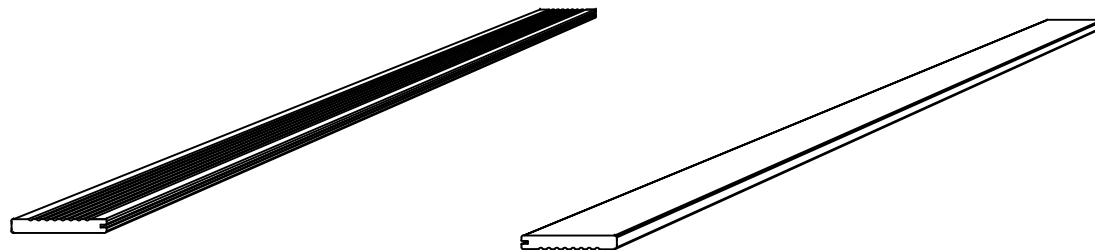
SAP V:

dasso XTR



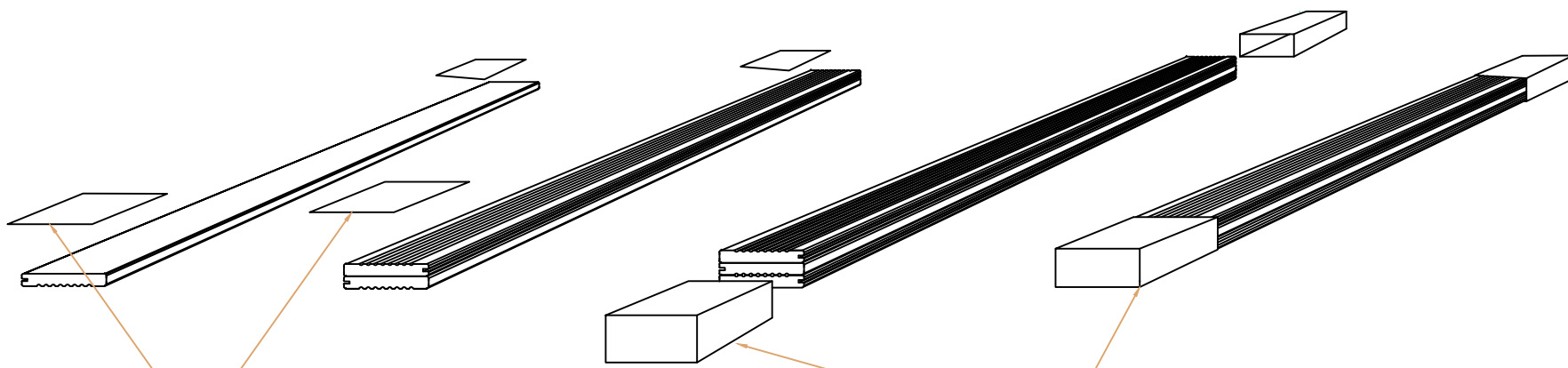
Sleeves and Plastic Package

REVISED BY: Lina.L REVISED DATE:	REVISION ON:	PAGE NO:	PRODUCT: XTR-DK20-G1-PP starter & boarder decking plank: 20mm x 137mm	Thickness tolerance: ±0.2mm
SAP V: dasso XTR	 <small>Fused Bamboo® for Exterior Use</small>	TITLE: Bundle Dimension	Width tolerance: ±0.2mm	length tolerance: ±1mm
6060 Boat Rock Blvd SW Atlanta, GA 30336 www.dassoxttr.com Tel: 1-404-691-6872			DRAWN BY: Lina.L DATE: Jan 01, 2018 SCALE: 1:1	CONTACT: 1-404-691-6872
			FILE: XTR-DK20-G1-PP.DWG	PRINTED:



Front view

Back view



Place in between each plank

Paper sleeves: place on each end of the plank

REVISED BY: Lina.L
REVISED DATE:

PAGE NO:



6060 Boat Rock Blvd SW
Atlanta, GA 30336
www.dassoxttr.com
Tel: 1-404-691-6872

PRODUCT: XTR-DK20-G1-PP starter boarder decking plank: 20mm x 137mm

TITLE: Decking Bundle Package Layo

DRAWN BY: Lina.L DATE: Jan 01, 2018 SCALE: 1:1 CONTACT: 1-404-691-6872

FILE: XTR-DK20-G1-PP.DWG

Thickness tolerance: ±0.2mm

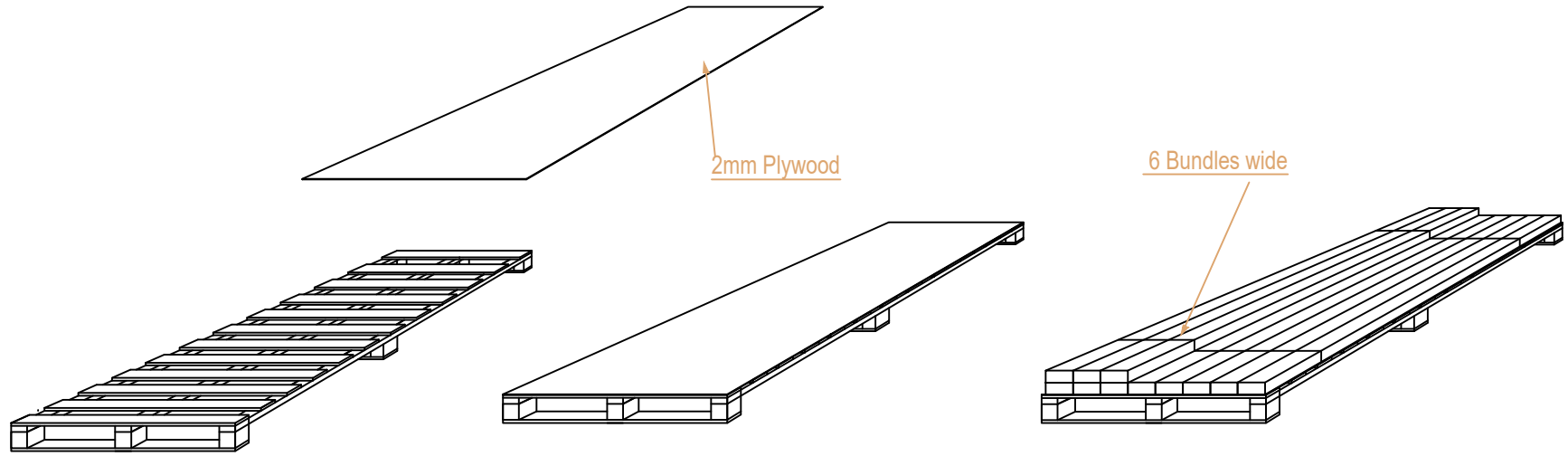
Width tolerance: ±0.2mm

length tolerance: ±1mm

SAP V:

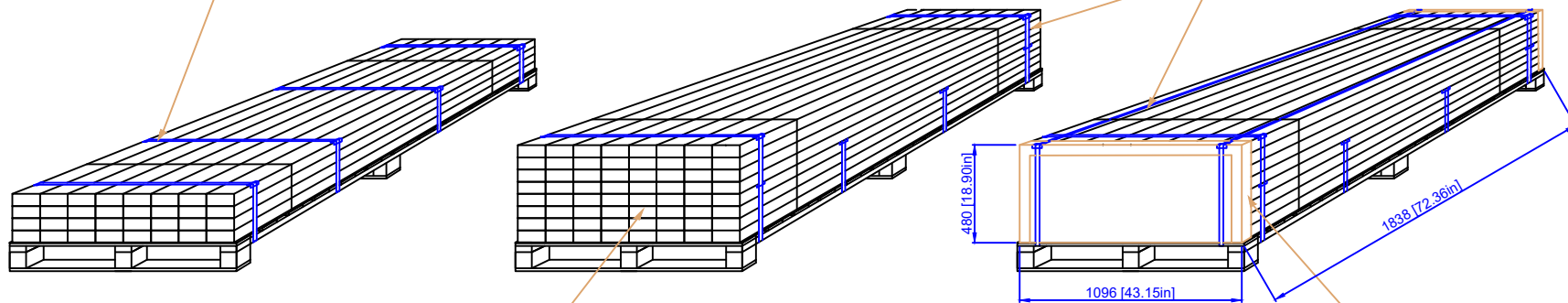
dasso XTR

PRINTED:



There are 4 band in the middle of the pallet

There are 4 belts out of the pallet: before packaging the 4 belts, the wrap film is at least three layers and ensure full of the decking.



REVISED BY: Lina.L
REVISED DATE:

PAGE NO:

dassoXTR
Fused Bamboo® for Exterior Use

6060 Boat Rock Blvd SW
Atlanta, GA 30336
www.dassoxt.com
Tel: 1-404-691-6872

PRODUCT: XTR-DK20-G1-PP starter & boarder decking plank: 20mm x 137mm

TITLE: Pallet Layout

DRAWN BY: Lina.L DATE: Jan 01, 2018

SCALE: 1:1

CONTACT: 1-404-691-6872

FILE: XTR-DK20-G1-PP.DWG

PRINTED:

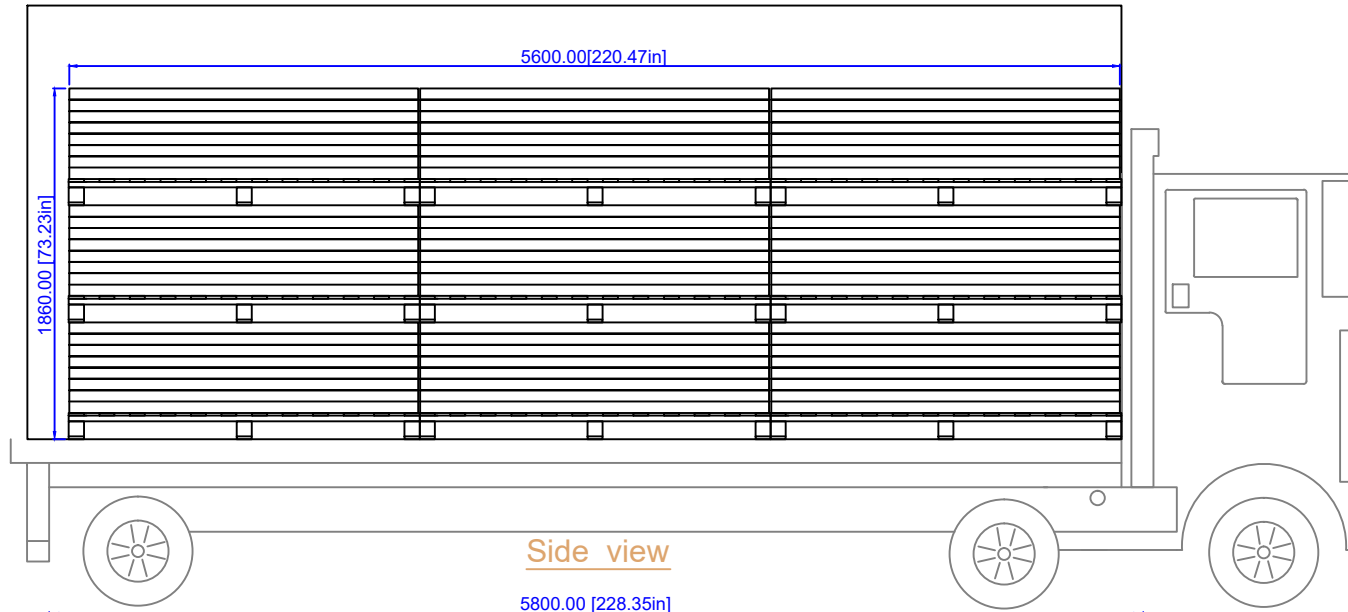
Thickness tolerance: ±1mm

Width tolerance: ±1mm

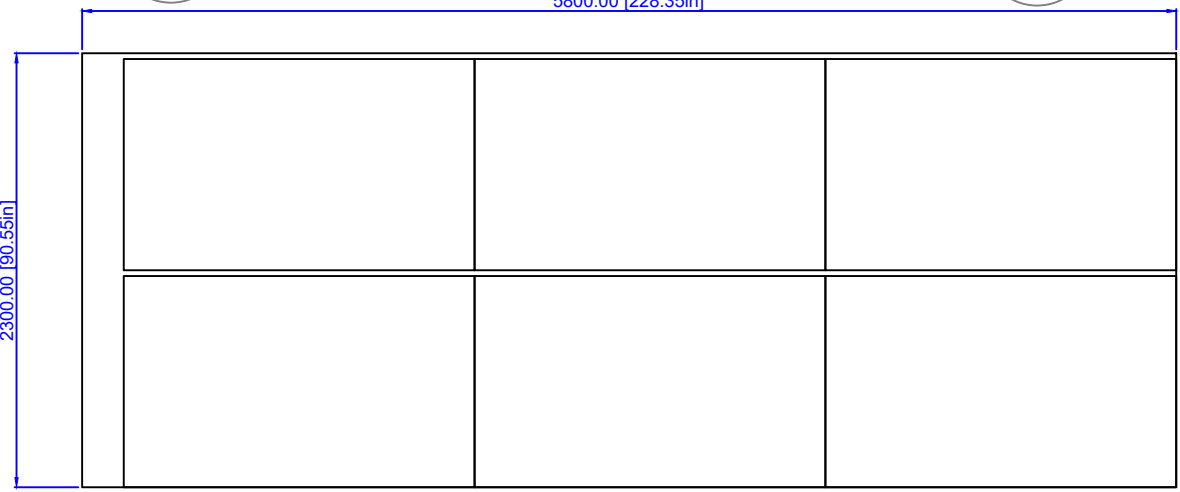
length tolerance: ±1mm

SAP V:

dasso XTR

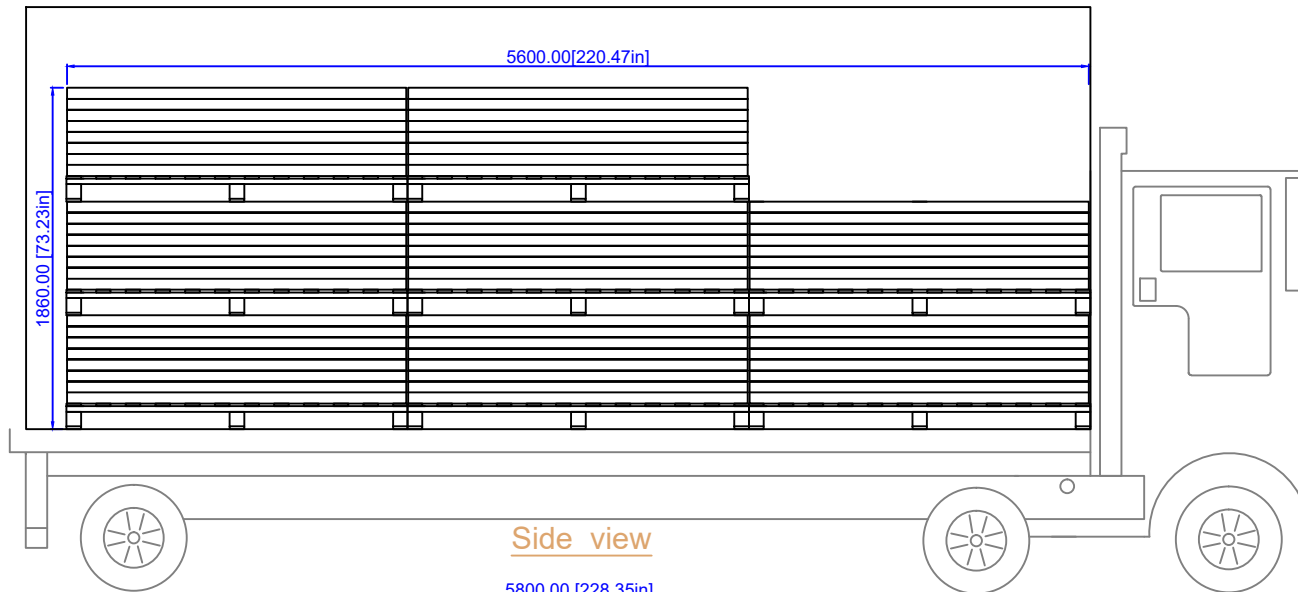


Side view

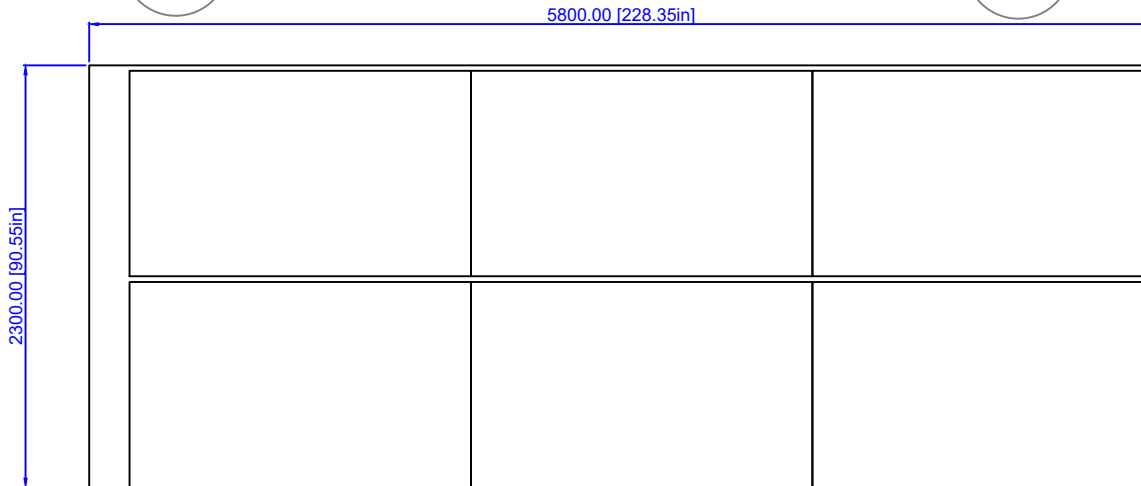


Top view

REVISED BY: Lina.L REVISED DATE:	REVISE ON:	PAGE NO:	dassoXTR <i>Fused Bamboo® for Exterior Use</i> <small>6960 Boat Rock Blvd SW Atlanta, GA 30336 www.dassoxtf.com Tel: 1-404-691-6872</small>	PRODUCT: XTR-DK20-G1-PP starter <input type="checkbox"/> oarder decking plank: 20mm <input type="checkbox"/> 137mm	Dimensions: Interior
TITLE: 20' Container Loading—18 Pallet Max			DRAWN BY: Lina.L	DATE: Jan 01, 2018	SCALE: 1:1
dasso XTR			CONTACT: 1-404-691-6872	FILE: XTR-DK20-G1-PP.DWG	PRINTED:



Side view



Top view

REVISED BY: Lina.L	REVISE ON:	PAGE NO.:
REVISED DATE:		
SAP V:	dasso XTR	



PRODUCT: XTR-DK20-G1-PP starter <input type="checkbox"/> <input type="checkbox"/> oarder decking plank : 20mm <input type="checkbox"/> 137mm			
TITLE: 20' Container Loading—17 Pallet			
DRAWN BY: Lina.L	DATE: Jan 01, 2018	SCALE: 1:1	CONTACT: 1-404-691-6872
FILE: XTR-DK20-G1-PP.DWG			PRINTED:

Dimensions: Interior