

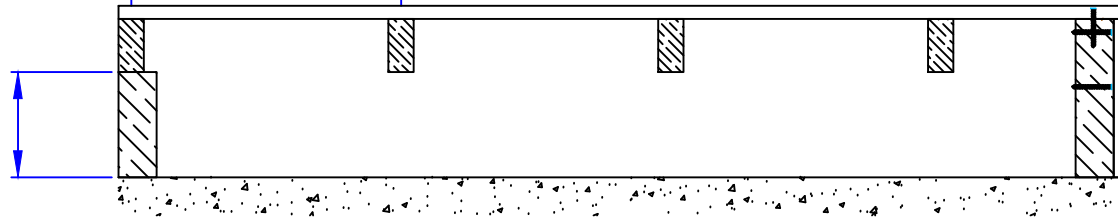
REVISED BY: Lina.L	REVISE ON:	PAGE NO.:
REVISED DATE:		
SAP V.:	dasso XTR	



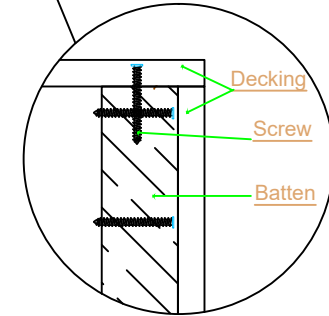
PRODUCT: XTR-DK20-G2-PP decking plank: 20mm x 137mm			Thickness tolerance: ±0.2mm	
TITLE: Decking Installation			Width tolerance: ±0.2mm	
DRAWN BY: Lina.L DATE: Jan 01, 2018 SCALE: 1:1 CONTACT: 1-404-691-6872			length tolerance: ±1mm	
FILE: XTR-DK20-G2-PP.DWG			PRINTED:	

Mmin152.4[6.00in]

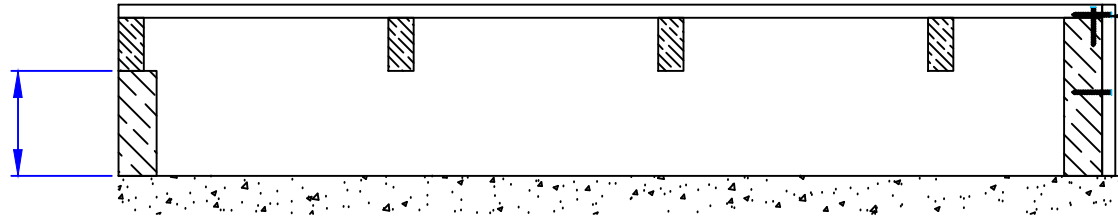
406.40 [16.00in]



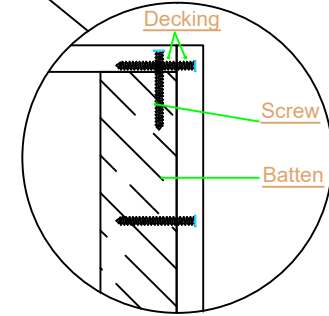
Option A



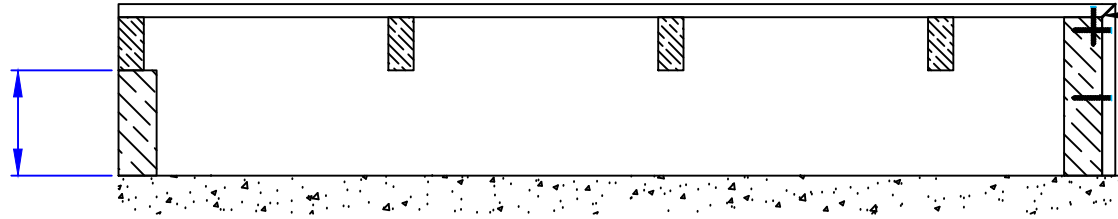
Min152.4[6.00in]



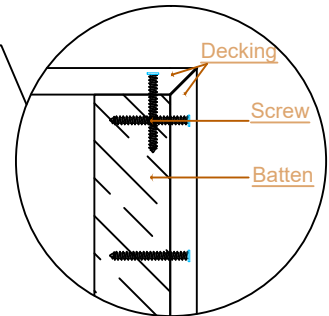
Option B



Min152.4[6.00in]



Option C



REVISED BY: Lina.L	REVISE ON:	PAGE NO.:
SAP V.:	dasso XTR	



PRODUCT: XTR-DK20-G2-PP decking plank: 20mm x 137mm

TITLE: Decking Edges

DRAWN BY: Lina.L DATE: Jan 01, 2018

SCALE: 1:1

CONTACT: 1-404-691-6872

FILE: XTR-DK20-G1-PP.DWG

PRINTED:

Thickness tolerance: ±0.2mm

Width tolerance: ±0.2mm

length tolerance: ±1mm

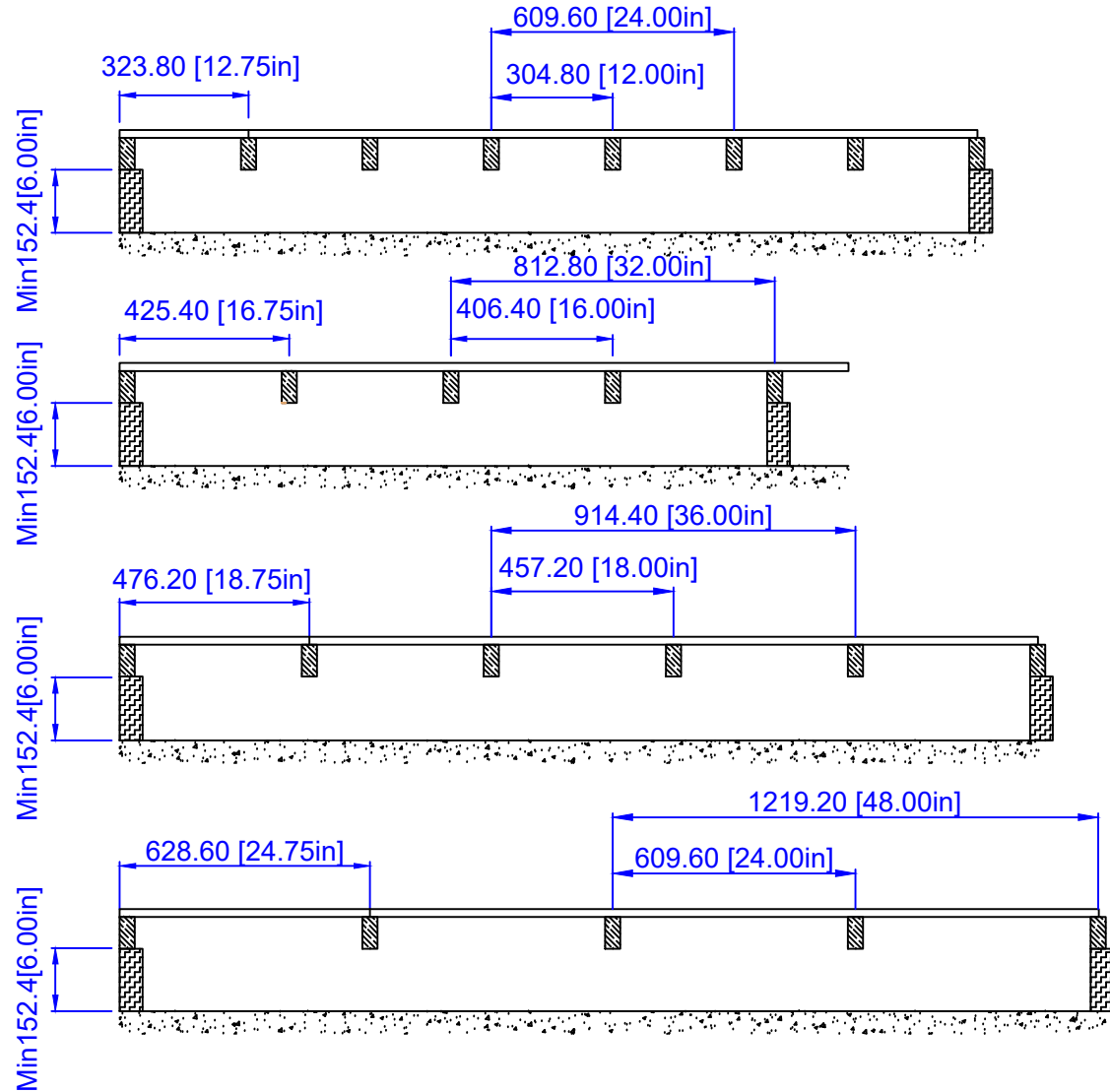
## Joist spacing option

a 12 center to center

b 16 center to center

c 18 center to center

d 24 center to center



REVISED BY: Lina.L  
REVISED DATE:

PAGE NO:

**dassoXTR**  
Fused Bamboo® for Exterior Use

6060 Boat Rock Blvd SW  
Atlanta, GA 30336  
www.dassoxt.com  
Tel: 1-404-691-6872

PRODUCT: XTR-DK20-G2-PP decking plank: 20mm x 137mm

TITLE: Joist Spacing

DRAWN BY: Lina.L DATE: Jan 01, 2018

SCALE: 1:1

CONTACT: 1-404-691-6872

FILE: XTR-DK20-G2-PP.DWG

PRINTED:

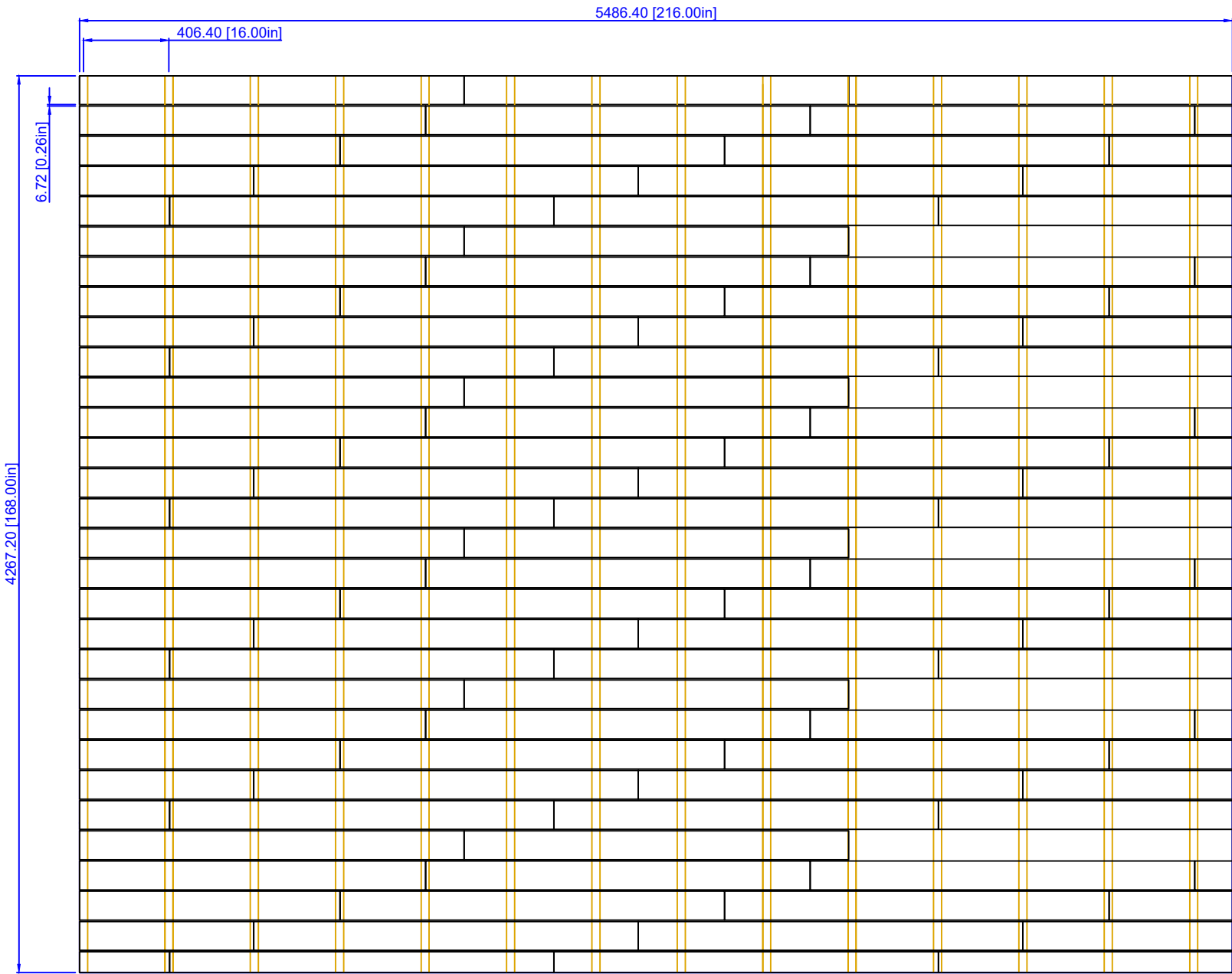
Thickness tolerance: ±0.2mm

Width tolerance: ±0.2mm

length tolerance: ±1mm

SAP V:

dasso XTR



REVISED BY: Lina.L  
 REVISION DATE:

PAGE NO:



6060 Boat Rock Blvd SW  
 Atlanta, GA 30336  
 www.dassoxt.com  
 Tel: 1-404-691-6872

PRODUCT: XTR-DK20-G2-PP decking plank: 20mm x 137mm

TITLE: Random 12", 16", 24" Center to Center

DRAWN BY: Lina.L DATE: Jan 01, 2018

SCALE: 1:1

CONTACT: 1-404-691-6872

FILE: XTR-DK20-G2-PP.DWG

PRINTED:

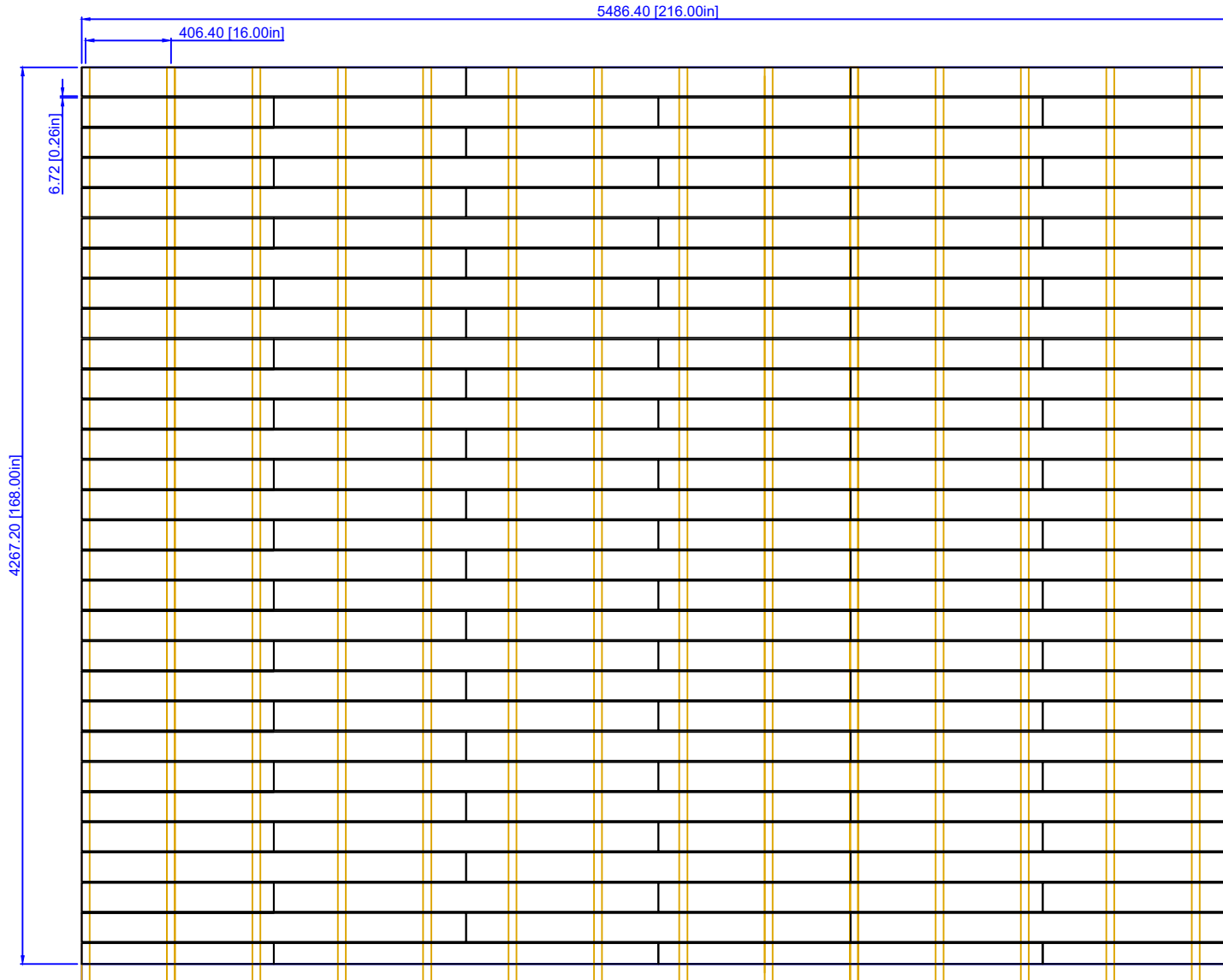
Thickness tolerance: ±0.2mm

Width tolerance: ±0.2mm

length tolerance: ±1mm

SAP V:

dasso XTR



REVISED BY: Lina.L  
 REVISED DATE:

REVISE ON:

PAGE NO:

SAP V:

dasso XTR



6060 Boat Rock Blvd SW  
 Atlanta, GA 30336  
 www.dassoxt.com  
 Tel: 1-404-691-6872

PRODUCT: XTR-DK20-G2-PP decking plank: 20mm x 137mm

TITLE: Staggered 12", 16", 24" Center to Center

DRAWN BY: Lina.L DATE: Jan 01, 2018

SCALE: 1:1

CONTACT: 1-404-691-6872

FILE: XTR-DK20-G2-PP.DWG

PRINTED:

Thickness tolerance: ±0.2mm

Width tolerance: ±0.2mm

length tolerance: ±1mm