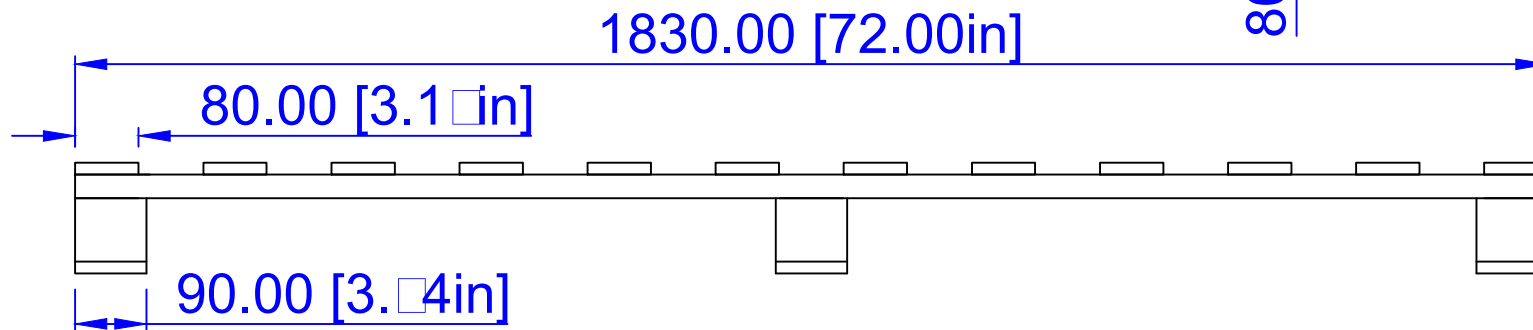


End view



Side view

REVISED BY: Lina.L
REVISED DATE:

PAGE NO:



6060 Boat Rock Blvd SW
Atlanta, GA 30336
www.dassoxt.com
Tel: 1-404-691-6872

PRODUCT: Wood Pallet Type 1120

TITLE: Wood Pallet Type 1120

DRAWN BY: Lina.L DATE: Jan 01, 2018

SCALE: 1:1

CONTACT: 1-404-691-6872

FILE: XTR-DK20-G2-PP.DWG

PRINTED:

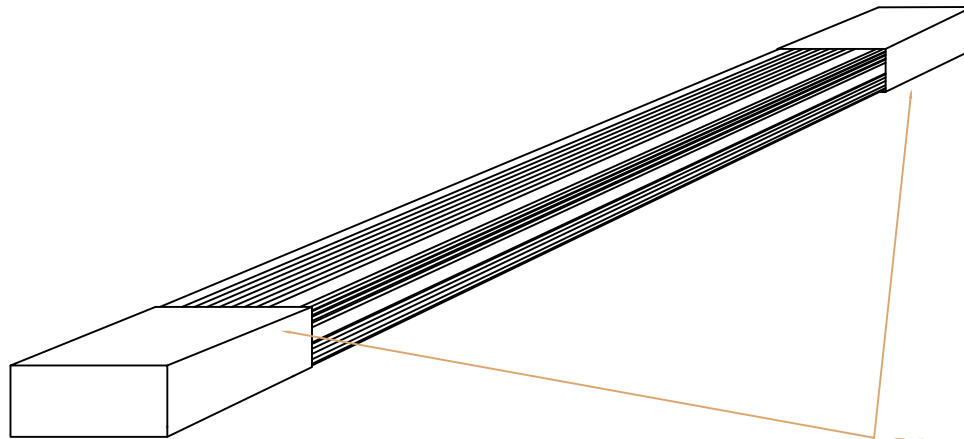
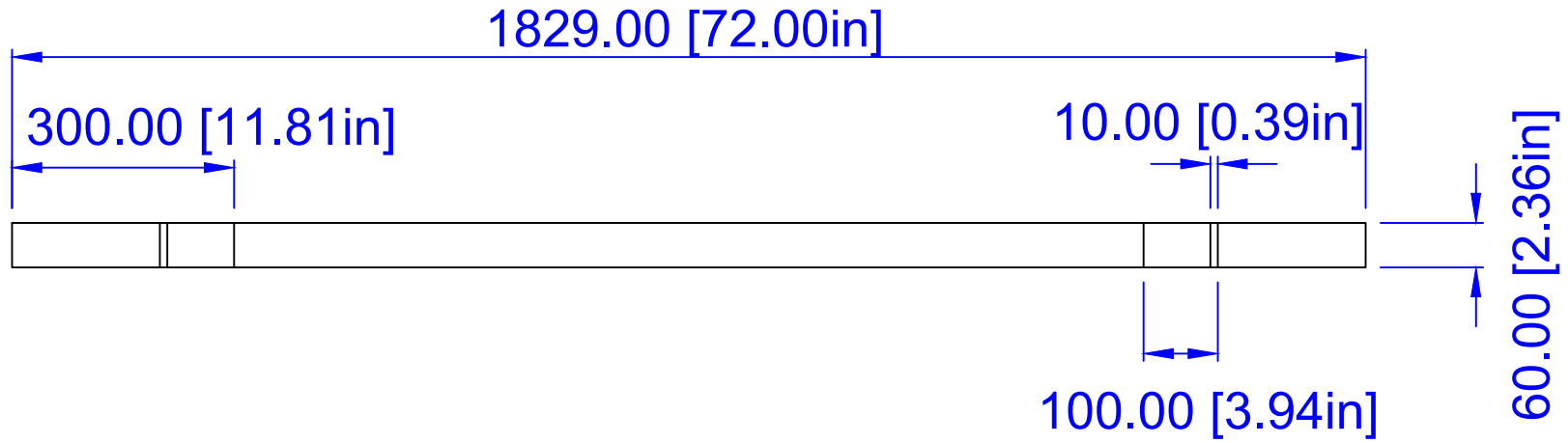
Thickness tolerance: ±1mm

Width tolerance: ±1mm


length tolerance: ±1mm

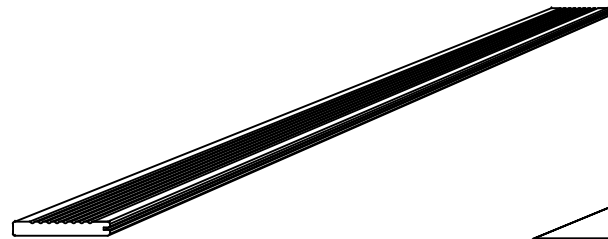
SAP V:

dasso XTR

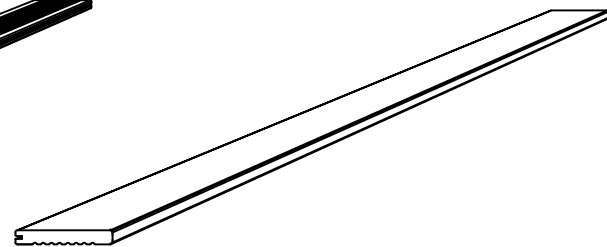


Sleeves and Plastic Package

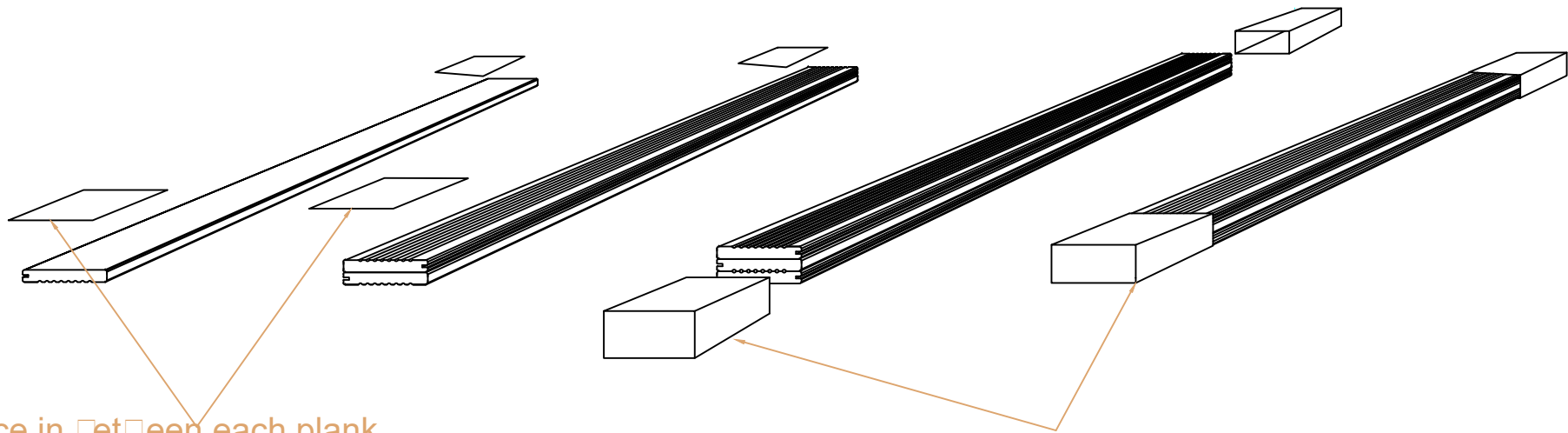
REVISED BY: Lina.L	REVISION: REVISION DATE:	PAGE NO.:	PRODUCT: XTR-DK20-G2-PP decking plank: 20mm x 137mm		Thickness tolerance: ±0.2mm
SAP V:			TITLE: Bundle Dimension		Width tolerance: ±0.2mm
dasso XTR			DRAWN BY: Lina.L	DATE: Jan 01, 2018	length tolerance: ±1mm
 Fused Bamboo® for Exterior Use 6980 Boat Rock Blvd SW Atlanta, GA 30336 www.dassoxt.com Tel: 1-404-691-6872			SCALE: 1:1	CONTACT: 1-404-691-6872	
			FILE: XTR-DK20-G2-PP.DWG	PRINTED:	



Front view



Back view



Place in between each plank

Paper sleeves: place on each end of the bundle

REVISED BY: Lina.L
REVISED DATE:

PAGE NO:



6990 Boat Rock Blvd SW
Atlanta, GA 30336
www.dassoxt.com
Tel: 1-404-691-6872

PRODUCT: XTR-DK20-G2-PP decking plank: 20mm x 137mm

TITLE: Decking Bundle Package Layout

DRAWN BY: Lina.L DATE: Jan 01, 2018

SCALE: 1:1

CONTACT: 1-404-691-6872

FILE: XTR-DK20-G2-PP.DWG

PRINTED:

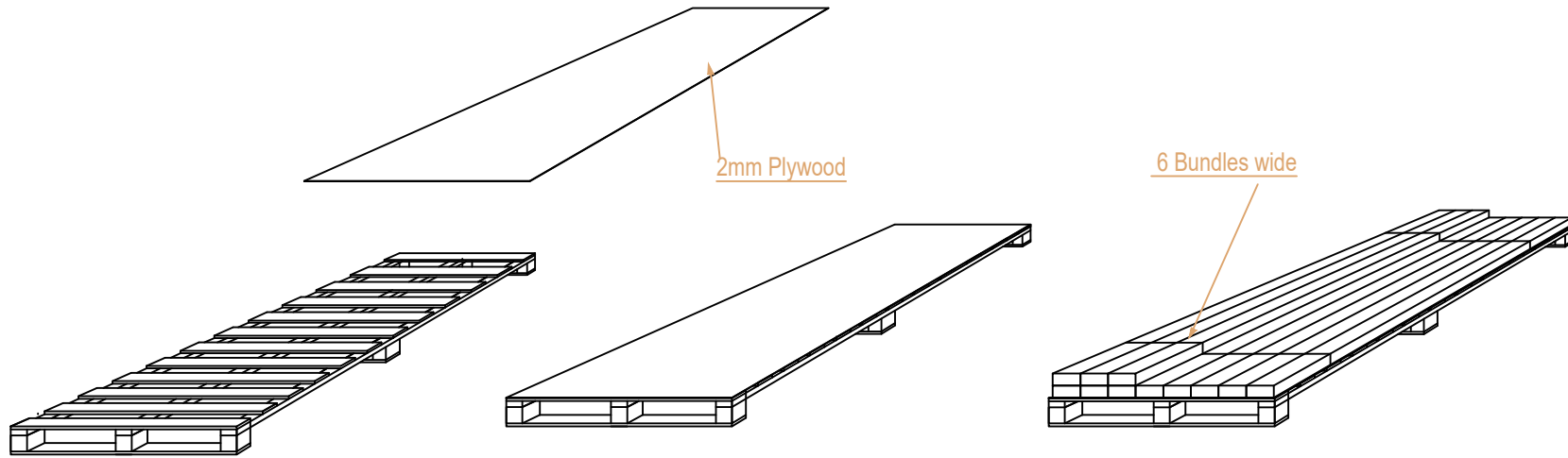
Thickness tolerance: ±0.2mm

Width tolerance: ±0.2mm

length tolerance: ±1mm

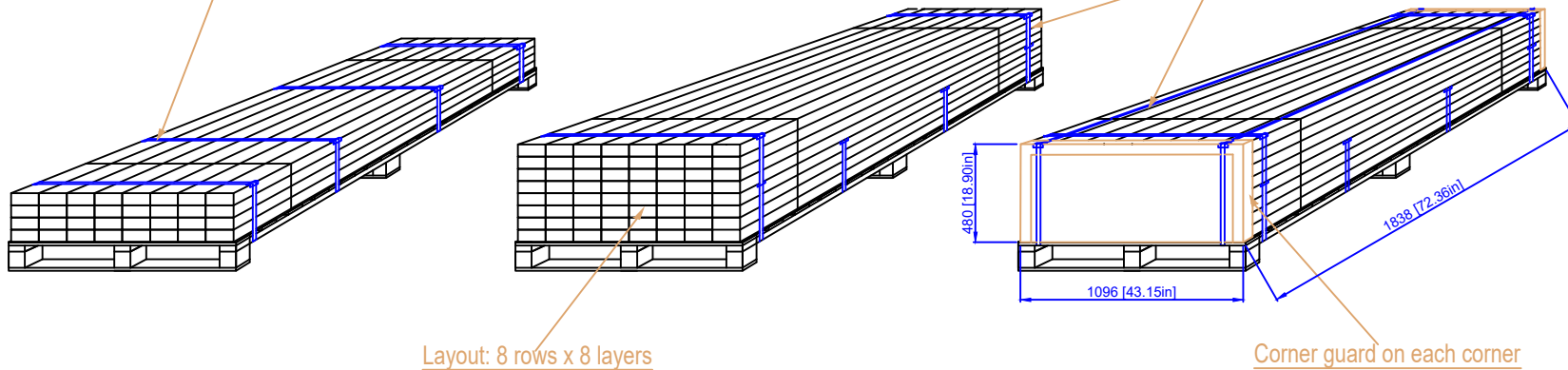
SAP V:

dasso XTR



There are 4 band in the middle of the pallet

There are 4 belts out of the pallet: before packaging the 4 belts, the wrap film is at least three layers and ensure full of the decking.



REVISED BY: Lina.L
REVISED DATE:

PAGE NO:

dassoXTR
Fused Bamboo® for Exterior Use

6060 Boat Rock Blvd SW
Atlanta, GA 30336
www.dassoxt.com
Tel: 1-404-691-6872

PRODUCT: XTR-DK20-G2-PP decking plank: 20mm x 137mm

TITLE: Pallet Layout

DRAWN BY: Lina.L DATE: Jan 01, 2018

SCALE: 1:1

CONTACT: 1-404-691-6872

FILE: XTR-DK20-G2-PP.DWG

PRINTED:

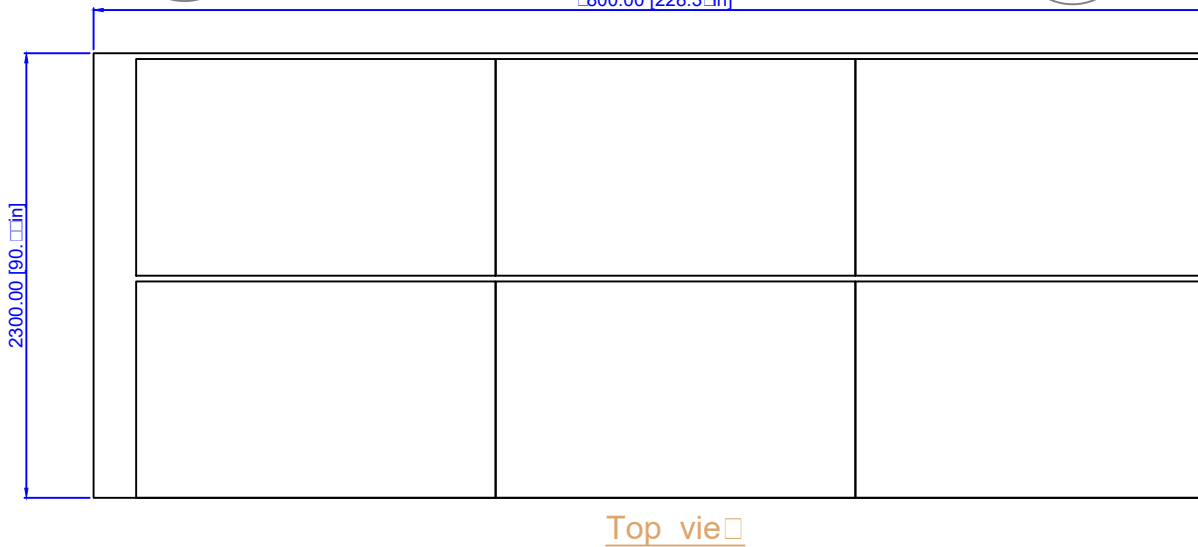
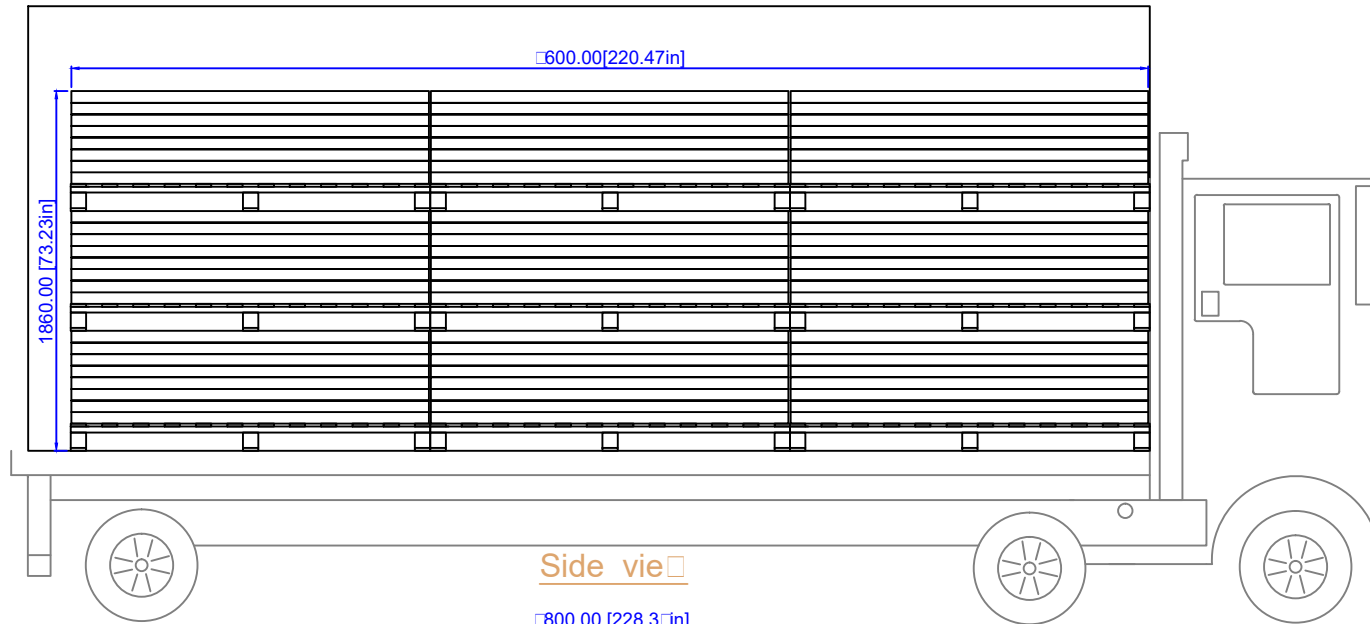
Thickness tolerance: ±1mm

Width tolerance: ±1mm

length tolerance: ±1mm

SAP V:

dasso XTR



REVISED BY: Lina.L
REVISED DATE:

REVISE ON:

PAGE NO.:



6060 Boat Rock Blvd SW
Atlanta, GA 30336
www.dassoxttr.com
Tel: 1-404-691-6872

PRODUCT: XTR-DK20-G2-PP decking plank: 20mm x 137mm

TITLE: 20' Container Loading—18 Pallet Max

DRAWN BY: Lina.L DATE: Jan 01, 2018

SCALE: 1:1

CONTACT: 1-404-691-6872

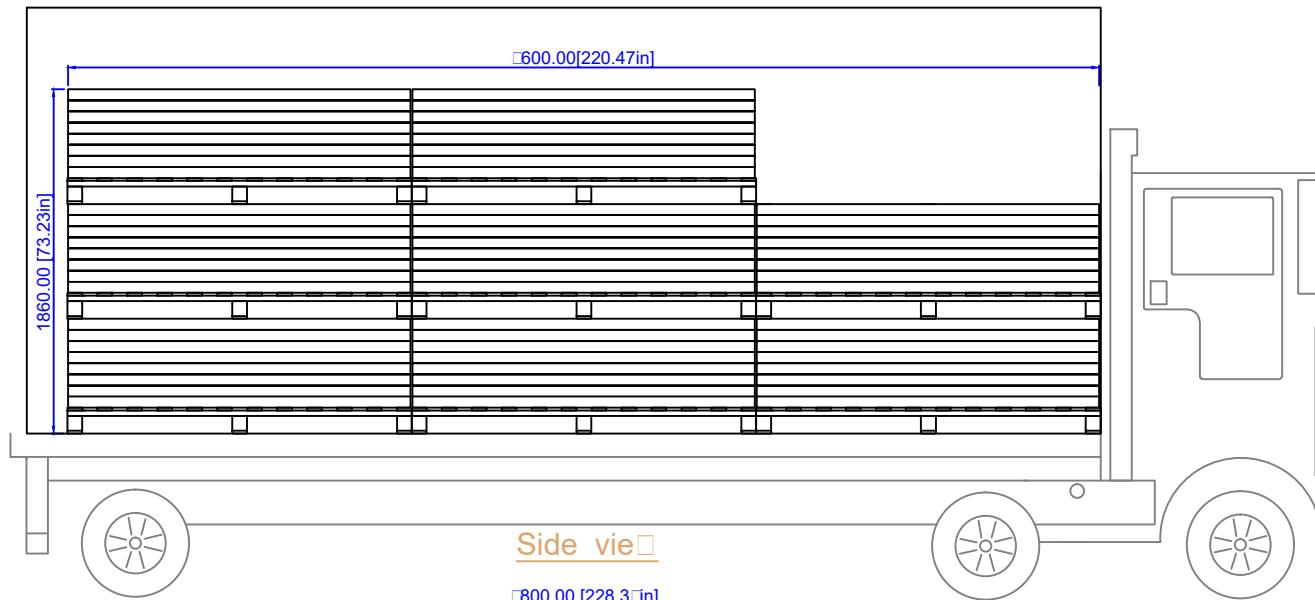
FILE: XTR-DK20-G2-PP.DWG

PRINTED:

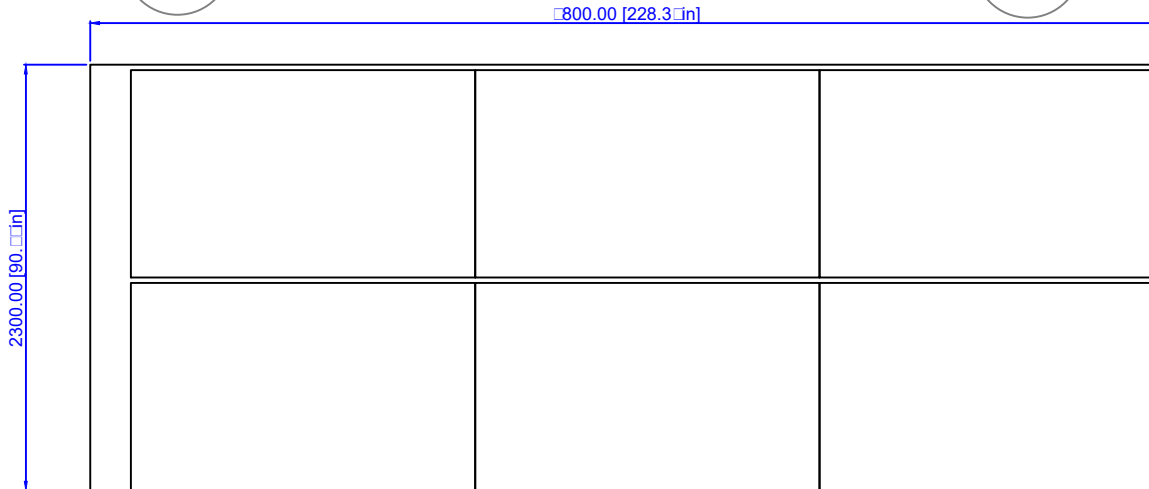
Dimensions: Interior

SAP V:


dasso XTR



Side view



Top view

REVISED BY: Lina.L <small>REVISED DATE:</small>	REVISE ON:	PAGE NO.:	PRODUCT: XTR-DK20-G2-PP decking plank : 20mm x 137mm TITLE: 20' Container Loading—17 Pallet	Dimensions: Interior
SAP V: dasso XTR	 <small>Fused Bamboo® for Exterior Use</small> <small>6980 Boat Rock Blvd SW Atlanta, GA 30336 www.dassoxtf.com Tel: 1-404-691-6872</small>	DRAWN BY: Lina.L DATE: Jan 01, 2018 SCALE: 1:1 CONTACT: 1-404-691-6872	FILE: XTR-DK20-G2-PP.DWG PRINTED:	