

REVISED BY: Lina.L
REVISED DATE:

PAGE NO:

dassoXTR
Fused Bamboo® for Exterior Use

6060 Boat Rock Blvd SW
Atlanta, GA 30336
www.dassoxt.com
Tel: 1-404-691-6872

PRODUCT: Wood Pallet Type 950

TITLE: Wood Pallet Type 950

DRAWN BY: Lina.L DATE: Jan 01, 2018

SCALE: 1:1

CONTACT: 1-404-691-6872

FILE: XTR-LUM20-307F-PP.DWG

PRINTED:

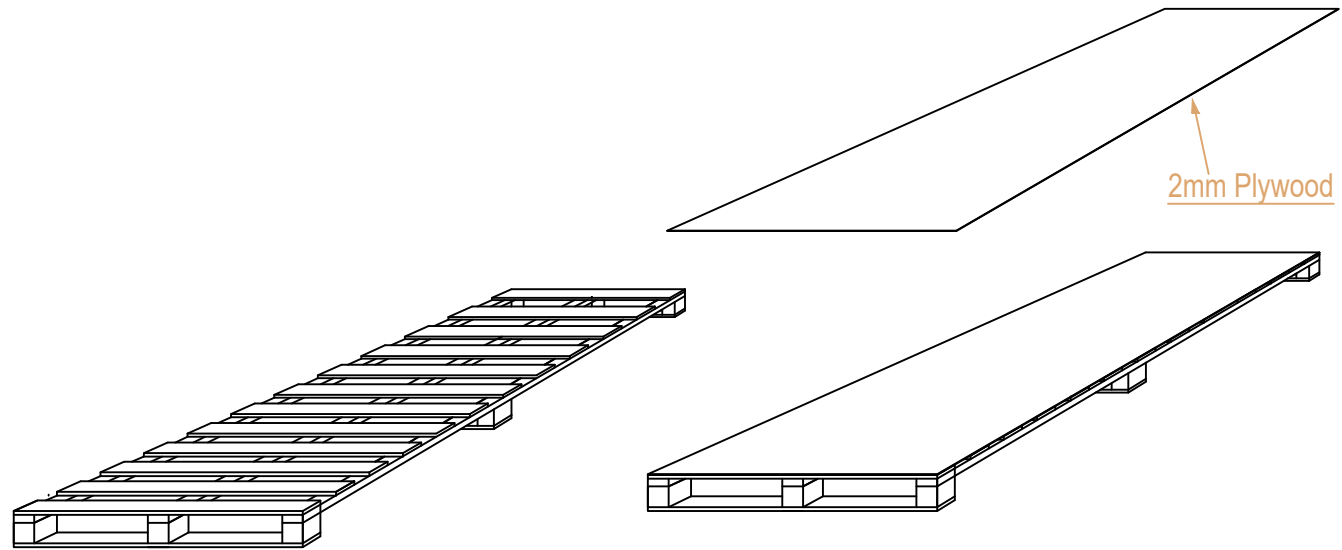
Thickness tolerance: ±1mm

Width tolerance: ±1mm

length tolerance: ±1mm

SAP V:

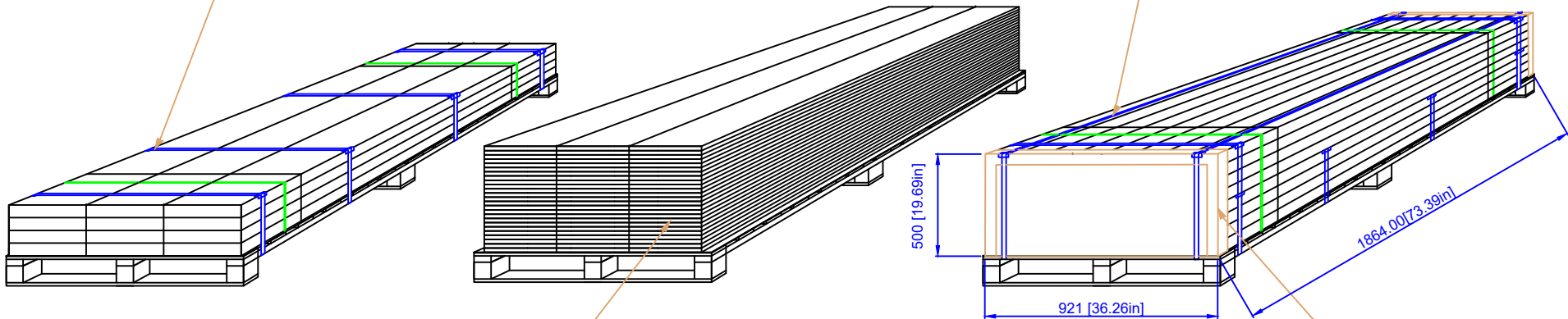
dasso XTR



2mm Plywood

There are 4 band in the middle of the pallet

There are 4 belts out of the pallet: before packaging the 4 belts, the wrap film is at least three layers and ensure full of the decking.



Layout: 3 rows x 25 layers

Corner guard on each corner

REVISED BY: Lina.L
REVISED DATE:

REVISION ON:

PAGE NO.:

SAP V.:

dasso XTR

dassoXTR
Fused Bamboo® for Exterior Use

6000 Boat Rock Blvd SW
Atlanta, GA 30336
www.dassoxt.com
Tel: 1-404-691-6872

PRODUCT: XTR-LUM20-307F-PP

TITLE: Pallet Layout

DRAWN BY: Lina.L DATE: Jan 01, 2018

SCALE: 1:1

CONTACT: 1-404-691-6872

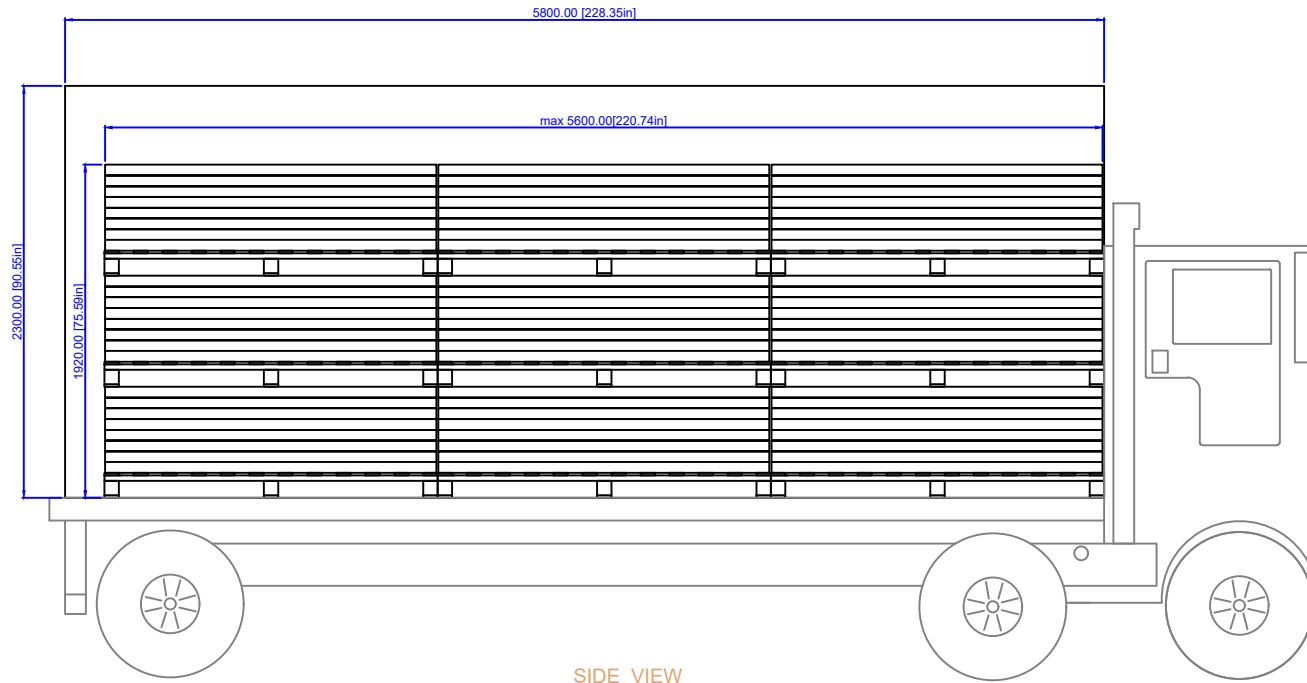
FILE: XTR-LUM20-307F-PP.DWG

PRINTED:

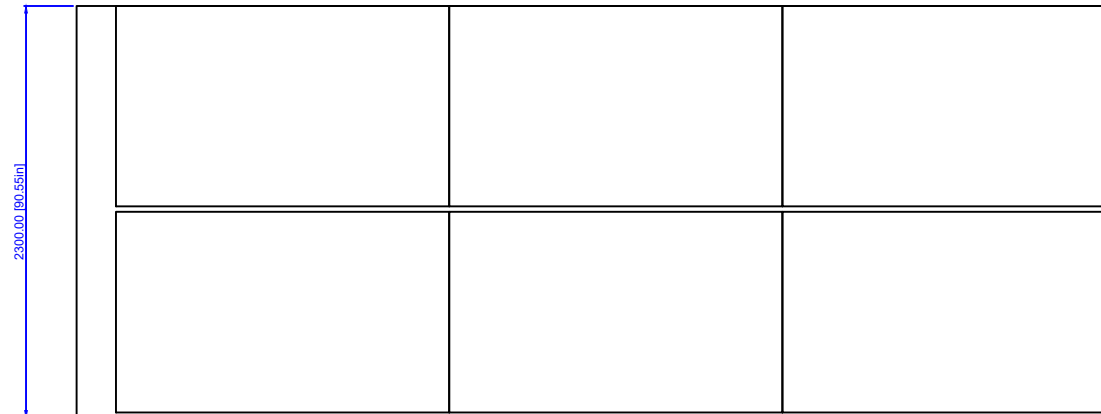
Thickness tolerance: ±1mm

Width tolerance: ±1mm

Length tolerance: ±1mm



SIDE VIEW



TOP VIEW

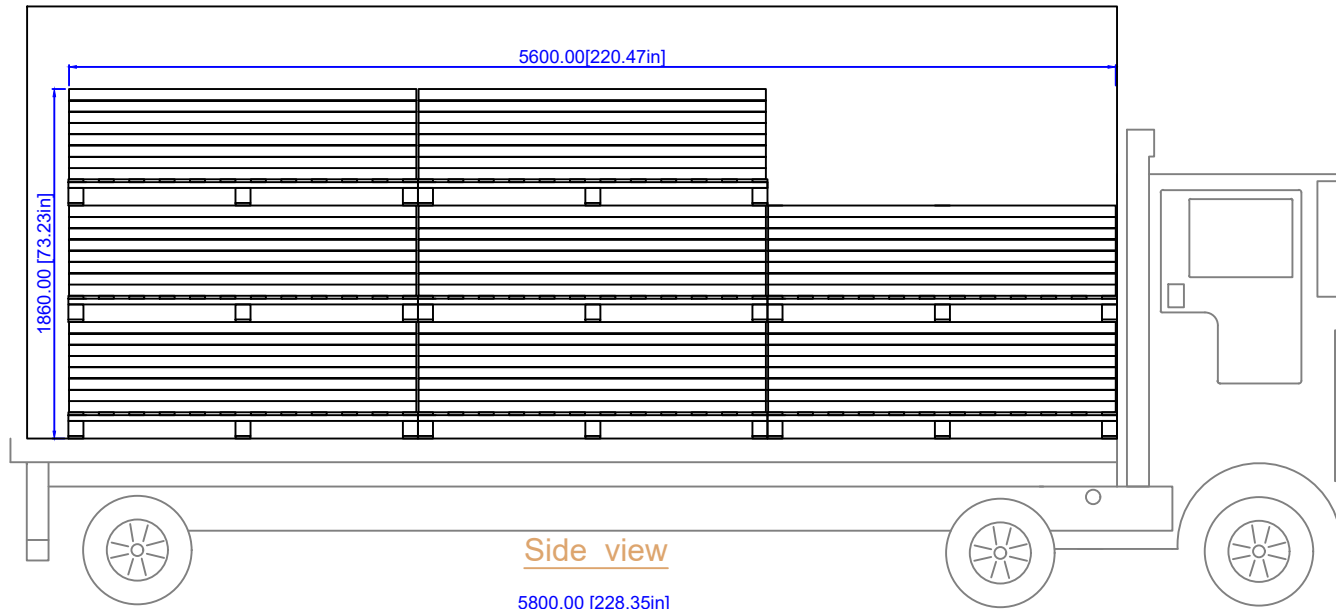
REVISED BY: Lina.L
 REVISION: REVISION ON: REVISION DATE:
 SAP-V:
 dasso XTR

PAGE NO:

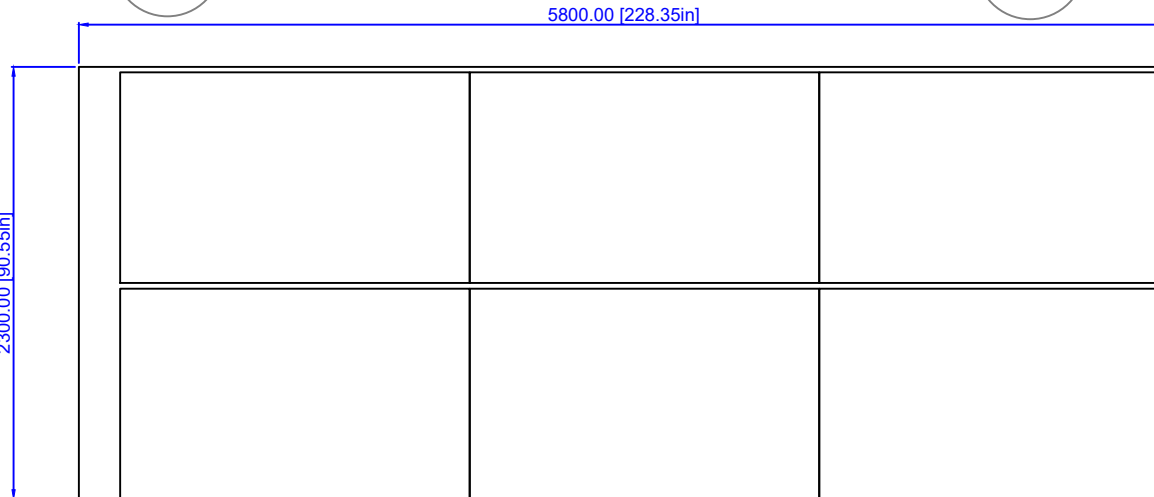


PRODUCT: XTR-LUM20-307F-PP
 TITLE: 20' Container Loading—18 Pallet Max
 DRAWN BY: Lina.L DATE: Jan 01, 2018 SCALE: 1:1 CONTACT: 1-404-691-6872
 FILE: XTR-LUM20-307F-PP.DWG PRINTED:

Dimensions: Interior



Side view



Top view

REVISED BY: Lina.L	REVISE ON:	PAGE NO.:	PRODUCT: XTR-LUM20-307F-PP				Dimensions: Interior
REVISED DATE:			TITLE: 20' Container Loading—17 Pallet				
SAP V:			DRAWN BY: Lina.L	DATE: Jan 01, 2018	SCALE: 1:1	CONTACT: 1-404-691-6872	
dasso XTR			FILE: XTR-LUM20-307F-PP.DWG			PRINTED:	

