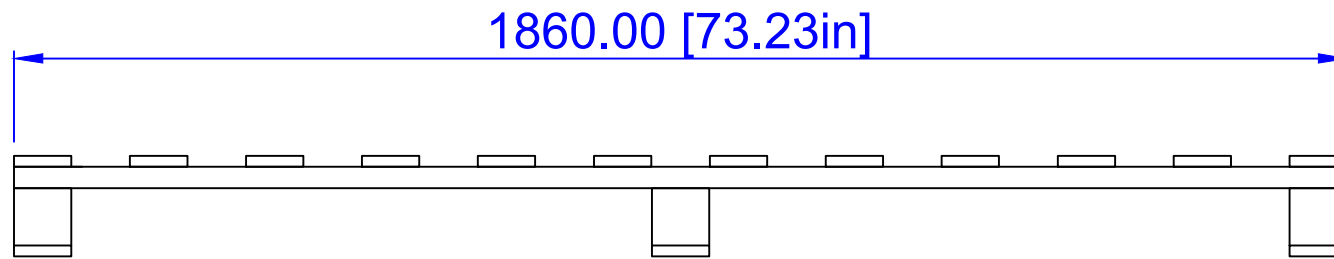


End view

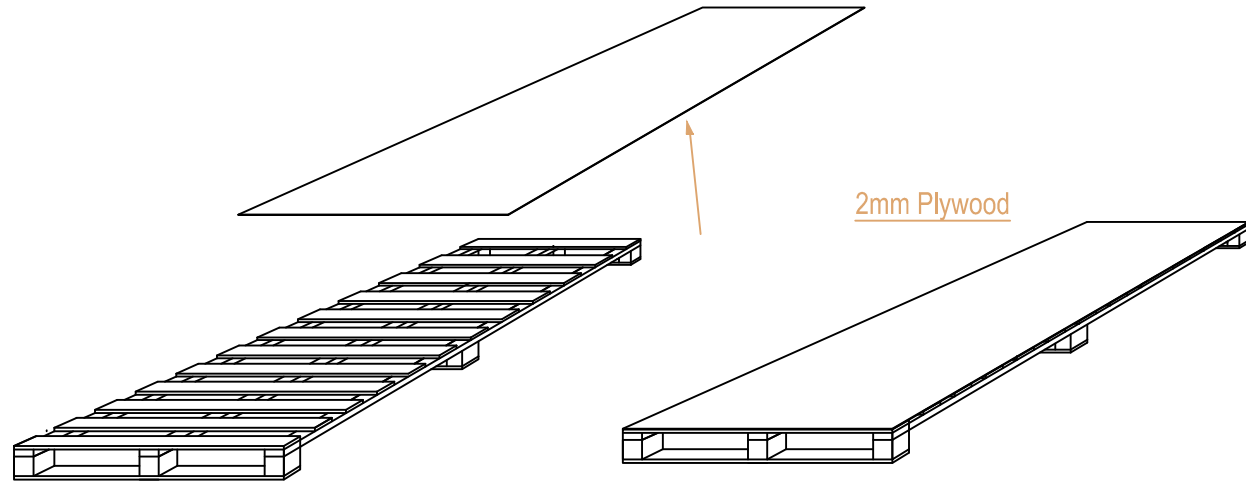


Side view

REVISED BY: Lina.L	REVISE ON:	PAGE NO.:
REVISED DATE:		
SAP-V:		
dasso XTR		

dassoXTR
Fused Bamboo® for Exterior Use
6090 Boat Rock Blvd SW
Atlanta, GA 30336
www.dassoxt.com
Tel: 1-404-691-6872

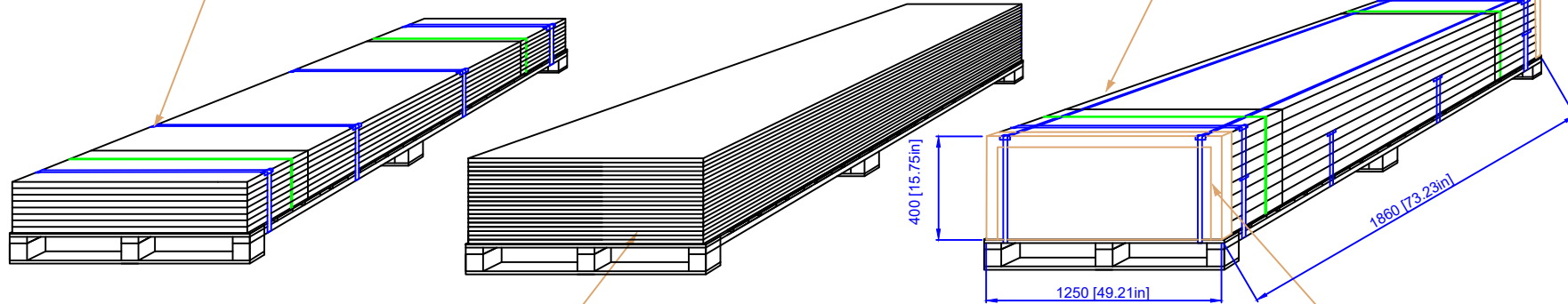
PRODUCT: Wood Pallet Type 1270				Thickness tolerance: ±1mm
TITLE: Wood Pallet Type 1270				Width tolerance: ±1mm
DRAWN BY: Lina.L	DATE: Jan 01, 2018	SCALE: 1:1	CONTACT: 1-404-691-6872	length tolerance: ±1mm
FILE: XTR-PAN20.DWG				PRINTED:



2mm Plywood

There are 4 band in the middle of the pallet

There are 4 belts out of the pallet: before packaging the 4 belts, the wrap film is at least three layers and ensure full of the decking.



Layout: 1 rows x 20 layers

Corner guard on each corner

REVISED BY: Lina.L
REVISED DATE:

PAGE NO:



6960 Boat Rock Blvd SW
Atlanta, GA 30336
www.dassoxt.com
Tel: 1-404-691-6872

PRODUCT: XTR-PAN20

TITLE: Pallet Layo□

DRAWN BY: Lina.L DATE: Jan 01, 2018

SCALE: 1:1

CONTACT: 1-404-691-6872

FILE: XTR-PAN20.DWG

PRINTED:

Thickness tolerance: ±1mm

Width tolerance: ±1mm

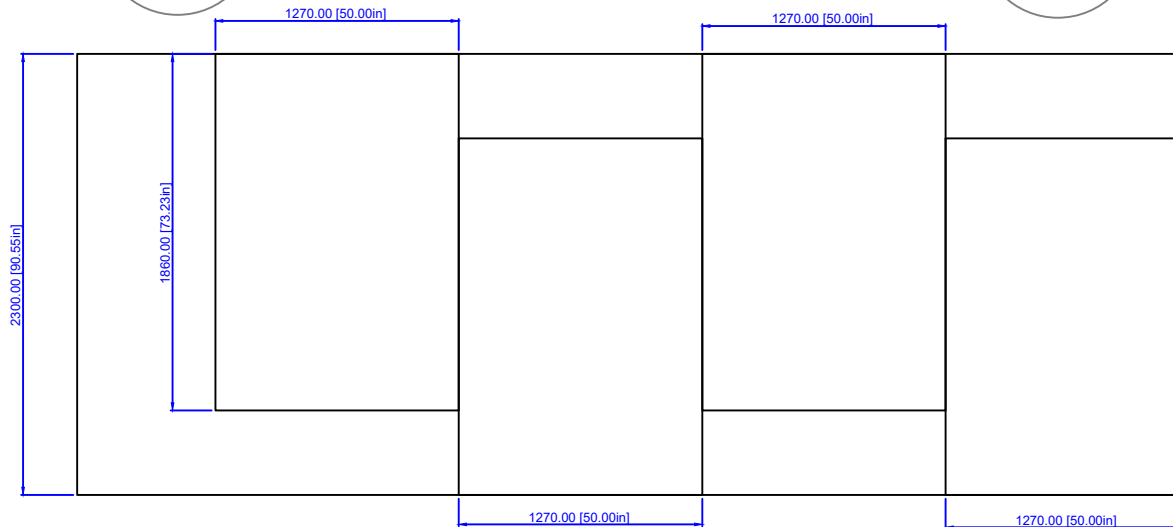
length tolerance: ±1mm

SAP V:

dasso XTR



SIDE VIEW



TOP VIEW

REVISED BY: Lina.L
 REVISED DATE:
 SAP-V:
 dasso XTR

PAGE NO:



PRODUCT: XTR-PAN20

TITLE: 20' Container Loading—16 Pallet Max

DRAWN BY: Lina.L DATE: Jan 01, 2018 SCALE: 1:1 CONTACT: 1-404-691-6872

FILE: XTR-PAN20.DWG

Dimensions: Interior