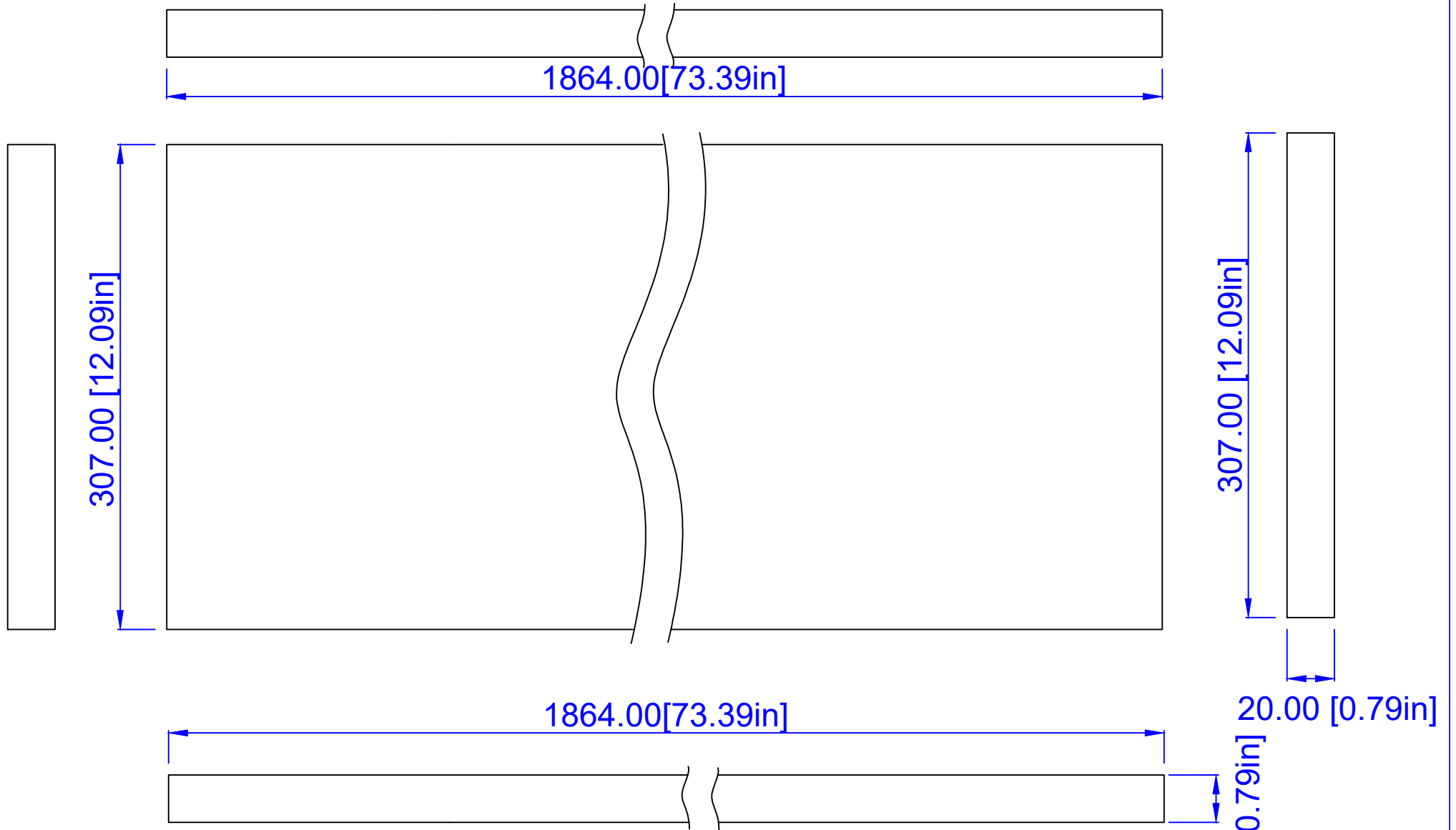


REVISED BY: Lina.L REVISED DATE:	REVISE ON:	PAGE NO:	PRODUCT: XTR-LUM20-307F-PP	Thickness tolerance: ±0.2mm
SAP V: dasso XTR			TITLE: Profile	Width tolerance: ±0.2mm
6650 Bost Rock Blvd SW Atlanta, GA 30326 www.dassoxtr.com Tel: 1-404-691-6872			DRAWN BY: Lina.L DATE: Jan 01, 2018 SCALE: 1:1	length tolerance: ±1mm
			CONTACT: 1-404-691-6872	
			FILE: XTR-LUM20-307F-PP.DWG	PRINTED:



REVISED BY: Lina.L	REVISE ON:	PAGE NO.:
SAP V:	dasso XTR	



PRODUCT: XTR-LUM20-307F-PP			
TITLE: Overview			
DRAWN BY: Lina.L	DATE: Jan 01, 2018	SCALE: 1:1	CONTACT: 1-404-691-6872
FILE: XTR-LUM20-307F-PP.DWG		PRINTED:	

Thickness tolerance: ±0.2mm
Width tolerance: ±0.2mm
length tolerance: ±1mm

307.00 [12.09in]

20.00 [0.79in]