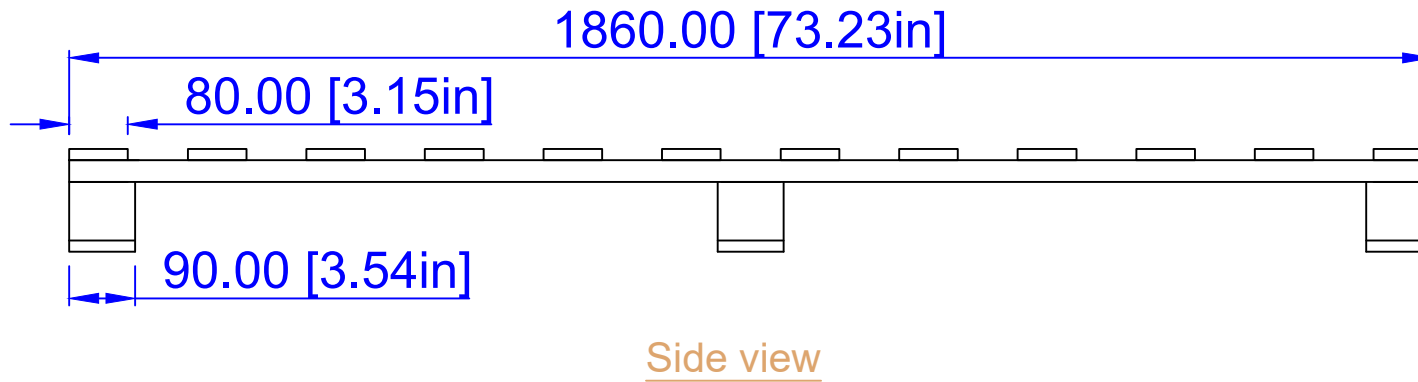
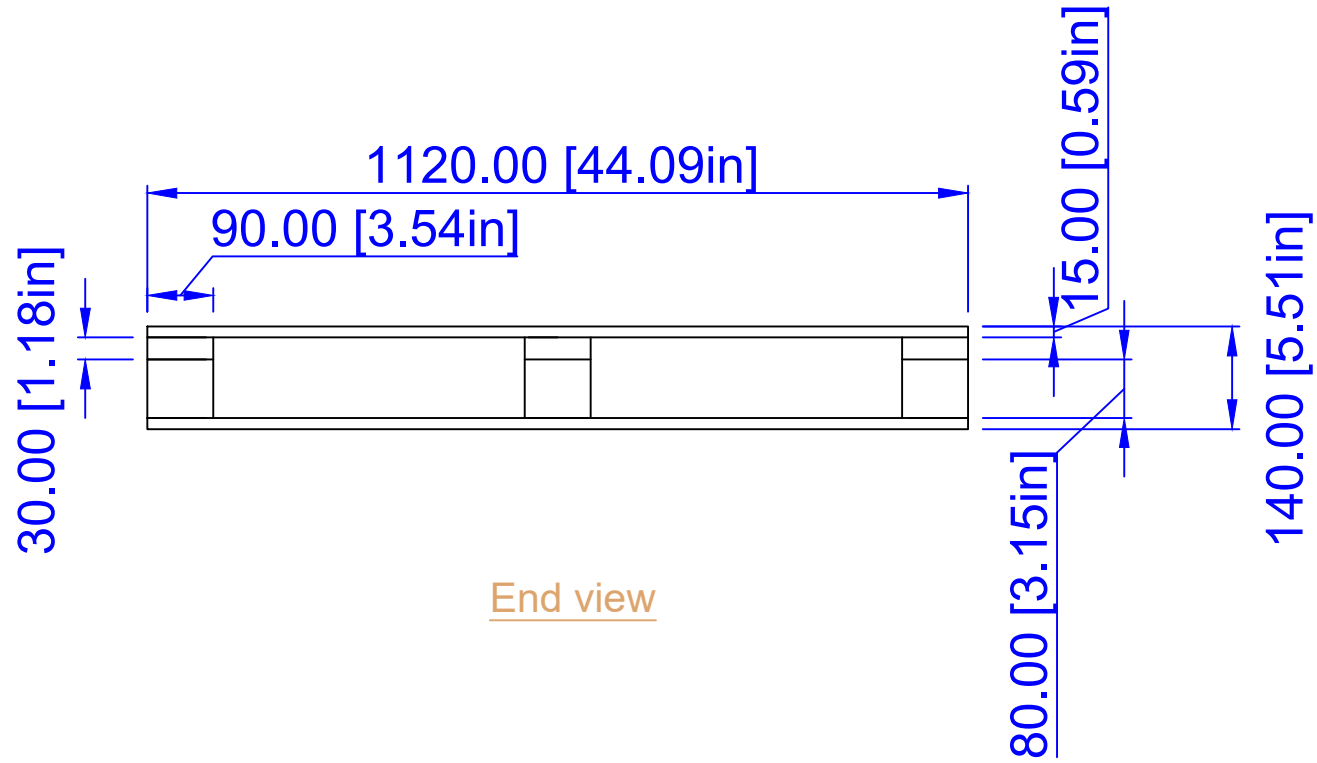


Front view

Back view

REVISED BY: Lina.L REVISED DATE:	REVISE ON:	PAGE NO:	PRODUCT: XTR-DKG-155F-UF	Thickness tolerance: ±0.2mm
SAP V:	dasso XTR <i>Fused Bamboo® for Exterior Use</i>	6060 Bozell Rock Blvd SW Atlanta, GA 30336 www.dassoxt.com Tel: 1-404-691-6872	TITLE: Bundle Dimension	Width tolerance: ±0.2mm
dasso XTR	DRAWN BY: Lina.L	DATE: Jan 01, 2018	SCALE: 1:1	length tolerance: ±1mm
	FILE: XTR-DKG-155F-UF.DWG	CONTACT: 1-404-691-6872	PRINTED:	



REVISED BY: Lina.L	REVISE ON:
REVISED DATE:	
SAP V:	
dasso XTR	

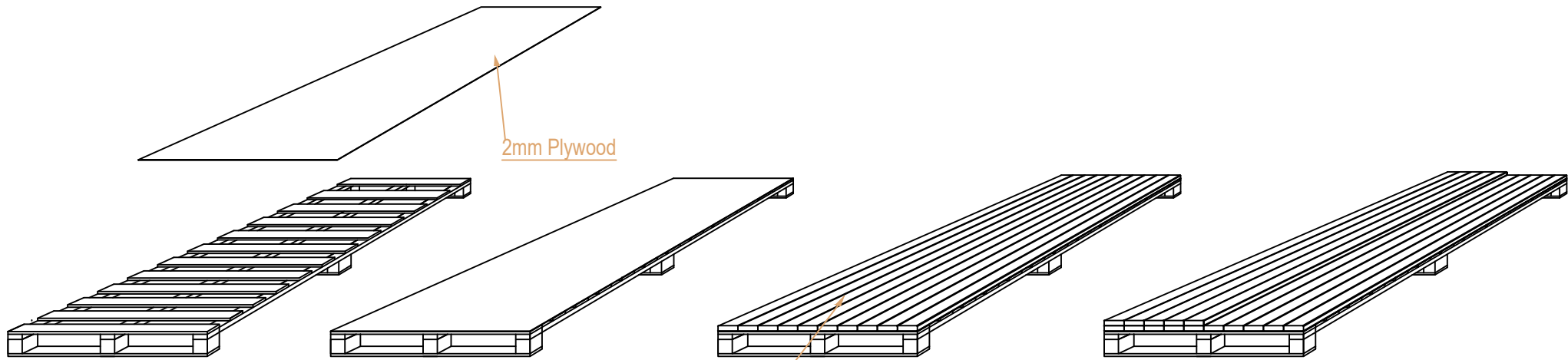
PAGE NO.:

dassoXTR
Fused Bamboo® for Exterior Use

6060 Boatt Rock Blvd SW
Atlanta, GA 30336
www.dassoxt.com
Tel: 1-404-691-6872

PRODUCT: Wood Pallet Type 1120			
TITLE: Wood Pallet Type 1120			
DRAWN BY: Lina.L	DATE: Jan 01, 2019	SCALE: 1:1	CONTACT: 1-404-691-6872
FILE: XTR-DKG-155F-UF.DWG		PRINTED:	

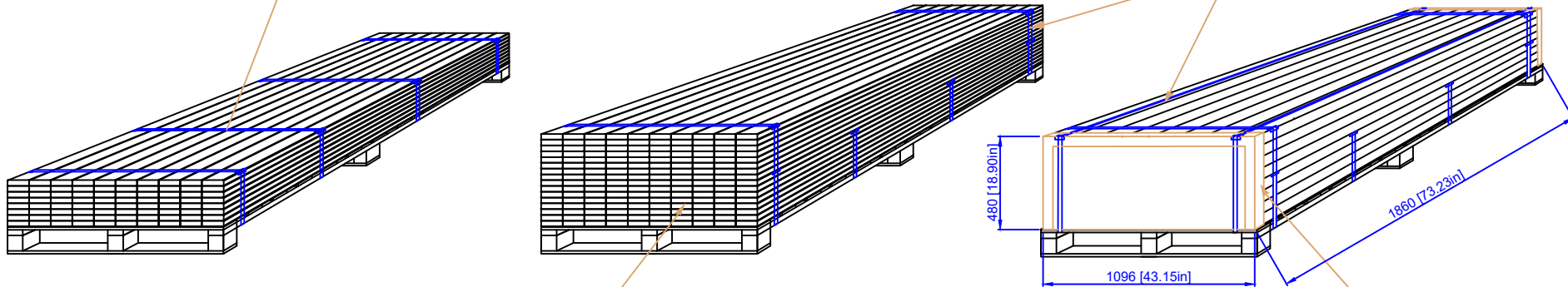
Thickness tolerance: ±1mm
Width tolerance: ±1mm
length tolerance: ±1mm



Layout: 10 rows / layer

There are 4 belts out of the pallet: after packaging the 4 belts, the wrap film is at least three layers and ensure full of the Slat.

There are 4 band in the middle of the pallet



Layout: 7 rows x 28 layers

Corner guard on each corner

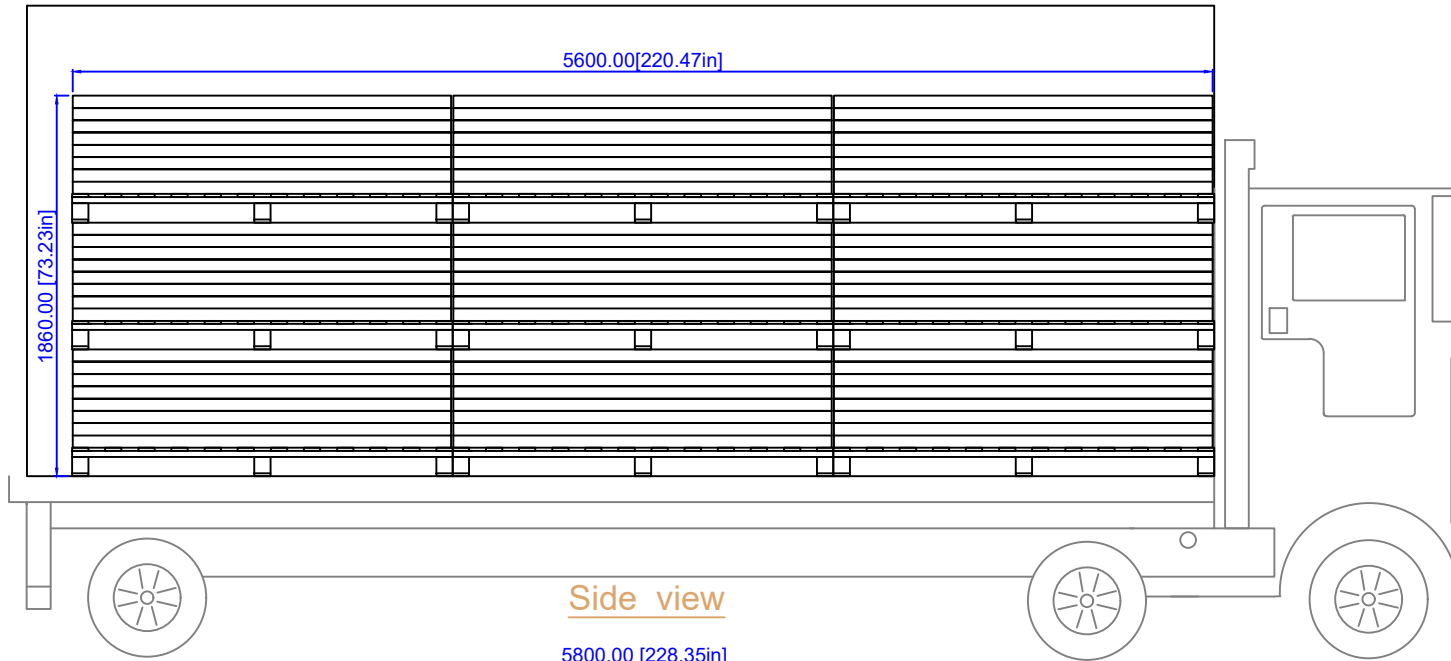
REVISOR BY: Lina.L	REVISION ON:
REVISION DATE:	
SAP V:	
dasso XTR	

PAGE NO.

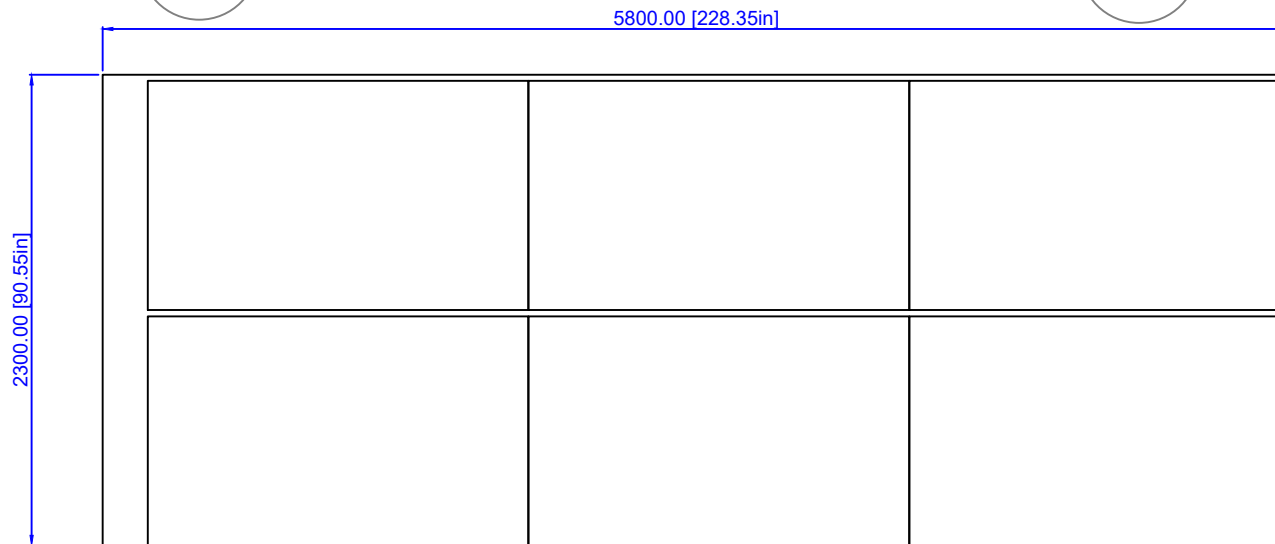
dassoXTR
Fused Bamboo® for Exterior Use

6080 Boat Rock Blvd SW
Atlanta, GA 30336
www.dassoxt.com
Tel: 1-404-691-6872

PRODUCT: XTR-DKG-155F-UF	Thickness tolerance: ±1mm
TITLE: Pallet Layout	Width tolerance: ±1mm
DRAWN BY: Lina.L DATE: Jan 01, 2019 SCALE: 1:1	length tolerance: ±1mm
CONTACT: 1-404-691-6872	
FILE: XTR-DKG-155F-UF.DWG	PRINTED:



Side view



Top view

REVISOR: Lina.L	REVISION: DATE:
SAP V:	
dasso XTR	

PAGE NO.:

dassoXTR
Fused Bamboo® for Exterior Use

6060 Boat Rock Blvd SW
Atlanta, GA 30336
www.dassoXtr.com
Tel: 1-404-691-6872

PRODUCT: XTR-DKG-155F-UF			
TITLE: 20' Container Loading—18 Pallet Max			
DRAWN BY: Lina.L	DATE: Jan 01, 2019	SCALE: 1:1	CONTACT: 1-404-691-6872
FILE: XTR-DKG-155F-UF.DWG		PRINTED:	

Dimensions: Interior