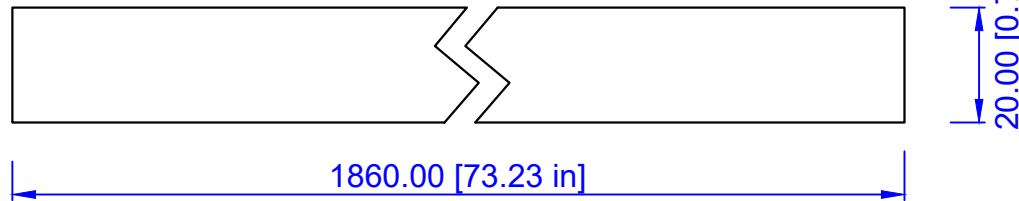
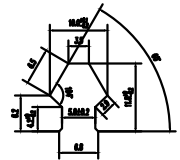
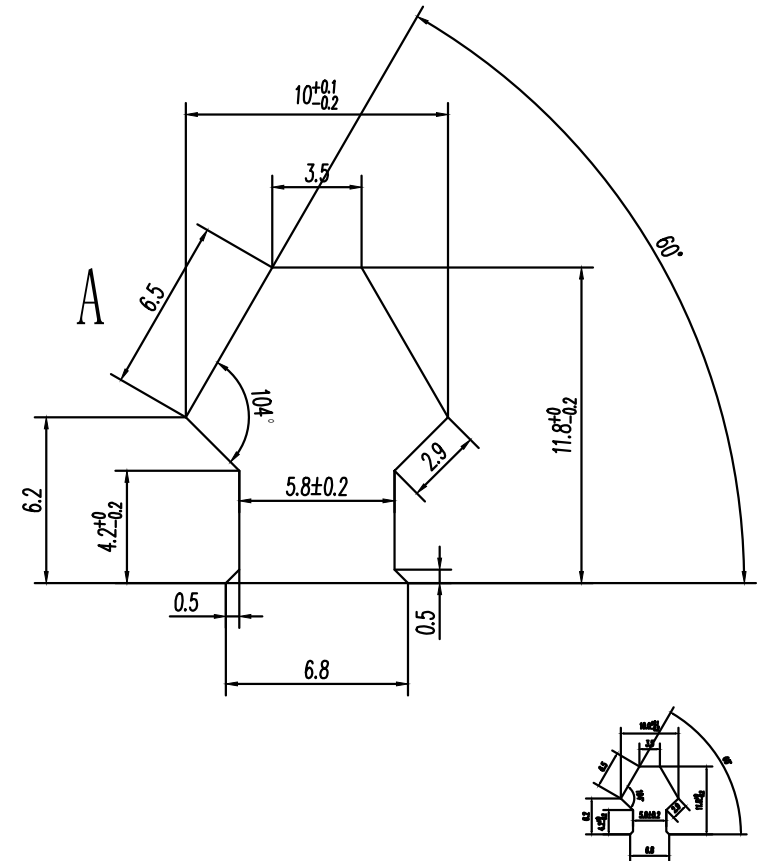


Short side outline: 20mm X 155mm



Long side outline: 20mm X 1860mm



REVISED BY: Lina.L  
REVISED DATE:

PAGE NO:



6060 Boat Rock Blvd SW  
Atlanta, GA 30336  
www.dassoxtr.com  
Tel: 1-404-691-6872

PRODUCT: XTR-DKG-155F-UF

TITLE: Profile

DRAWN BY: Lina.L DATE: Jan 01, 2019 SCALE: 1:1 CONTACT: 1-404-691-6872

FILE: XTR-DKG-155F-UF.DWG

Thickness tolerance:  $\pm 0.2$ mm

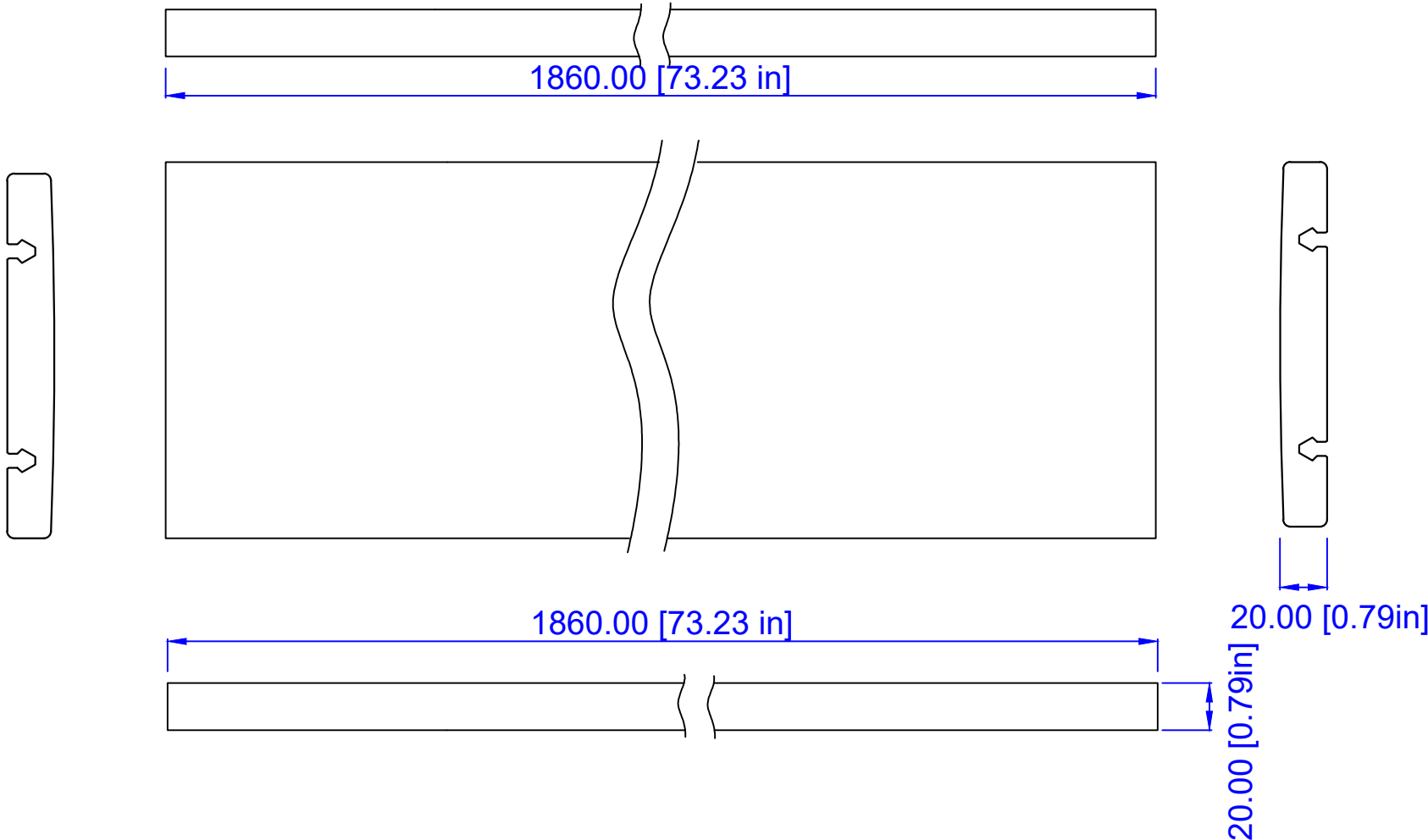
Width tolerance:  $\pm 0.2$ mm

length tolerance:  $\pm 1$ mm

SAP V:

dasso XTR

PRINTED:



REVISED BY: Lina.L	REVISE ON: REVISED DATE:
SAP V: dasso XTR	

PAGE NO:



PRODUCT: XTR-DKG-155F-UF			
TITLE: Overview			
DRAWN BY: Lina.L	DATE: Jan 01, 2019	SCALE: 1:1	CONTACT: 1-404-691-6872
FILE: XTR-DKG-155F-UF.DWG		PRINTED:	

Thickness tolerance: ±0.2mm
Width tolerance: ±0.2mm
length tolerance: ±1mm