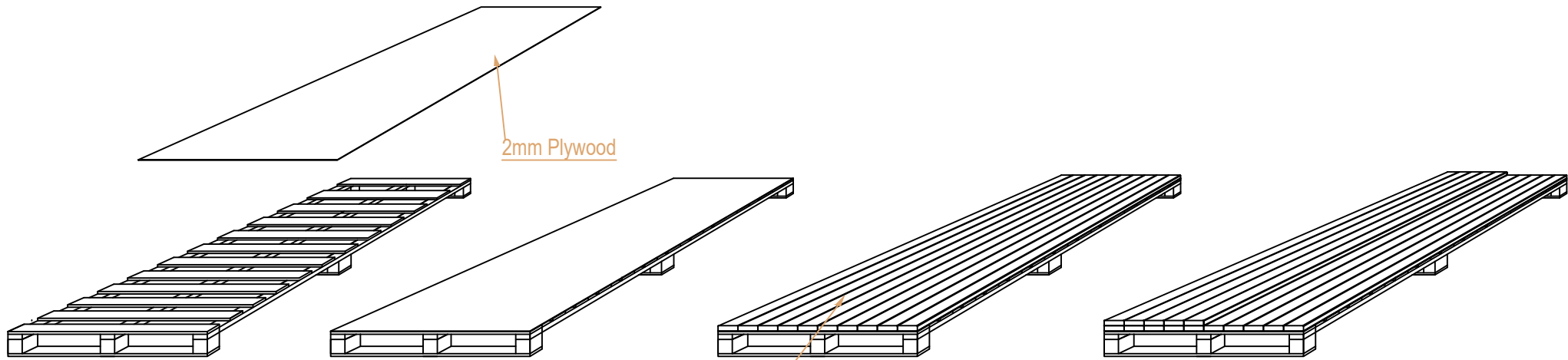


Front view

Back view

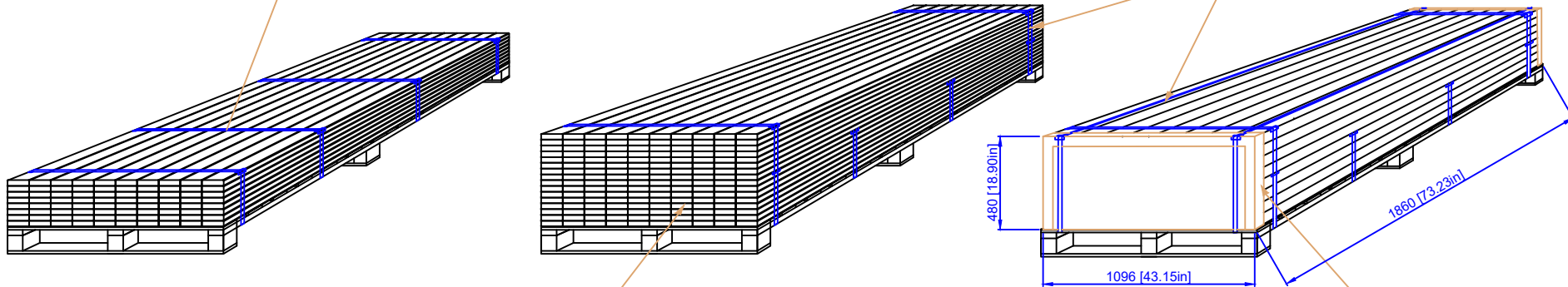
REVISED BY: Lina.L REVISED DATE:	REVISE ON:	PAGE NO:	dassoXTR <i>Fused Bamboo® for Exterior Use</i> <small>6080 Bozell Rock Blvd SW Atlanta, GA 30336 www.dassoxt.com Tel: 1-404-691-6872</small>	PRODUCT: XTR-LUM40-137F-PP	Thickness tolerance: ±0.2mm
SAP V: dasso XTR	TITLE: Bundle Dimension			Width tolerance: ±0.2mm	length tolerance: ±1mm
DRAWN BY: Lina.L DATE: Jan 01, 2018 SCALE: 1:1 CONTACT: 1-404-691-6872			FILE: XTR-LUM40-137F-PP.DWG	PRINTED:	



Layout: 10 rows / layer

There are 4 belts out of the pallet: after packaging the 4 belts, the wrap film is at least three layers and ensure full of the Slat.

There are 4 band in the middle of the pallet



Layout: 8 rows x 13 layers

Corner guard on each corner

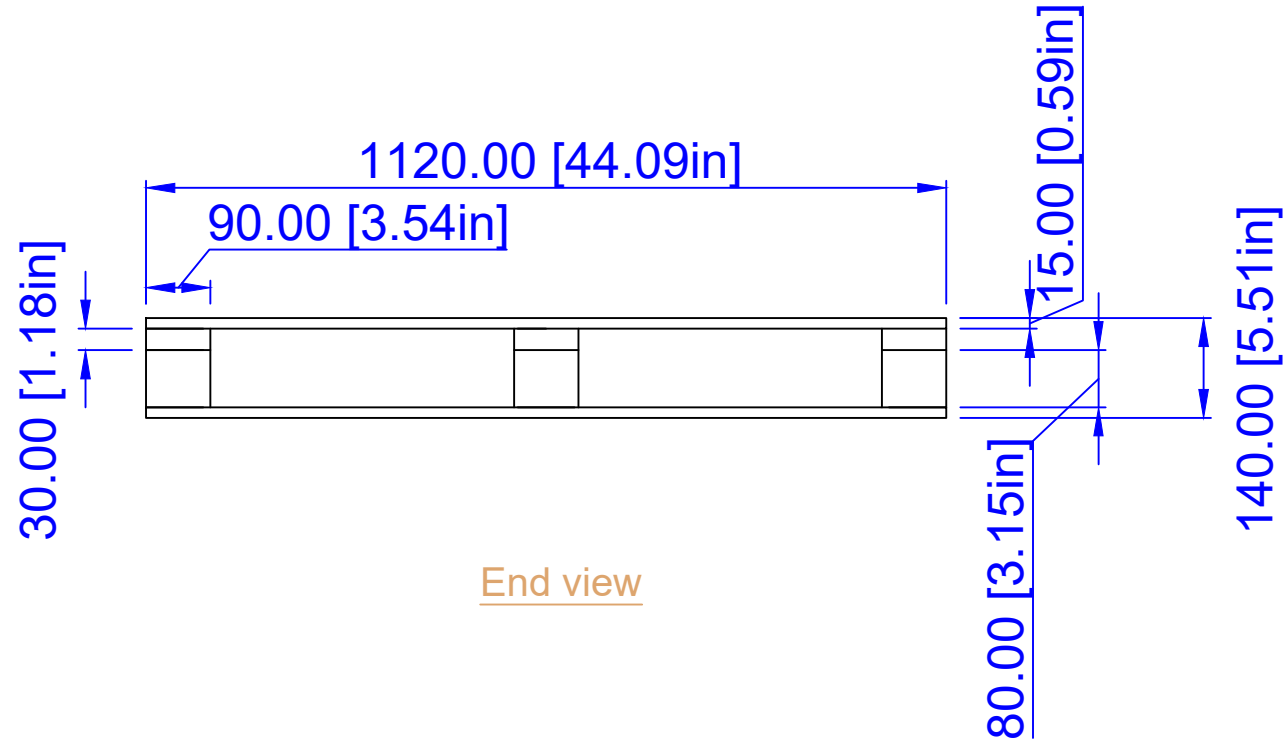
REVISOR BY: Lina.L	REVISOR ON:
REVISOR DATE:	
SAP V:	
dasso XTR	

PAGE NO.:

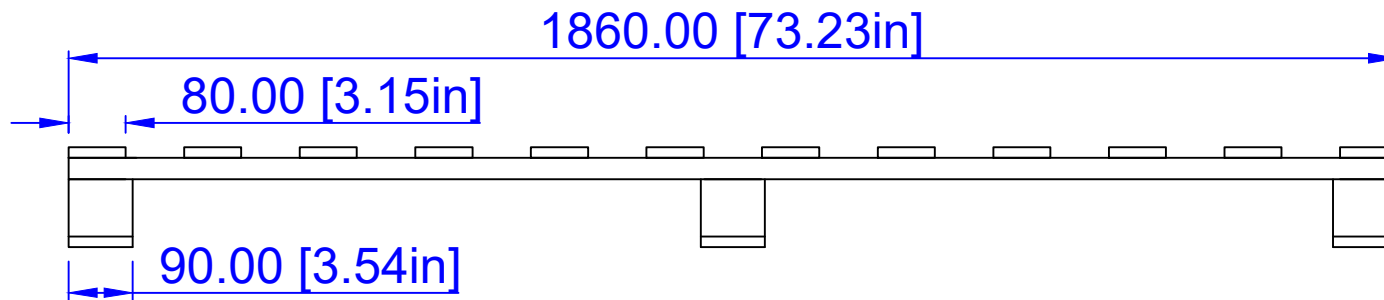
Fused Bamboo® for Exterior Use

6080 Boat Rock Blvd SW
Atlanta, GA 30336
www.dassoxt.com
Tel: 1-404-691-6872

PRODUCT: XTR-LUM40-137F-PP	Thickness tolerance: ±1mm
TITLE: Pallet Layout	Width tolerance: ±1mm
DRAWN BY: Lina.L DATE: Jan 01, 2019 SCALE: 1:1	length tolerance: ±1mm
CONTACT: 1-404-691-6872	
FILE: XTR-LUM40-137F-PP.DWG	PRINTED:



End view

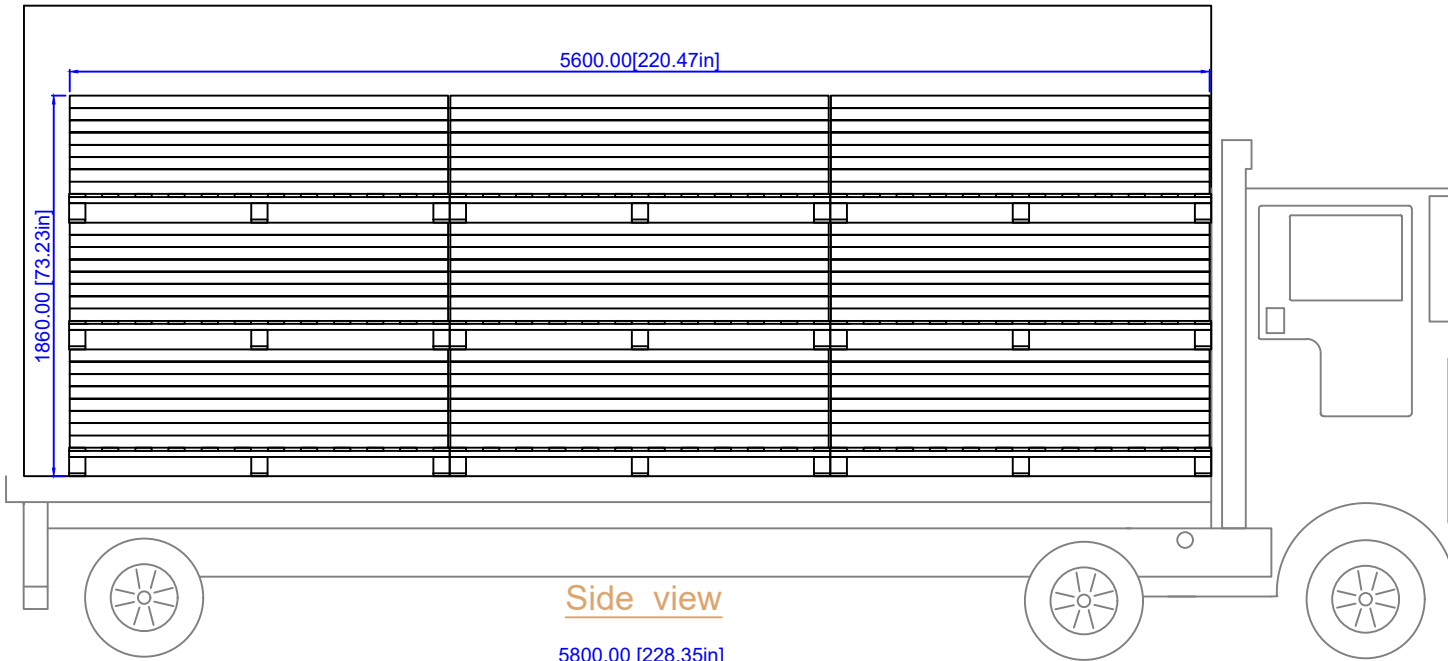


Side view

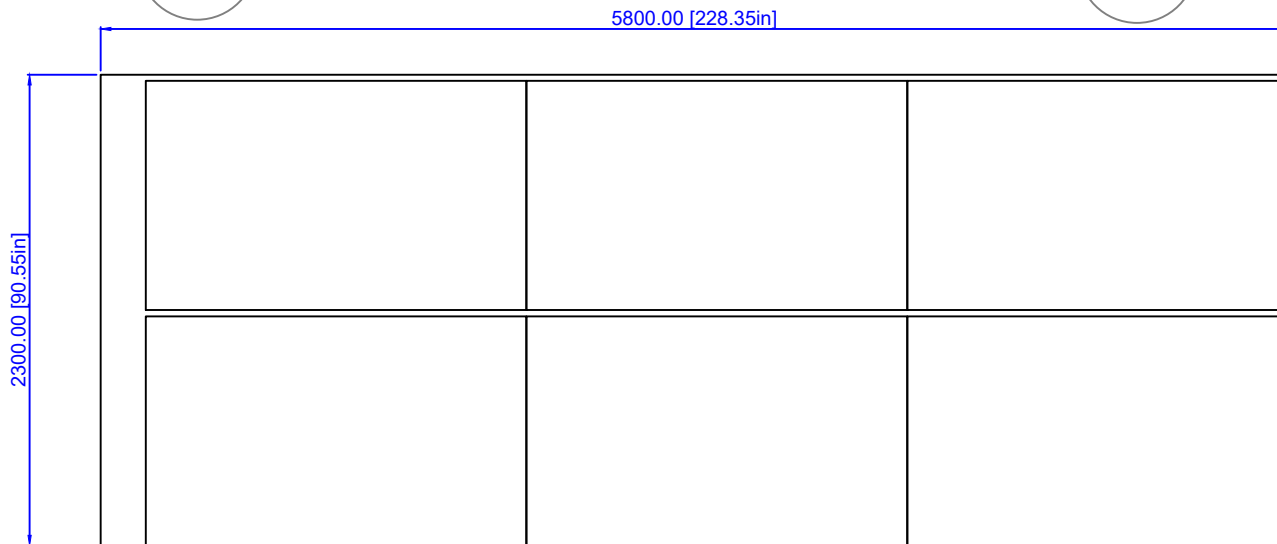
REVISED BY: Lina.L	REVISE ON:	PAGE NO.:	PRODUCT: Wood Pallet Type 1120			Thickness tolerance: ±1mm
REVISED DATE:			TITLE: Wood Pallet Type 1120			Width tolerance: ±1mm
SAP V.:			DRAWN BY: Lina.L	DATE: Jan 01, 2019	SCALE: 1:1	length tolerance: ±1mm
dasso XTR			FILE: XTR-LUM40-137F-PP.DWG	CONTACT: 1-404-691-6872	PRINTED:	



Fused Bamboo® for Exterior Use
6060 Boat Rock Blvd SW
Atlanta, GA 30336
www.dassoxt.com
Tel: 1-404-691-6872



Side view



Top view

REVISOR BY: Lina.L	REVISION ON:
REVISION DATE:	
SAP V:	
dasso XTR	

PAGE NO.:

dassoXTR
Fused Bamboo® for Exterior Use

6060 Boat Rock Blvd SW
Atlanta, GA 30336
www.dassoXtr.com
Tel: 1-404-691-6872

PRODUCT: XTR-LUM40-137F-PP			
TITLE: 20' Container Loading—18 Pallet Max			
DRAWN BY: Lina.L	DATE: Jan 01, 2019	SCALE: 1:1	CONTACT: 1-404-691-6872
FILE: XTR-LUM40-137F-PP.DWG		PRINTED:	

Dimensions: Interior