

REVISED BY: Lina.L
REVISOR DATE:

PAGE NO:



6060 Boat Rock Blvd SW
Atlanta, GA 30336
www.dassoxtf.com
Tel: 1-404-691-6872

PRODUCT: XTR-PW18-118F-PP

TITLE: Wood Pallet Type 1120

DRAWN BY: Lina.L DATE: April 12, 2021 SCALE: 1:1 CONTACT: 1-404-691-6872

FILE: XTR-PW18-118F-PP.dwg

PRINTED:

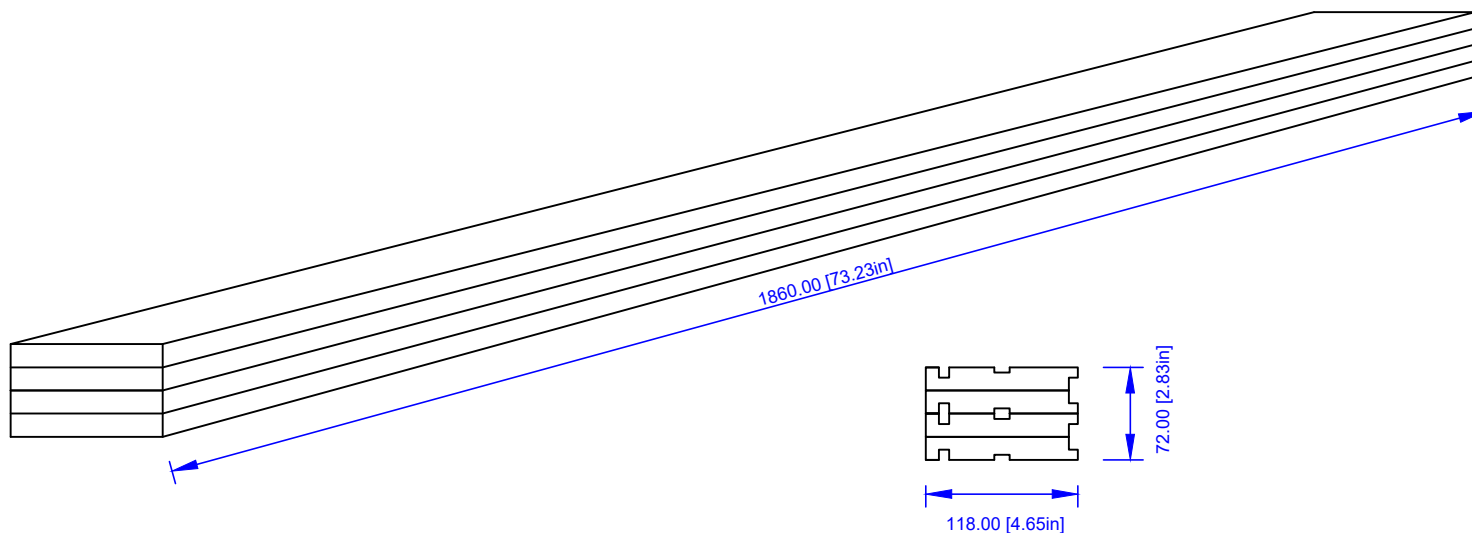
Thickness tolerance: ±0.2mm

Width tolerance: ±0.2mm


length tolerance: ±1mm

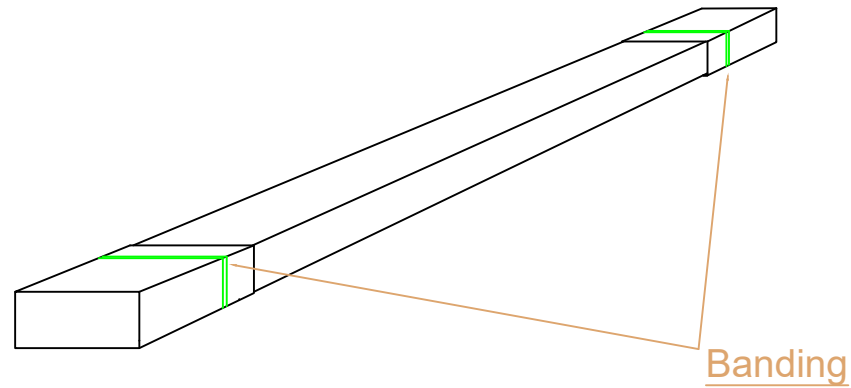
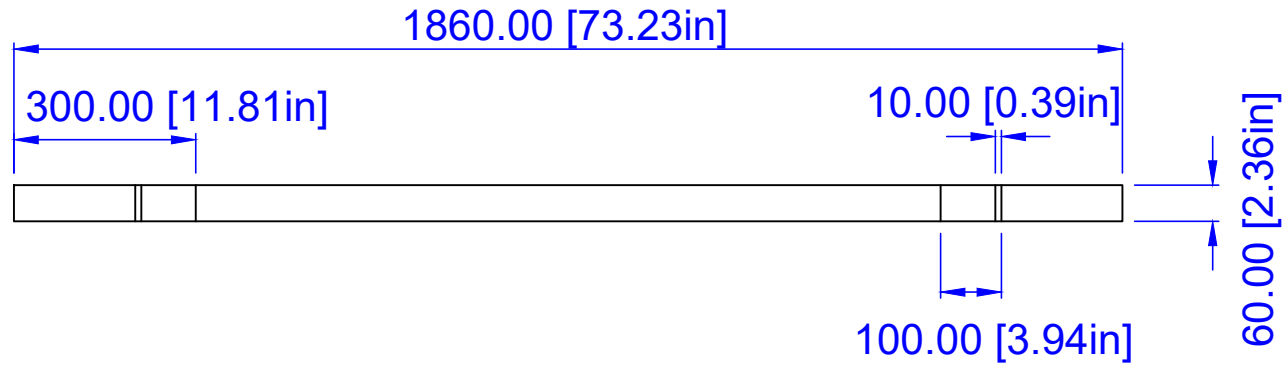
SAP V:

dasso XTR



Packaging layout: 1 rows X 4 layers, total 4 pcs

REVISIONS: Lina.L REVISION DATE:	REVISION ON: REVISION DATE:	PAGE NO.:	 dassoXTR Fused Bamboo® for Exterior Use <small>6060 Boat Rock Blvd SW Atlanta, GA 30338 www.dassoxtf.com Tel: 1-404-691-6872</small>	PRODUCT: XTR-PW18-118F-PP TITLE: Packaging Layout	Thickness tolerance: ±0.2mm Width tolerance: ±0.2mm length tolerance: ±1mm
SAP V: dasso XTR			DRAWN BY: Lina.L DATE: April 12, 2021 SCALE: 1:1 CONTACT: 1-404-691-6872	FILE: XTR-PW18-118F-PP.dwg PRINTED:	



REVISED BY: Lina.L
REVISED DATE:

PAGE NO:



SAP V:
dasso XTR

PRODUCT: XTR-PW18-118F-PP

TITLE: Bundle Dimension

DRAWN BY: Lina.L DATE: April 12, 2021 SCALE: 1:1 CONTACT: 1-404-691-6872

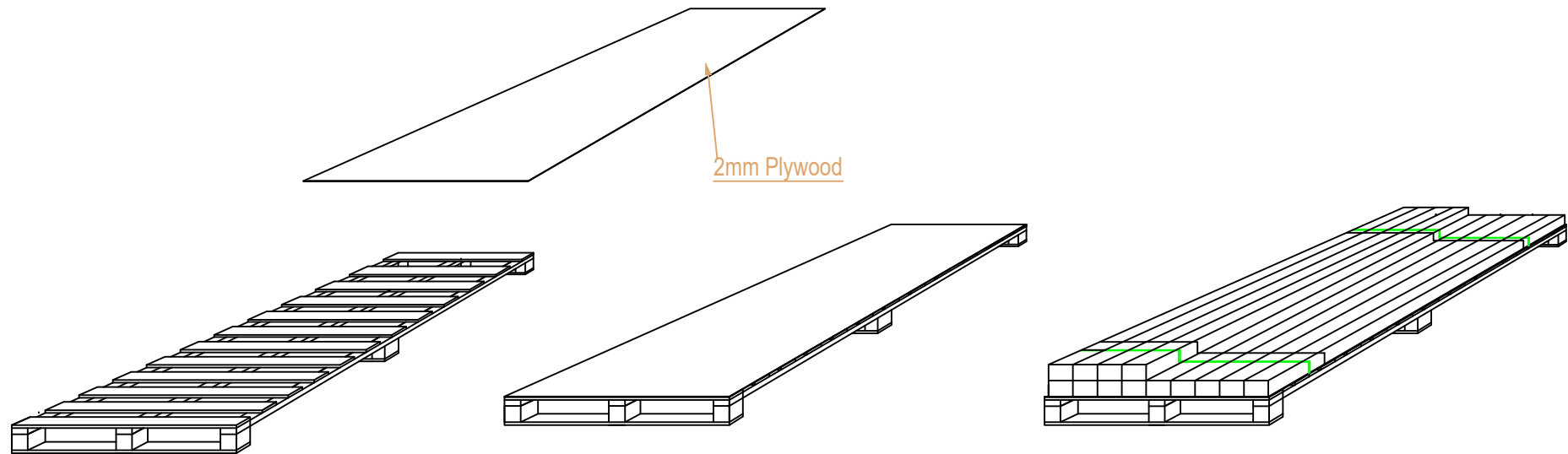
FILE: XTR-PW18-118F-PP.dwg

PRINTED:

Thickness tolerance: ± 0.2 mm

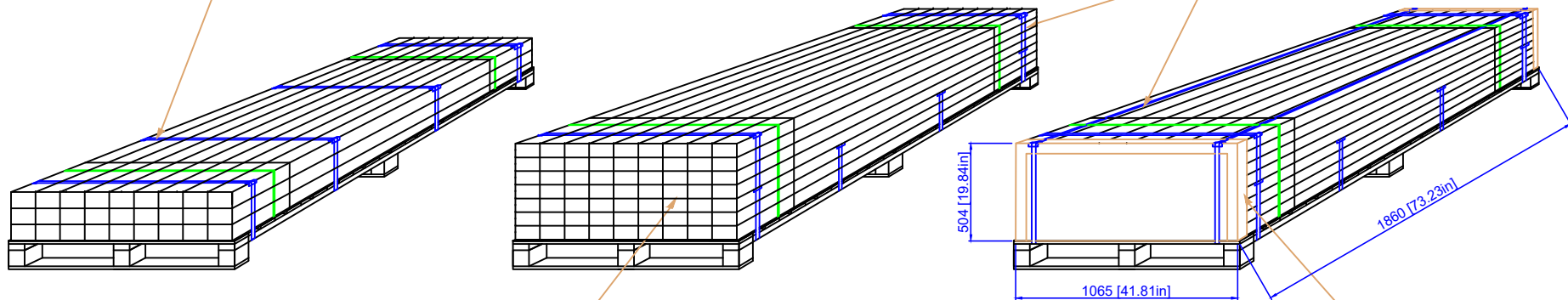
Width tolerance: ± 0.2 mm

length tolerance: ± 1 mm



There are 4 bands in the middle of the pallet

There are 4 belts out of the pallet: before packaging the 4 belts, the wrap film is at least three layers and ensure full of the decking.



Layout: 9 rows x 7 layers

Corner guard on each corner

REVISED BY: Lina.L
REVISOR DATE:

PAGE NO:



PRODUCT: XTR-PW18-118F-PP

TITLE: Pallet Layout

DRAWN BY: Lina.L DATE: April 12, 2021 SCALE: 1:1 CONTACT: 1-404-691-6872

FILE: XTR-PW18-118F-PP.dwg

PRINTED:

Thickness tolerance: $\pm 0.2\text{mm}$
Width tolerance: $\pm 0.2\text{mm}$
Length tolerance: $\pm 1\text{mm}$

SAP V:
dasso XTR